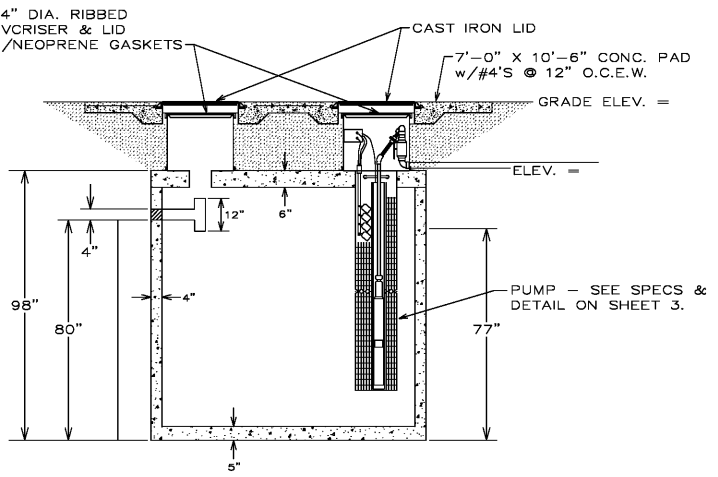
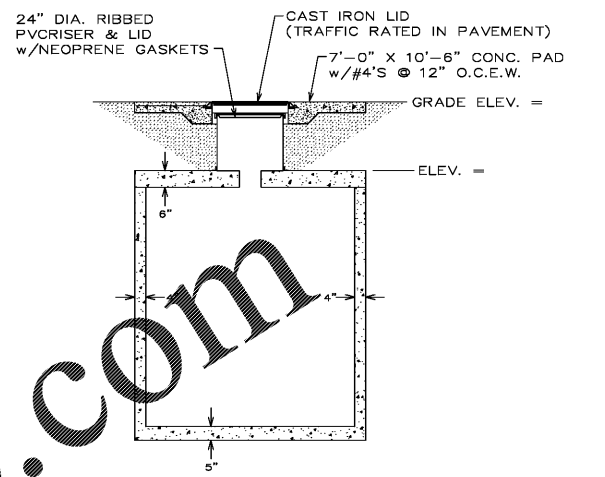


2,000 GAL. PUMP TANK - PLAN  
SCALE: 3/8" = 1'-0"

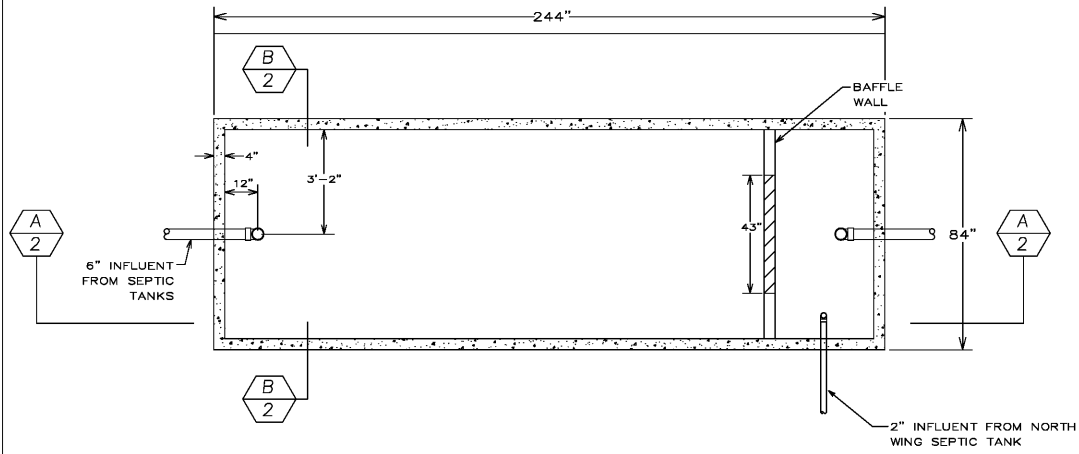
- NOTES:
1. PUMPS TO BE ORENCO MODEL NO. PE200512, 20 GPM @ 110 FT TDH, 0.5 HP, 240 V./2 P./1 PH.
  2. CONTROL PANEL TO BE ORENCO DUPLEX CONTROL PANEL DAX2 ETM, 240 V., 1 PH., WITH MOTOR STARTERS, CIRCUIT BREAKERS FOR CONTROLS AND PUMPS, HOA SWITCHES, AUDIBLE ALARM, VISUAL ALARM, DUPLEX ALTERNATOR, AUDIBLE ALARM SILENCE RELAY, AND ELAPSED TIME METERS.



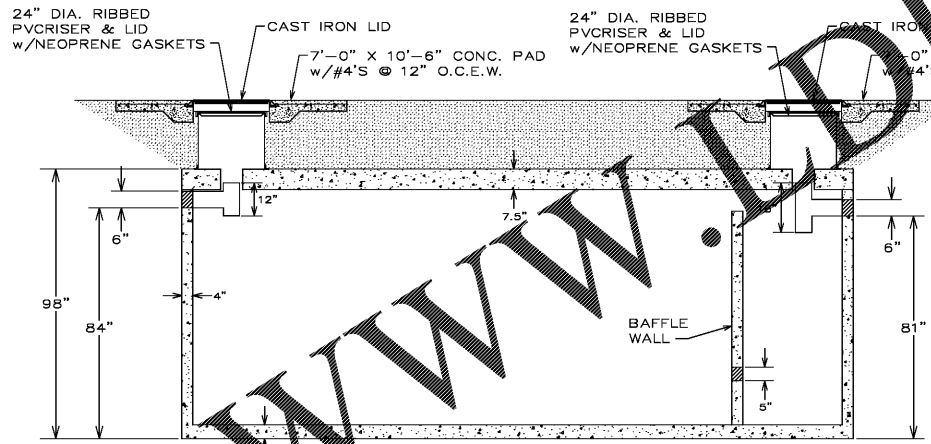
2,000 GAL. PUMP TANK - SECTION "A"  
SCALE: 3/8" = 1'-0"



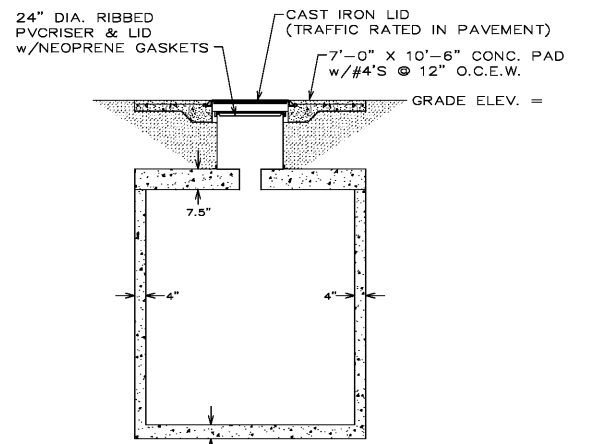
2,000 GAL. PUMP TANK - SECTION "B"  
SCALE: 3/8" = 1'-0"



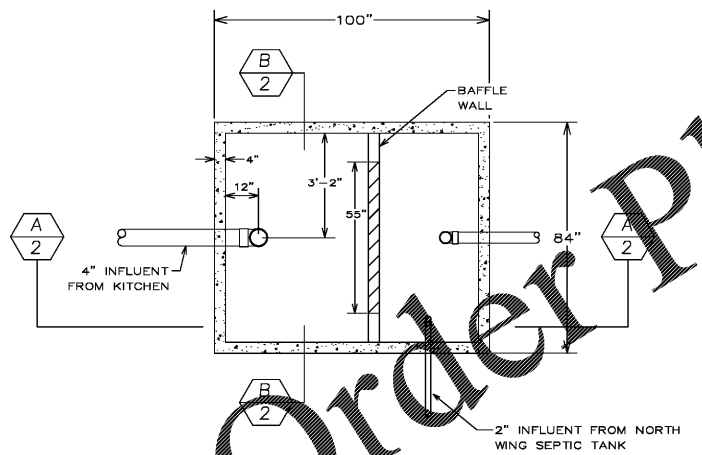
6,000 GAL. SEPTIC TANK - PLAN  
SCALE: 3/8" = 1'-0"



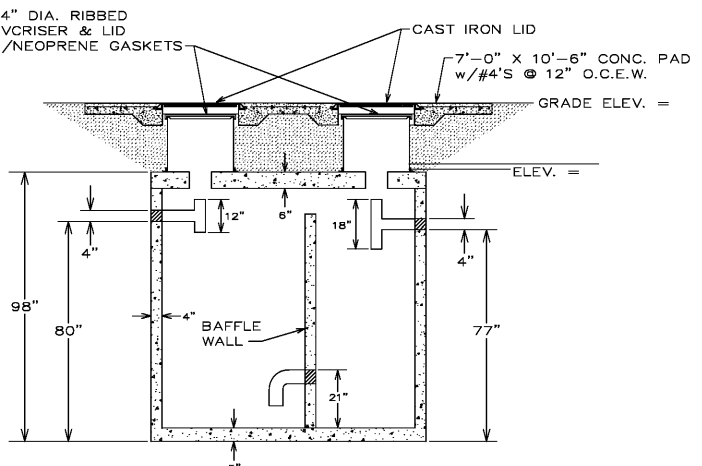
6,000 GAL. SEPTIC TANK - SECTION "A"  
SCALE: 3/8" = 1'-0"



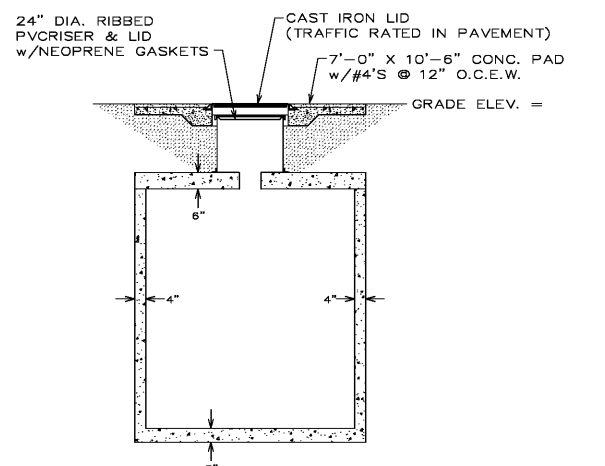
6,000 GAL. SEPTIC TANK - SECTION "B"  
SCALE: 3/8" = 1'-0"



2,000 GAL. GREASE TANK - PLAN  
SCALE: 3/8" = 1'-0"

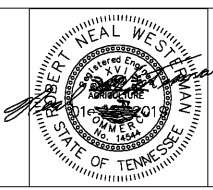


2,000 GAL. GREASE TANK - SECTION "A"  
SCALE: 3/8" = 1'-0"



2,000 GAL. GREASE TANK - SECTION "B"  
SCALE: 3/8" = 1'-0"

Order Plans @



**WESTERMAN ENGINEERING**  
Dickson, Tennessee 37055  
PH: 615-375-6054 www.westengr.com

Ashland City Hampton Inn  
Cheatham County, TN  
TANK PLANS AND SECTIONS

DESIGN	DRAWN	CHECKED	SHEET
RNW	TWR	RNW	2
DATE	SCALE	PROJECT NO.	
NOV. 2018	NONE	18167	