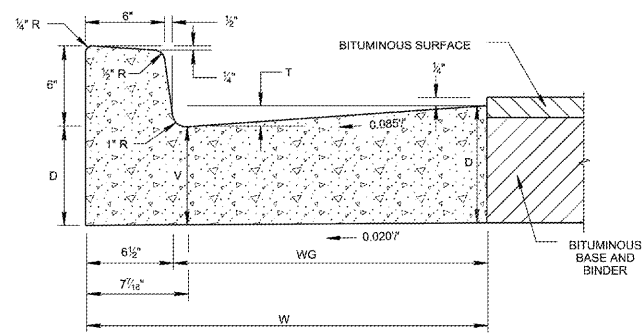


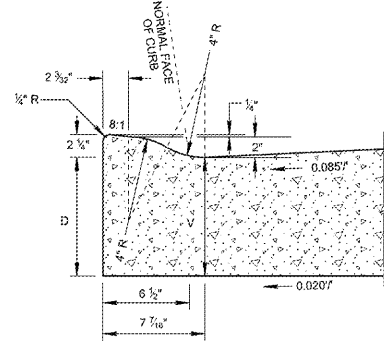
6/28/2018 8:15:06 AM P:\StandDraw\DESIGN STANDARDS\Library\Standard Roadway Drawings\Roadway and Pavement Appurtenances\Curb\Draft\RPVC10-20180515.dgn



6" CONCRETE COMBINED CURB AND GUTTER

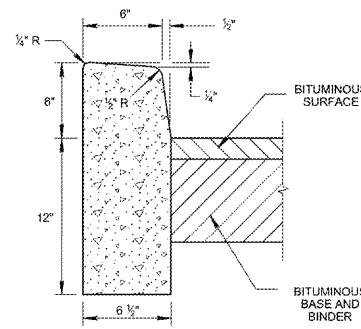
TYPE	TOTAL WIDTH (W) IN INCHES	WIDTH OF GUTTER (WG) IN INCHES	VERTICAL DROP (T) IN INCHES	VERTICAL DEPTH (D) OF GUTTER	VERTICAL DEPTH (V) OF GUTTER AT FLOW LINE
6-30	30	23 1/2	2	AS NOTED ON TYPICAL X-SECTIONS	D - 1.53"
6-36	36	29 1/2	2 1/2		D - 1.91"
6-42	42	35 1/2	3		D - 2.29"

VERTICAL DEPTH (V) MUST ALWAYS EXCEED SIX (6) INCHES



LOWERED CONCRETE CURB

- LOWERED CONCRETE CURB NOTES**
- (L1) TO BE BUILT AS COMBINED CURB AND GUTTER, DETACHED CURB OR INTEGRAL CURB AS NOTED ON THE PLANS OR AS DIRECTED BY THE ENGINEER.
 - (L2) FOR DETACHED CURB, OMIT RADIUS AT FLOW LINE.
 - (L3) TO BE USED FOR PROPOSED RAMP OPENINGS.



6" DETACHED CONCRETE CURB

HEIGHT OF CURB	CUBIC YARD PER LINEAL FOOT
LOWERED CURB	0.0253
6"	0.02950

HEIGHT OF CURB	DEPTH (D) OF GUTTER IN INCHES	TOTAL WIDTH (W) IN INCHES	CUBIC YARDS PER LINEAR FOOT	DEPTH (D) OF GUTTER IN INCHES	TOTAL WIDTH (W) IN INCHES	CUBIC YARDS PER LINEAR FOOT	DEPTH (D) OF GUTTER IN INCHES	TOTAL WIDTH (W) IN INCHES	CUBIC YARDS PER LINEAR FOOT	DEPTH (D) OF GUTTER IN INCHES	TOTAL WIDTH (W) IN INCHES	CUBIC YARDS PER LINEAR FOOT	DEPTH (D) OF GUTTER IN INCHES	TOTAL WIDTH (W) IN INCHES	CUBIC YARDS PER LINEAR FOOT
LOWERED CURB	8	30	0.05711	9	30	0.06483	10	30	0.07254	11	30	0.08026	12	30	0.08799
	8	36	0.07085	9	36	0.08011	10	36	0.08934	11	36	0.09857	12	36	0.10786
	8	42	0.08409	9	42	0.09631	10	42	0.10711	11	42	0.11791	12	42	0.12872
6"	8	30	0.06409	9	30	0.07181	10	30	0.07953	11	30	0.08724	12	30	0.09496
	8	36	0.07780	9	36	0.08709	10	36	0.09632	11	36	0.10558	12	36	0.11484
	8	42	0.09151	9	42	0.10329	10	42	0.11409	11	42	0.12489	12	42	0.13570

D -	VERTICAL DEPTH OF GUTTER
T -	VERTICAL DROP IN GUTTER FROM FRONT EDGE TO FACE OF CURB
V -	VERTICAL DEPTH OF GUTTER AT FLOW LINE
W -	TOTAL WIDTH OF COMBINED CURB AND GUTTER
WG -	WIDTH OF GUTTER

- GENERAL NOTES**
- (A) FOR SPECIFICATIONS SEE "STANDARD SPECIFICATIONS FOR ROAD AND BRIDGE CONSTRUCTION" OF THE TENNESSEE DEPARTMENT OF TRANSPORTATION, SECTION 702 - CEMENT CONCRETE CURB, GUTTER AND COMBINED CURB AND GUTTER.
 - (B) THE FRONT FACE OF THE CONCRETE CURB FOR ALL DEGREES OF CURVATURE SHALL CONFORM TO THE CONTOUR OF THE CURVE. NO CHORD SECTIONS WILL BE PERMITTED.
 - (C) CONCRETE EXPANSION JOINT MATERIAL TO BE 3/4" PRE-MOLDED FIBER IN ACCORDANCE WITH SECTION 905. MATERIALS OF THE STANDARD SPECIFICATIONS.
 - (D) EXPANSION JOINTS ARE TO BE PLACED AS FOLLOWS:
 1. AT TANGENT POINTS OF CIRCULAR CURBS.
 2. BETWEEN CURBS AND ABUTTING RIGID OBJECTS.
 3. AT OTHER PLACES WHERE STRESSES MAY DEVELOP.
 4. TO LINE UP WITH PAVEMENT JOINTS WHERE THE ADJACENT PAVEMENT IS CONCRETE.
 5. THE MAXIMUM SPACING IS TO BE 100 FEET.
 - (E) CONTRACTION JOINTS ARE TO BE SPACED AT 10 FEET. THE SPACING OF 10 FEET MAY BE REDUCED FOR CLOSURES, BUT NOT LESS THAN 8 FEET.
 - (F) EDGES OF JOINTS SHALL BE FINISHED ON ONE-QUARTER INCH RADII.
 - (G) ALL COST OF JOINTS SHALL BE INCLUDED IN THE UNIT PRICE BID FOR CONCRETE CURBS AND CONCRETE CURBS AND GUTTERS.
 - (H) THE UNIT PRICE BID FOR CONCRETE CURB, CONCRETE CURB AND GUTTER AND CONCRETE PAVEMENT WILL INCLUDE ANY CIRCULAR SECTION REQUIRED TO BE BUILT CONFORMING TO SECTIONS SHOWN ON THIS SHEET.
 - (I) PAYMENT WILL BE AS FOLLOWS:

ITEM NO.	702-01	CONCRETE CURB, PER CUBIC YARD.
ITEM NO.	702-03	CONCRETE COMBINED CURB AND GUTTER, PER CUBIC YARD.

STATE OF TENNESSEE
DEPARTMENT OF
TRANSPORTATION

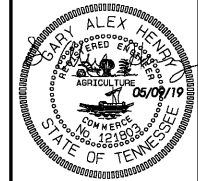
VERTICAL
CONCRETE CURBS
AND CONCRETE
CURBS AND GUTTERS
05-15-18 RP-VC-10

Order Plans

WWW.DILine.com

PERMIT SET - NOT FOR BIDDING OR CONSTRUCTION

330 North 2nd Street
P.O. Box 949
Clarksville, TN 37041-0949
P: (931) 647-6959 • F: (931) 647-7135
www.dbseng.com
est. 1988
DBS & Associates Engineering
Engineers • Surveyors • Planners



HAMPTON INN
GENERAL SITE DETAILS
TN HWY12, ASHLAND CITY
CHEATHAM COUNTY, TENNESSEE

NO.	ISSUED	DATE
1	PERMIT SET - IDEC	05/31/19
2	PERMIT SET - ASHLAND CITY	05/09/19

THIS DRAWING IS THE PROPERTY OF DBS & ASSOCIATES ENGINEERING, INC. AND IS NOT TO BE REPRODUCED OR COPIED IN WHOLE OR IN PART WITHOUT AUTHORIZATION FROM DBS & ASSOCIATES ENGINEERING, INC. IT IS TO BE USED FOR THE PROJECT AND IS NOT TO BE REPRODUCED OR COPIED FOR ANY OTHER PROJECT. ALL DIMENSIONS AND SPACING SHOWN ON THESE DRAWINGS ARE COPYRIGHT © OF DBS & ASSOCIATES ENGINEERING, INC.

DRAWN BY: D. THARPE
CHECKED BY: A. HENRY

C 7.08

PROJECT NO.	CC 66780
PROJECT DATE	11/28/18