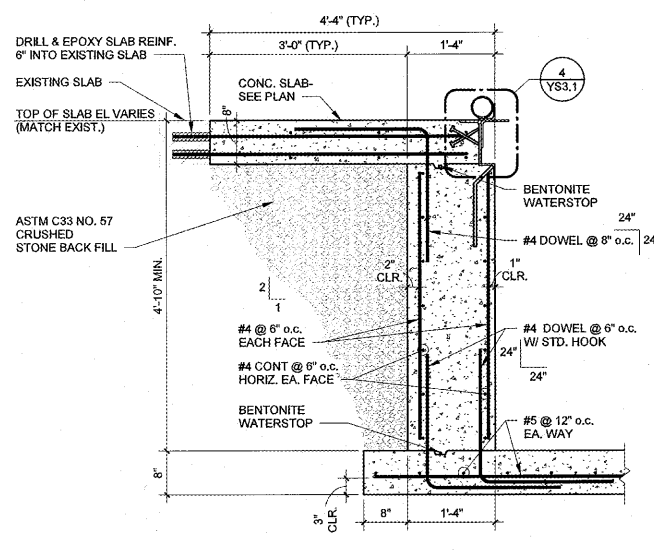
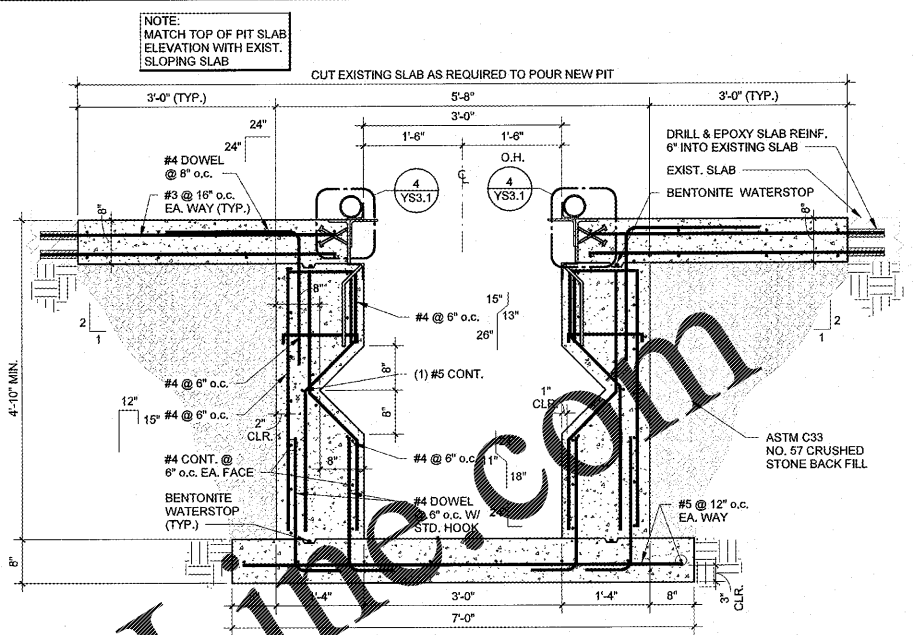


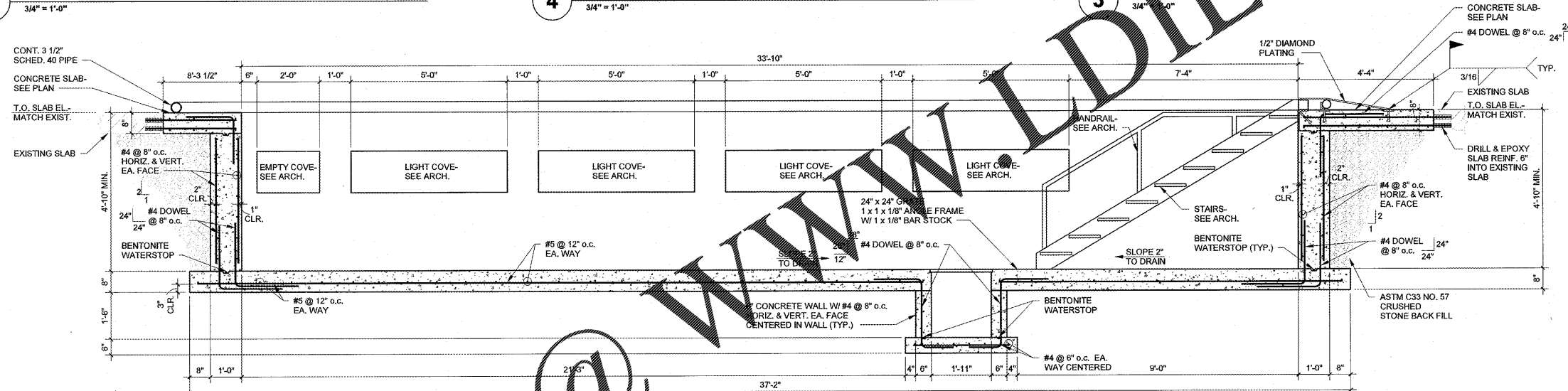
**5 SECTION**  
3/4" = 1'-0"



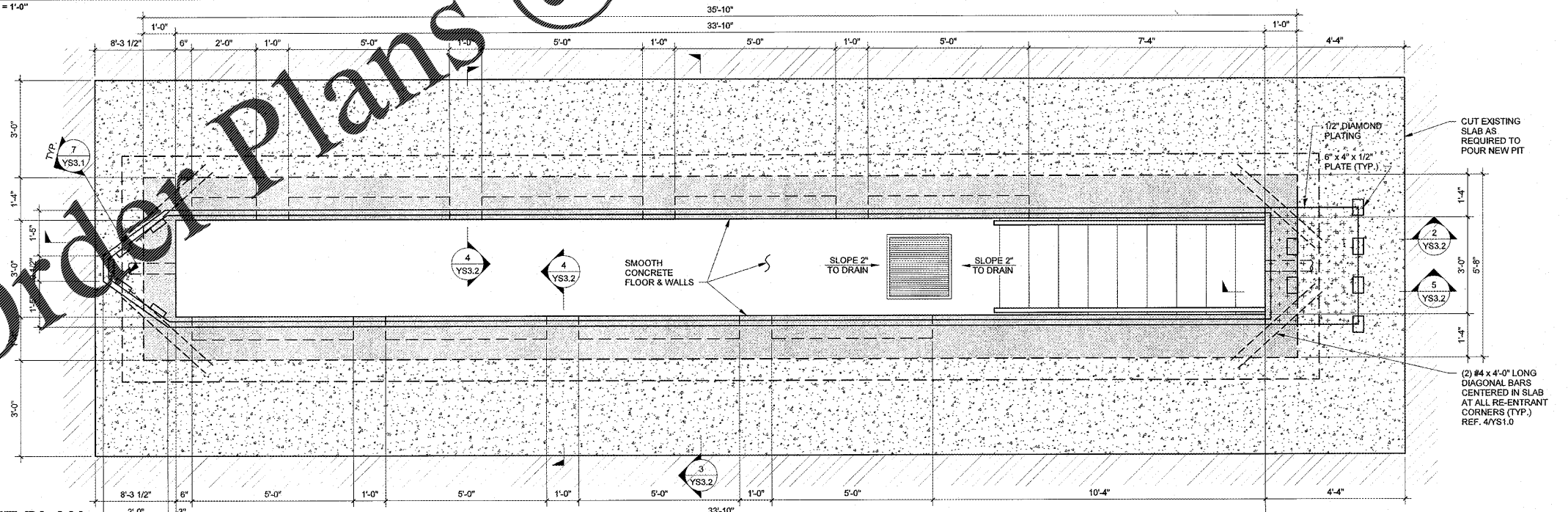
**4 SECTION**  
3/4" = 1'-0"



**3 SECTION**  
3/4" = 1'-0"



**2 LUBE PIT SECTION**  
1/2" = 1'-0"



**1 LUBE PIT PLAN**  
1/2" = 1'-0"

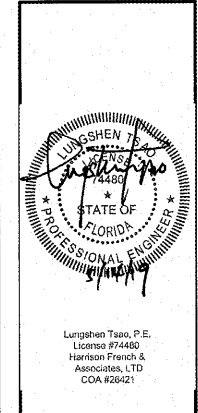
Order Plans @ [www.dilling.com](http://www.dilling.com)

STIPULATION FOR REUSE  
THESE DRAWINGS ARE THE PROPERTY OF HARRISON FRENCH & ASSOCIATES, LTD. AND ARE NOT TO BE REPRODUCED, COPIED, OR TRANSMITTED IN ANY FORM OR BY ANY MEANS, ELECTRONIC OR MECHANICAL, INCLUDING PHOTOCOPYING, RECORDING, OR BY ANY INFORMATION STORAGE AND RETRIEVAL SYSTEM, WITHOUT THE WRITTEN PERMISSION OF HARRISON FRENCH & ASSOCIATES, LTD.

200 S KINGS HWY  
FORT PIERCE, FL 34945

SPEEDCO REBRANDING &  
LIGHT MECHANICAL ADDITION  
PROJECT NUMBER: 03-19-60467

**Love's**  
Travel Stop &  
Country Stores



ISSUE BLOCK


STORE NO. 467  
DOCUMENT DATE: 05/14/19  
CHECKED BY: LST  
DRAWN BY: JWK  
PROTO CYCLE:

LUBE PIT PLAN AND  
PIT DETAILS

SHEET: **YS3.2**