

STIPULATION FOR REUSE  
THIS DRAWING IS THE PROPERTY OF HARRISON FRENCH & ASSOCIATES, LTD. IT IS TO BE USED ONLY FOR THE PROJECT AND SITE SPECIFICALLY IDENTIFIED HEREON. IT IS NOT TO BE REPRODUCED, COPIED, REPRINTED, OR TRANSMITTED IN ANY FORM OR BY ANY MEANS, ELECTRONIC OR MECHANICAL, INCLUDING PHOTOCOPYING, RECORDING, OR BY ANY INFORMATION STORAGE AND RETRIEVAL SYSTEM, WITHOUT THE WRITTEN PERMISSION OF HARRISON FRENCH & ASSOCIATES, LTD.

200 S KINGS HWY  
FORT PIERCE, FL 34945

SPEEDCO REBRANDING &  
LIGHT MECHANICAL ADDITION  
PROJECT NUMBER: 03-19-0467

**Love's**  
Travel Stop &  
Country Stores

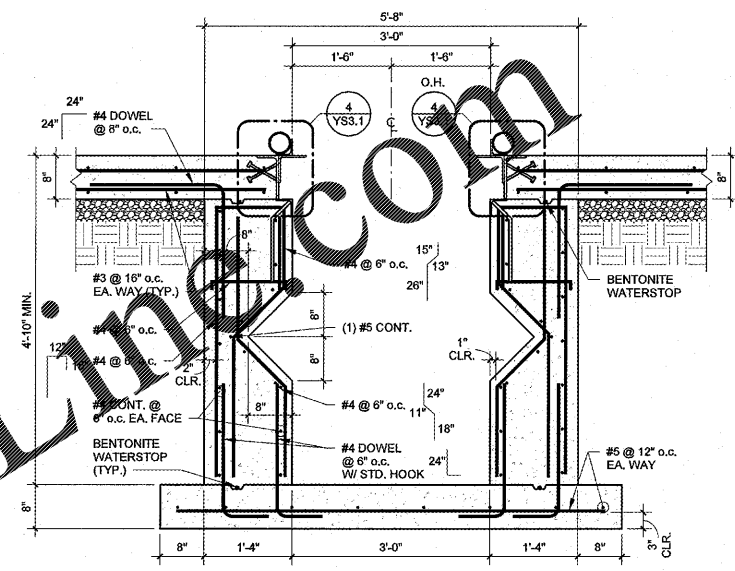
Professional Engineer  
Lungshen Tsao, P.E.  
License #74430  
Harrison French &  
Associates, LTD  
COA #28421

ISSUE BLOCK

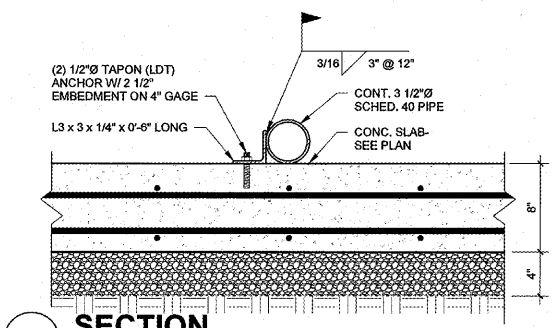

STORE NO. 467  
DOCUMENT DATE: 05/14/19  
CHECKED BY: LST  
DRAWN BY: JWK  
PROTO CYCLE:

LUBE PIT PLAN AND  
PIT DETAILS

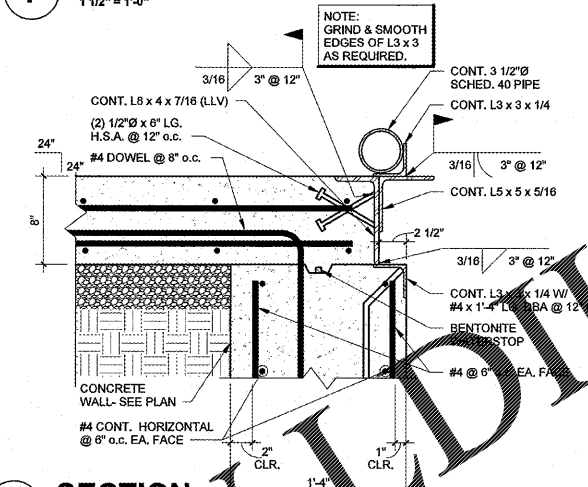
SHEET: **YS3.1**



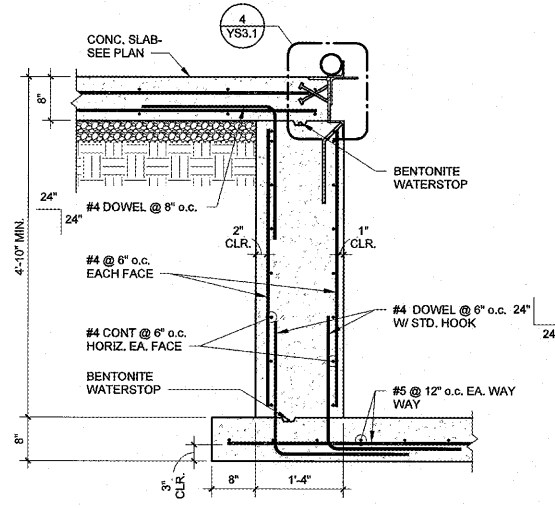
**3 SECTION**  
3/4" = 1'-0"



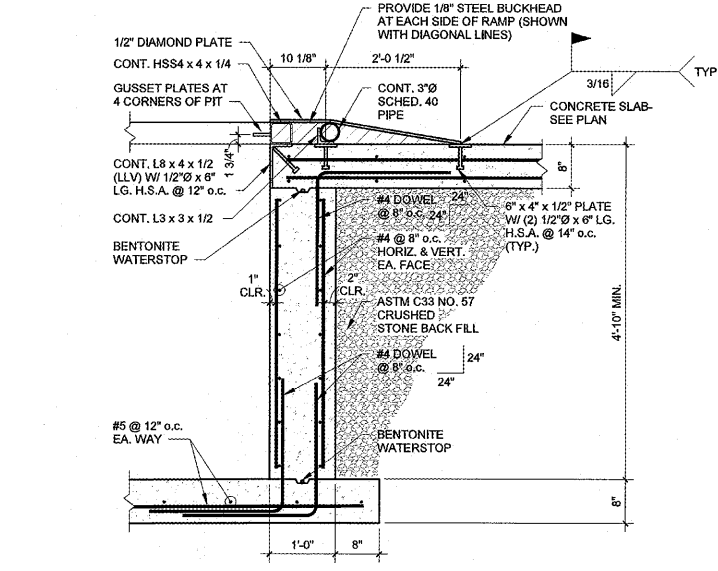
**7 SECTION**  
1 1/2" = 1'-0"



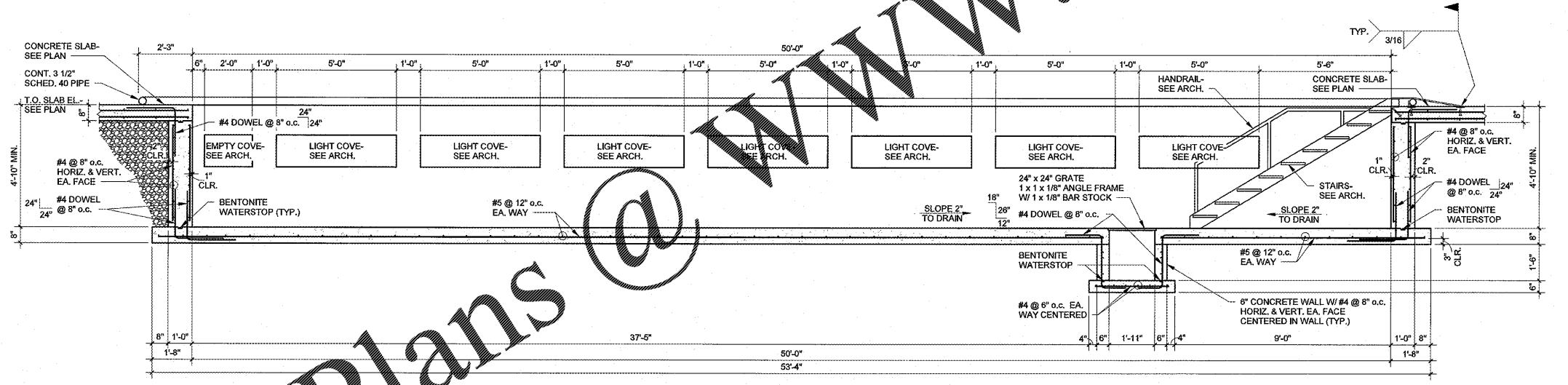
**4 SECTION**  
1 1/2" = 1'-0"



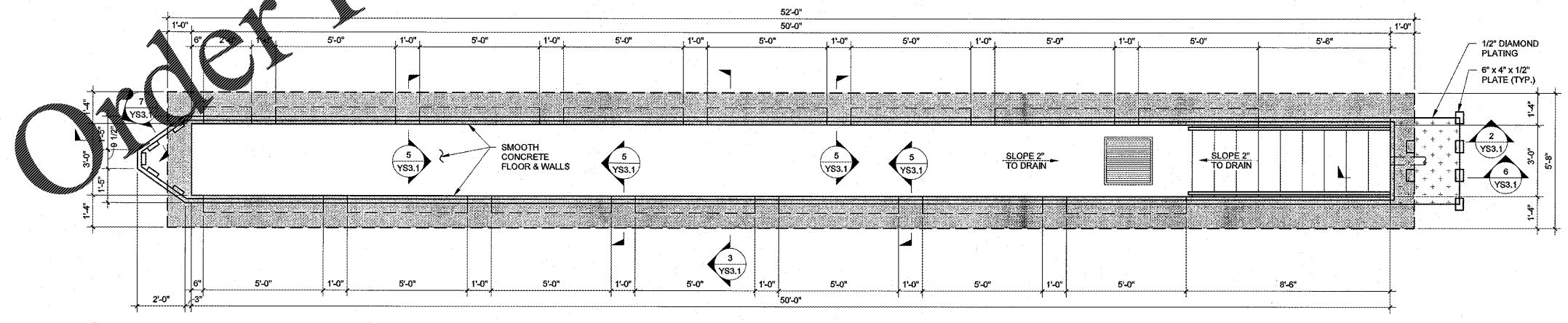
**5 SECTION**  
3/4" = 1'-0"



**6 SECTION**  
3/4" = 1'-0"



**2 LUBE PIT SECTION**  
3/8" = 1'-0"



**1 LUBE PIT PLAN**  
3/8" = 1'-0"

Order Plans @ [www.lidmilling.com](http://www.lidmilling.com)