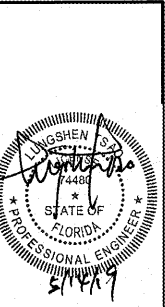


STIPULATION FOR REUSE
THE DRAWINGS AND SPECIFICATIONS ARE FOR THE PROJECT AND SITE ONLY. ANY REUSE OF ANY PART OF THESE DRAWINGS OR SPECIFICATIONS FOR ANY OTHER PROJECT WITHOUT THE WRITTEN CONSENT OF HARRISON FRENCH & ASSOCIATES, LTD IS PROHIBITED. ANY REUSE OF ANY PART OF THESE DRAWINGS OR SPECIFICATIONS FOR ANY OTHER PROJECT WITHOUT THE WRITTEN CONSENT OF HARRISON FRENCH & ASSOCIATES, LTD IS PROHIBITED.

200 S KINGS HWY
FORT PIERCE, FL 34945
SPEEDCO REBRANDING &
LIGHT MECHANICAL ADDITION
PROJECT NUMBER: 03-19-00467

Love's
Travel Stop &
Country Stores



Longshen Tang, P.E.
License #71448
Harrison French &
Associates, LTD
CCA #29421

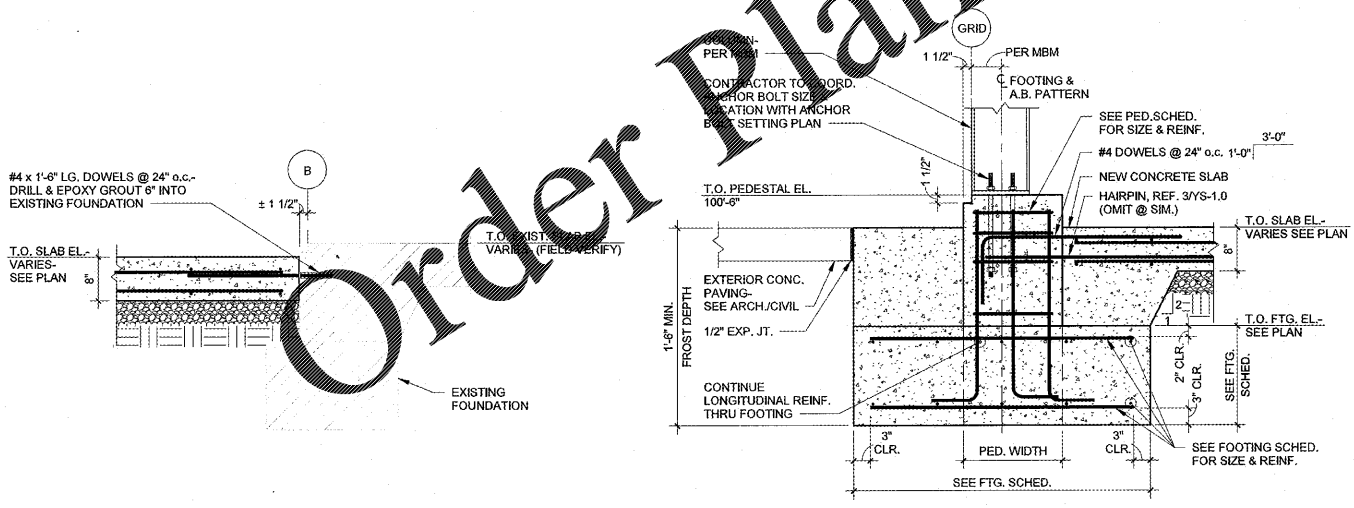
ISSUE BLOCK

STORE NO. 487
DOCUMENT DATE 05/14/19
CHECKED BY: LST
DRAWN BY: JWK
PROTO CYCLE:

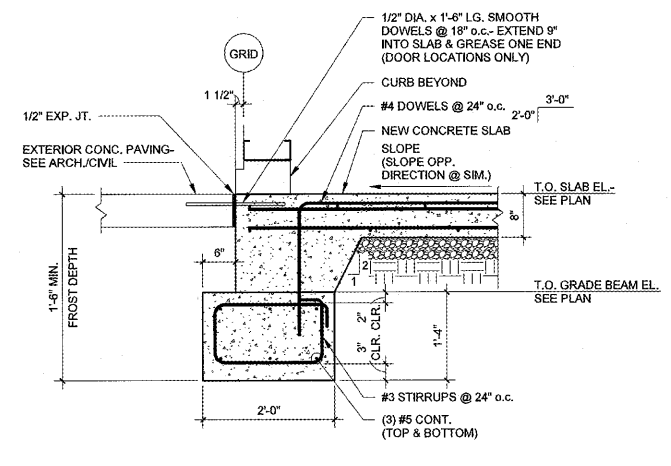
FOUNDATION
DETAILS

SHEET: **YS3.0**

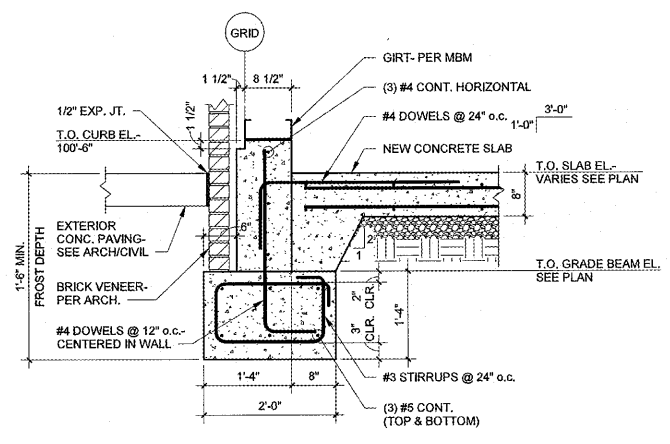
Order Plans @ www.LDILine.com



4 SECTION
3/4" = 1'-0"



2 SECTION
3/4" = 1'-0"



1 SECTION
3/4" = 1'-0"