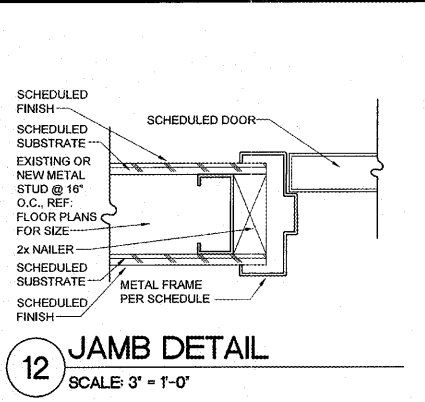
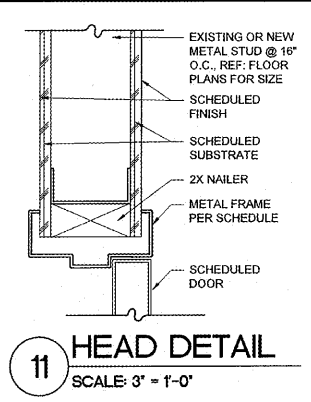


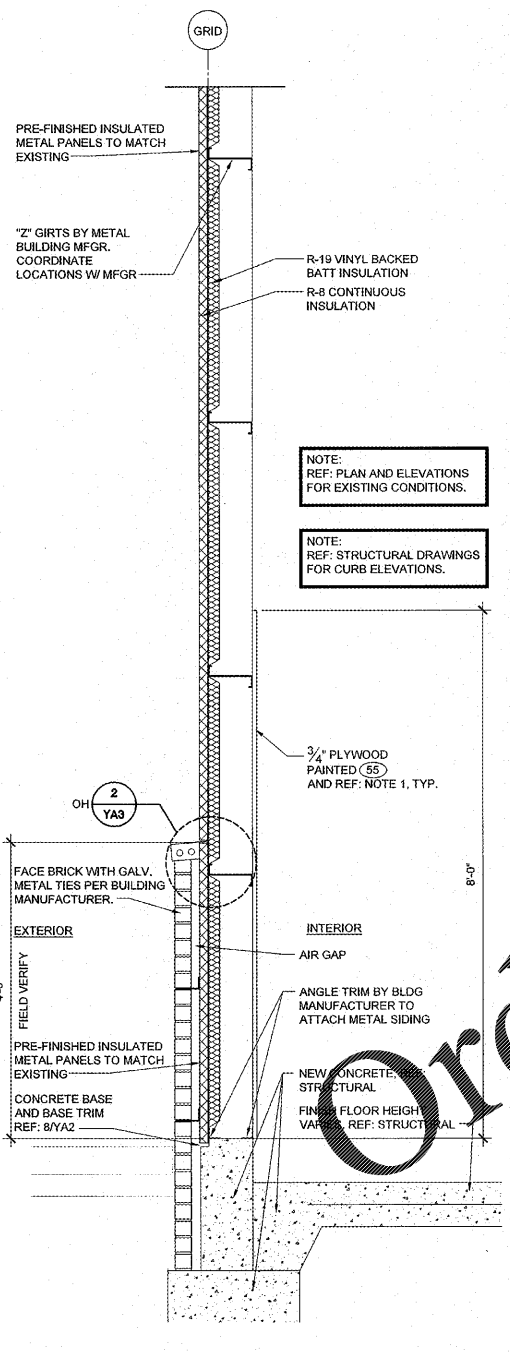
**13 PARTITION TYPES**  
SCALE: 1/2" = 1'-0"



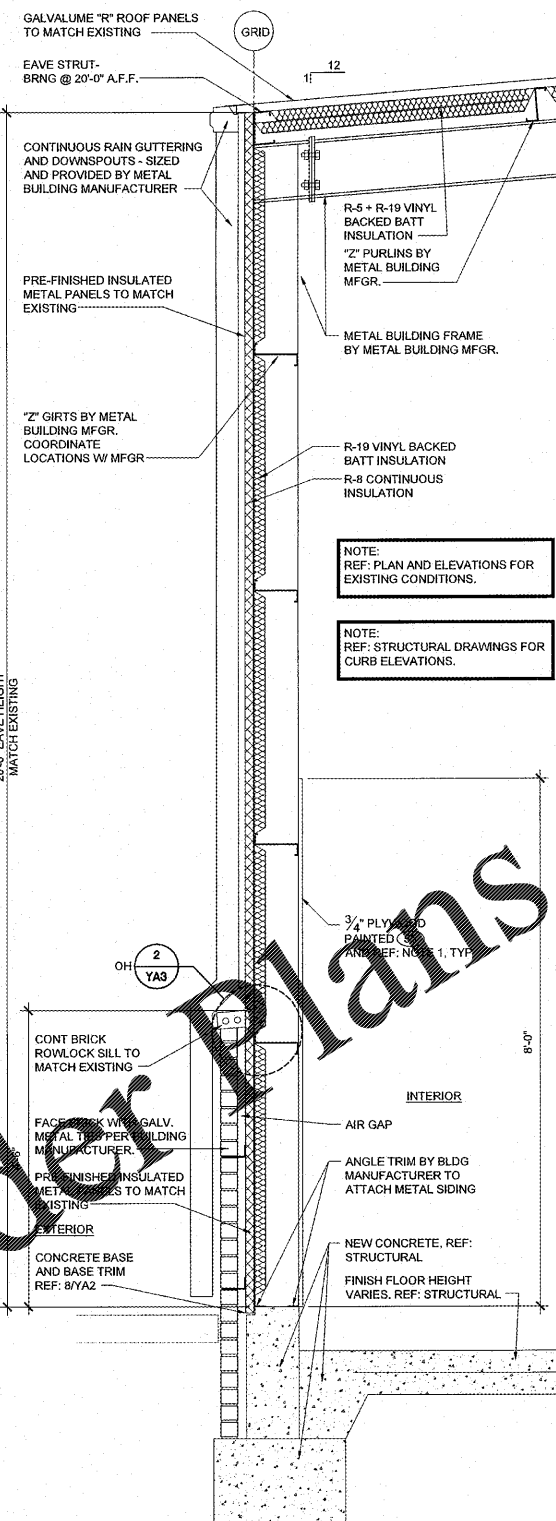
**12 JAMB DETAIL**  
SCALE: 3" = 1'-0"



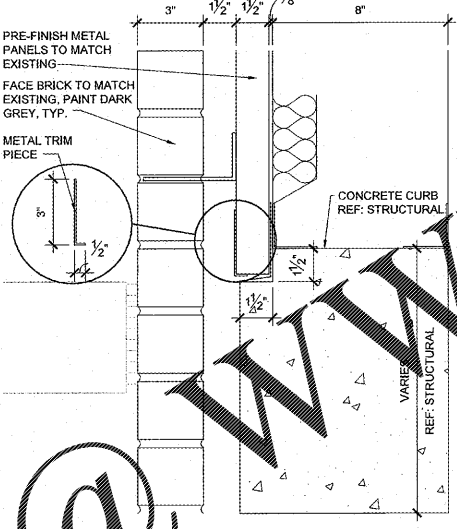
**11 HEAD DETAIL**  
SCALE: 3" = 1'-0"



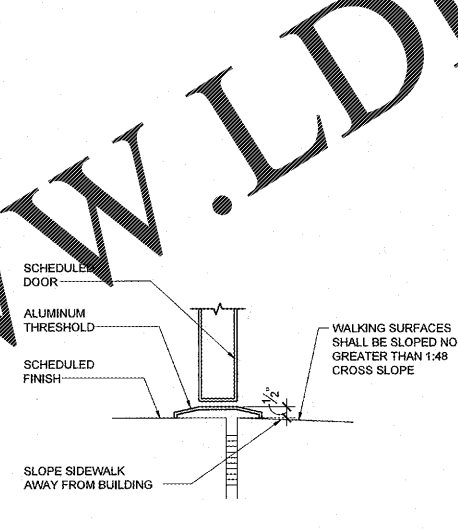
**10 WALL SECTION**  
SCALE: 3/4" = 1'-0"



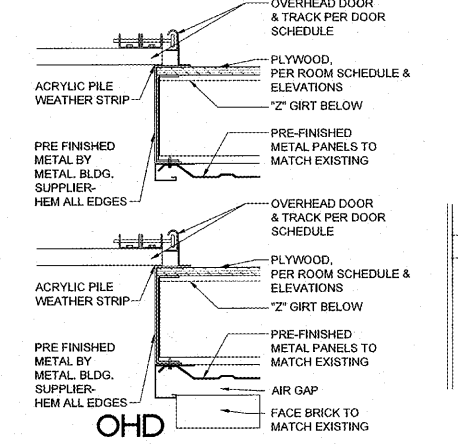
**9 WALL SECTION**  
SCALE: 3/4" = 1'-0"



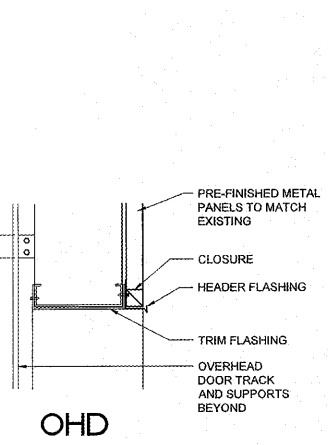
**8 BASE TRIM DETAIL**  
SCALE: 3" = 1'-0"



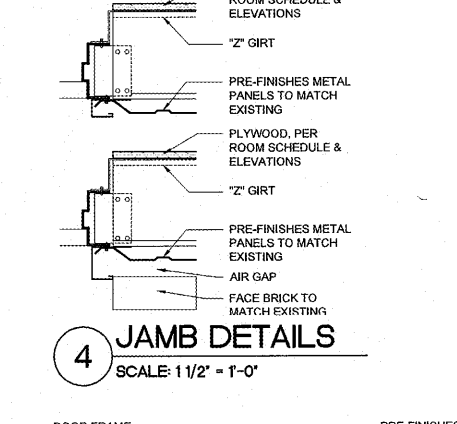
**7 THRESHOLD DETAIL**  
SCALE: 3" = 1'-0"



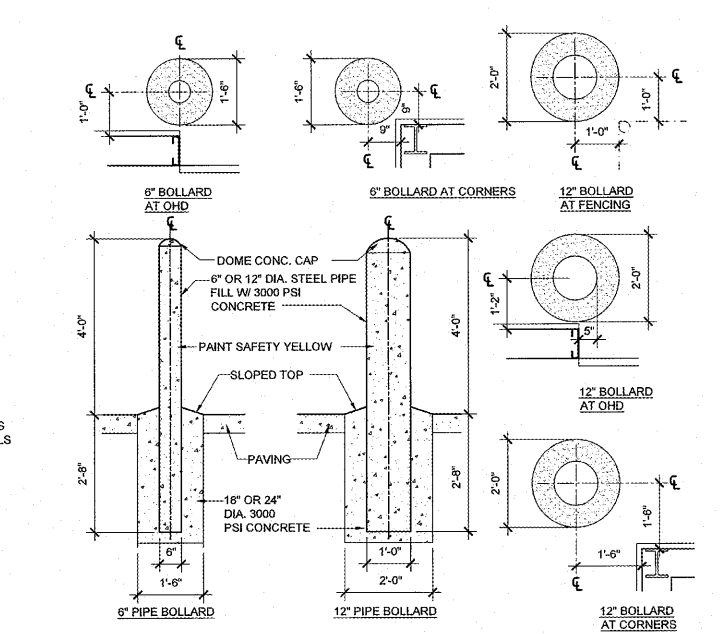
**6 JAMB DETAILS**  
SCALE: 1 1/2" = 1'-0"



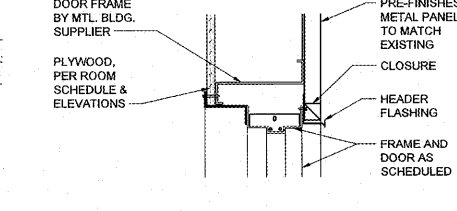
**5 HEAD DETAIL**  
SCALE: 1 1/2" = 1'-0"



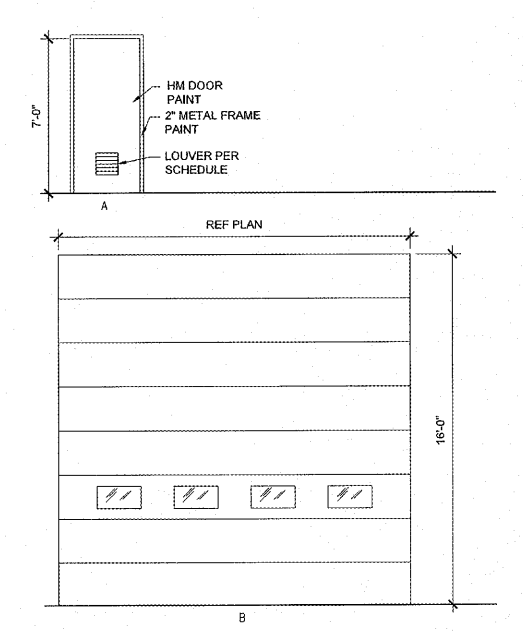
**4 JAMB DETAILS**  
SCALE: 1 1/2" = 1'-0"



**2 BOLLARD DETAILS**  
SCALE: 1/2" = 1'-0"



**3 HEAD DETAIL**  
SCALE: 1 1/2" = 1'-0"



**1 DOOR ELEVATIONS**  
SCALE: 1/4" = 1'-0"

**DOOR FINISH SCHEDULE (HM DOORS PROVIDED BY PRE-ENGINEERED METAL BUILDING MANUFACTURER)**  
DETAIL REFERENCES ARE TO SHEET YA2 UNO

MK	TYPE	SIZE	MATERIAL	FINISH	FRAME	FINISH	GLAZING	HEAD	JAMB	THRESH	REMARKS
110A	A	3'-0"x7'-0"x1 3/4" INSUL.	HM 16 GA	PRE-FINISHED DOOR & FRAME PROVIDED BY METAL BUILDING MANUFACTURER	METAL	---	---	11/YA2	12/YA2	---	NOTE 4
120A	B	16'-0"x16'-0" OHD	---	PRE-FINISHED DOOR & FRAME PROVIDED AND INSTALLED BY OWNER	---	---	WINDOW PORTS (4)	5/YA2	6/YA2	---	NOTE 1 & 3
120B	B	16'-0"x16'-0" OHD	---	PRE-FINISHED DOOR & FRAME PROVIDED AND INSTALLED BY OWNER	---	---	WINDOW PORTS (4)	5/YA2	6/YA2	---	NOTE 1 & 3
120C	A	3'-0"x7'-0"x1 3/4" INSUL.	HM 16 GA	PRE-FINISHED DOOR & FRAME PROVIDED BY METAL BUILDING MANUFACTURER	METAL	---	---	3/YA2	4/YA2	7/YA2	NOTE 2
120D	A	3'-0"x7'-0"x1 3/4" INSUL.	HM 16 GA	PRE-FINISHED DOOR & FRAME PROVIDED BY METAL BUILDING MANUFACTURER	METAL	---	---	3/YA2	4/YA2	7/YA2	NOTE 2

**NOTES:**  
 1. OVERHEAD DOOR TO HAVE ELECTRICAL OPERATOR, PROVIDED AND INSTALLED BY OWNER  
 2. EGRESS DOORS SHALL BE READILY OPENABLE WITH LEVER STYLE HANDLE FROM THE EGRESS SIDE WITHOUT USE OF A KEY OR SPECIAL KNOWLEDGE.  
 3. CLOPAY CONTACT: JESSICA WICK; EMAIL: CSI@CLOPAY.COM; PHONE: 800-526-4301  
 4. 12"X12" LOUVERS

**INTERIOR FINISHES**

NO.	TYPE	DESCRIPTION	REMARKS
53	PAINT	SHERWIN WILLIAMS SW 7038 TONY TAUPE	SATIN FINISH, TO MATCH EXISTING - USED FOR TOUCH UP ONLY
55	PAINT	SHERWIN WILLIAMS - SW 6990 CAVIAR	SATIN FINISH, TYP. ALL PLYWOOD WALLS, TO MATCH EXISTING - USED FOR TOUCH UP ONLY

**ROOM FINISH SCHEDULE (VERIFY FINISHES)**

MK	DESCRIPTION	FLOOR	BASE	WALL 1	WALL 2	WALL 3	WALL 4	CEILING	HEIGHT	REMARKS
110	NEW CHANGING ROOM	ETR	---	3/4" PLYWOOD (55)	ETR	ETR	PLYWOOD (55)	EXPOSED STRUCTURE	ETR	---
120	NEW SERVICE BAY	EXPOSED CONCRETE	---	3/4" PLYWOOD (55)	ETR EXPOSED STRUCTURE	3/4" PLYWOOD (55)	3/4" PLYWOOD (55)	EXPOSED STRUCTURE	---	REF: ELEVATIONS

**SHEET NOTE:**  
 1. INSTALL WATER RESISTANT 1X4 AT EVERY VERTICAL AND HORIZONTAL BUTT JOINT, TYPICAL FOR ALL PLYWOOD WALL FINISH.

**HFA**  
**HARRISON FRENCH & ASSOCIATES, LTD**  
 1705 S. Walton Blvd., Suite 3  
 Bentonville, Arkansas 72712  
 t 479.273.7780  
 f 888.520.9685  
 www.hfa-ac.com

**STIPULATION FOR REUSE**  
 THIS DRAWING HAS BEEN PROVIDED FOR THE USE OF THE CLIENT AND IS NOT TO BE REPRODUCED OR TRANSMITTED IN ANY FORM OR BY ANY MEANS, ELECTRONIC OR MECHANICAL, INCLUDING PHOTOCOPYING, RECORDING, OR BY ANY INFORMATION STORAGE AND RETRIEVAL SYSTEM, WITHOUT THE WRITTEN PERMISSION OF HARRISON FRENCH & ASSOCIATES, LTD.

200 S KINGS HWY  
 FORT PIERCE, FL 34945  
**SPEEDCO REBRANDING & LIGHT MECHANICAL ADDITION**  
 PROJECT NUMBER: 03-16-60467

**Loves**  
**Travel Stop & Country Stores**

STATE OF FLORIDA  
 JAMIE MARIE COOK  
 REGISTERED ARCHITECT  
 AR99512

Jamie Marie Cook, Architect  
 License #AR99512  
 Harrison French & Associates, LTD  
 COA #FA26601029

**ISSUE BLOCK**


STORE NO. 467  
 DOCUMENT DATE: 05/14/19  
 CHECKED BY: ELR  
 DRAWN BY: JTH  
 PROTO CYCLE:

SCHEDULES, WALL SECTIONS, AND DETAILS

SHEET: YA2

May 23, 2019 10:12:33 am - User: Joseph Hanney  
 M:\2019\19-0407\19-0407\19-0407\123 YA2\_SCH-DETAILS.dwg