

SITE LIGHTING PIER SCHEDULE

HEIGHT ABOVE ADJACENT GRADE	DEPTH BELOW GRADE	REINFORCING
X 3'-0" TO 4'-0"	Y 6'-0"	(6) #8 VERTICALS
X 4'-1" TO 5'-0"	Y 6'-8"	(6) #8 VERTICALS
X 5'-1" TO 6'-0"	Y 7'-0"	(6) #8 VERTICALS
X 6'-1" TO 7'-0"	Y 7'-6"	(6) #8 VERTICALS
X 7'-1" TO 8'-0"	Y 8'-0"	(6) #8 VERTICALS
X 8'-1" TO 9'-0"	Y 8'-6"	(6) #8 VERTICALS
X 9'-1" TO 10'-0"	Y 8'-6"	(6) #8 VERTICALS

PROVIDE #3 TIES @ 12" O.C. ON EACH PIER

SITE LIGHTING PIER SCHEDULE

HEIGHT ABOVE ADJACENT GRADE	DEPTH BELOW GRADE	REINFORCING
X 3'-0" TO 4'-0"	Y 2'-0"	#5 @ 6" O.C.E.W. TOP & BOTTOM
X 4'-1" TO 5'-0"	Y 2'-0"	#5 @ 6" O.C.E.W. TOP & BOTTOM
X 5'-1" TO 6'-0"	Y 2'-0"	#5 @ 6" O.C.E.W. TOP & BOTTOM
X 6'-1" TO 7'-0"	Y 2'-0"	#5 @ 6" O.C.E.W. TOP & BOTTOM
X 7'-1" TO 8'-0"	Y 2'-0"	#5 @ 6" O.C.E.W. TOP & BOTTOM
X 8'-1" TO 9'-0"	Y 2'-0"	#5 @ 6" O.C.E.W. TOP & BOTTOM
X 9'-1" TO 10'-0"	Y 2'-0"	#5 @ 6" O.C.E.W. TOP & BOTTOM

PROVIDE #3 TIES @ 12" O.C. ON EACH PIER

PLAN LEGEND

- EXISTING TO REMAIN
- NEW
- NEW CONCRETE
- NEW LANDSCAPING

HFA
HARRISON FRENCH & ASSOCIATES, LTD.
1705 S. Walton Blvd., Suite 3
Bentonville, Arkansas 72712
t 479.273.7780
f 888.520.9685
www.hfa-arc.com

STIPULATION FOR REUSE
THIS DRAWING HAS BEEN PREPARED FOR THE USE OF THE PROJECT AND SITE SPECIFIC CONDITIONS. IT IS NOT TO BE REUSED FOR ANY OTHER PROJECT WITHOUT THE WRITTEN PERMISSION OF HARRISON FRENCH & ASSOCIATES, LTD. ANY REUSE OF THIS DRAWING FOR ANY OTHER PROJECT WITHOUT THE WRITTEN PERMISSION OF HARRISON FRENCH & ASSOCIATES, LTD. IS STRICTLY PROHIBITED.

200 S KINGS HWY
FORT PIERCE, FL 34945
SPEEDCO REBRANDING &
LIGHT MECHANICAL ADDITION
PROJECT NUMBER: 03-19-0467

Loves
Travel Stop &
Country Stores

STATE OF FLORIDA
Jami Marie Cook
REGISTERED ARCHITECT
AP09512

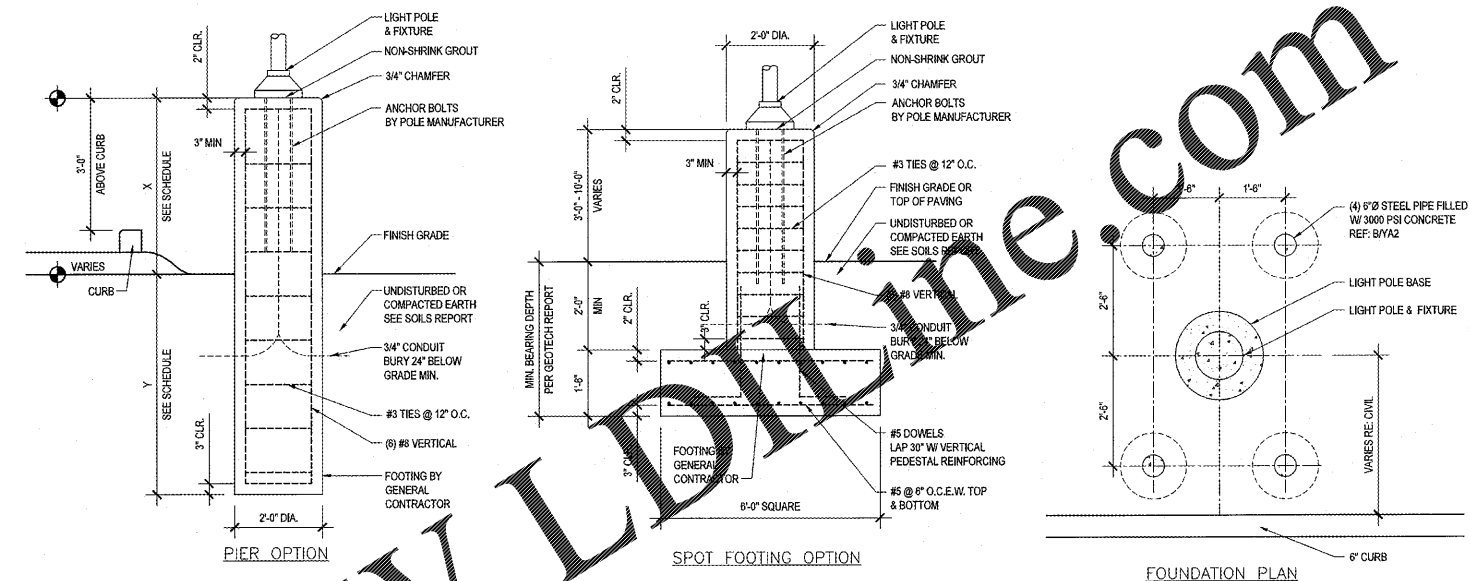
Jami Marie Cook, Architect
License #AR95512
Harrison French &
Associates, LTD.
COA #AA226001029

ISSUE BLOCK

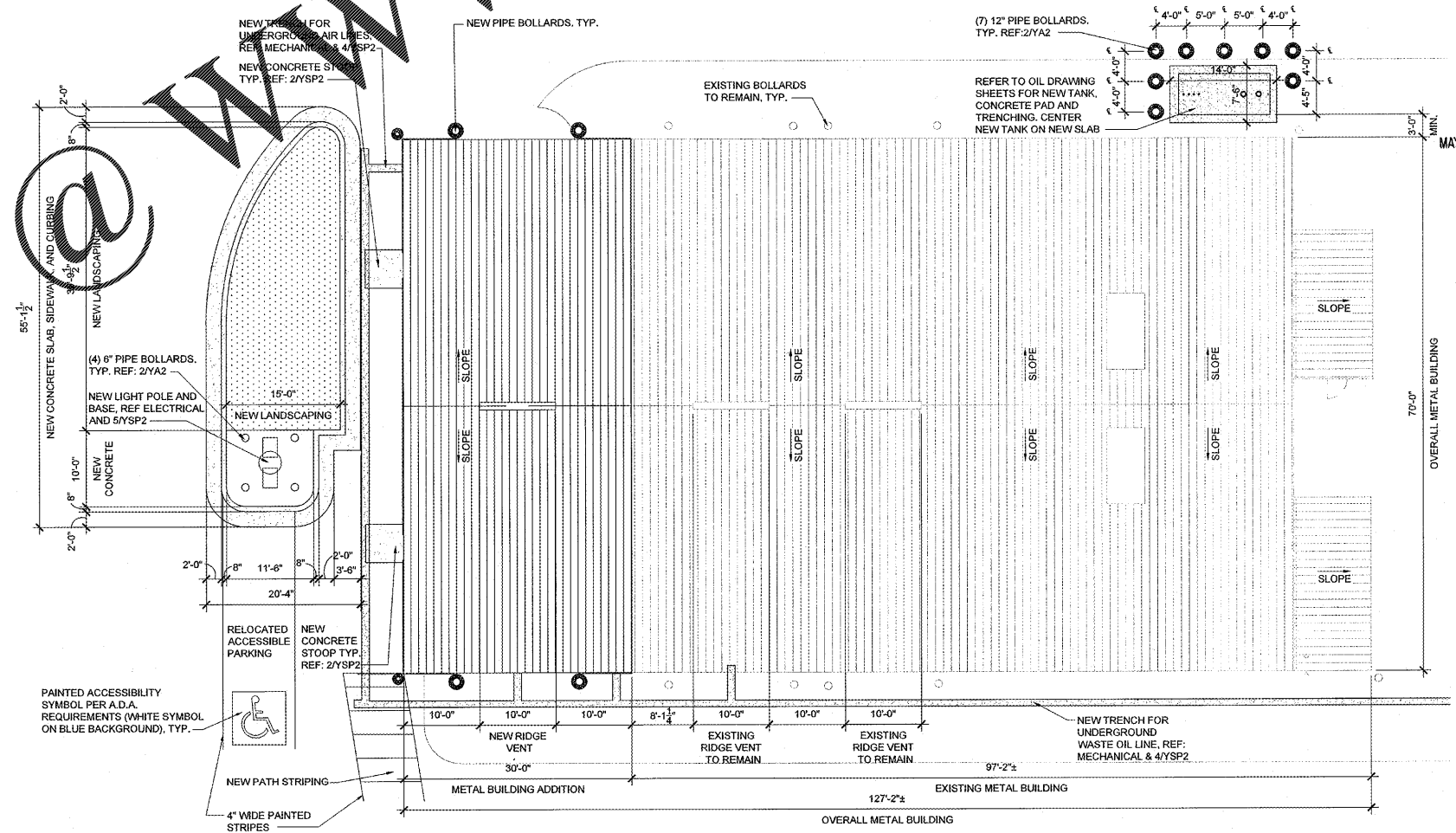
STORE NO. 467
DOCUMENT DATE: 05/14/19
CHECKED BY: ELR
DRAWN BY: JTH
PROTO CYCLE:

ENLARGED SITE PLAN AND DETAILS

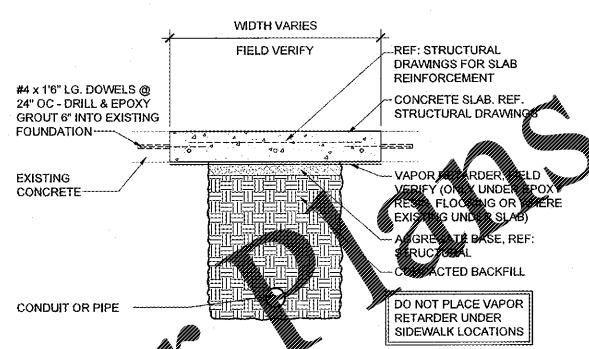
SHEET: YSP2



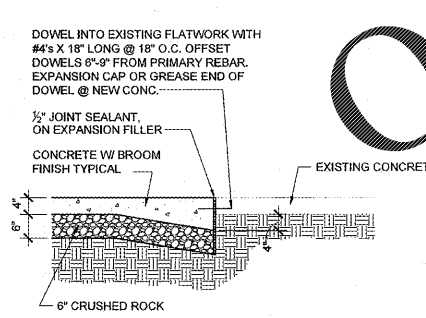
5 2'-0" DIAMETER LIGHT POLE FOUNDATION
SCALE: 1/2" = 1'-0"



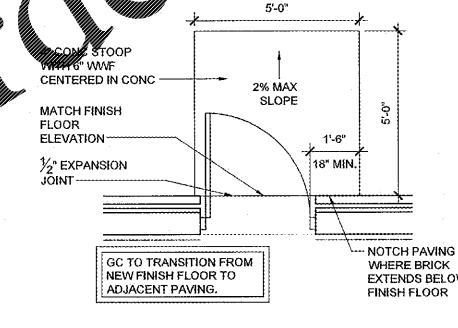
1 ENLARGED SITE PLAN
SCALE: 1" = 10'-0"



4 TRENCHING DETAILS
SCALE: 3/4" = 1'-0"



3 SIDEWALK SECTION
SCALE: 1/2" = 1'-0"



2 STOOP DETAIL
SCALE: 3/8" = 1'-0"

M:\03\2019\05\05\2019 - User: Jami Marie Cook - 190522 ENLARGED SITE PLAN AND DETAILS.dwg