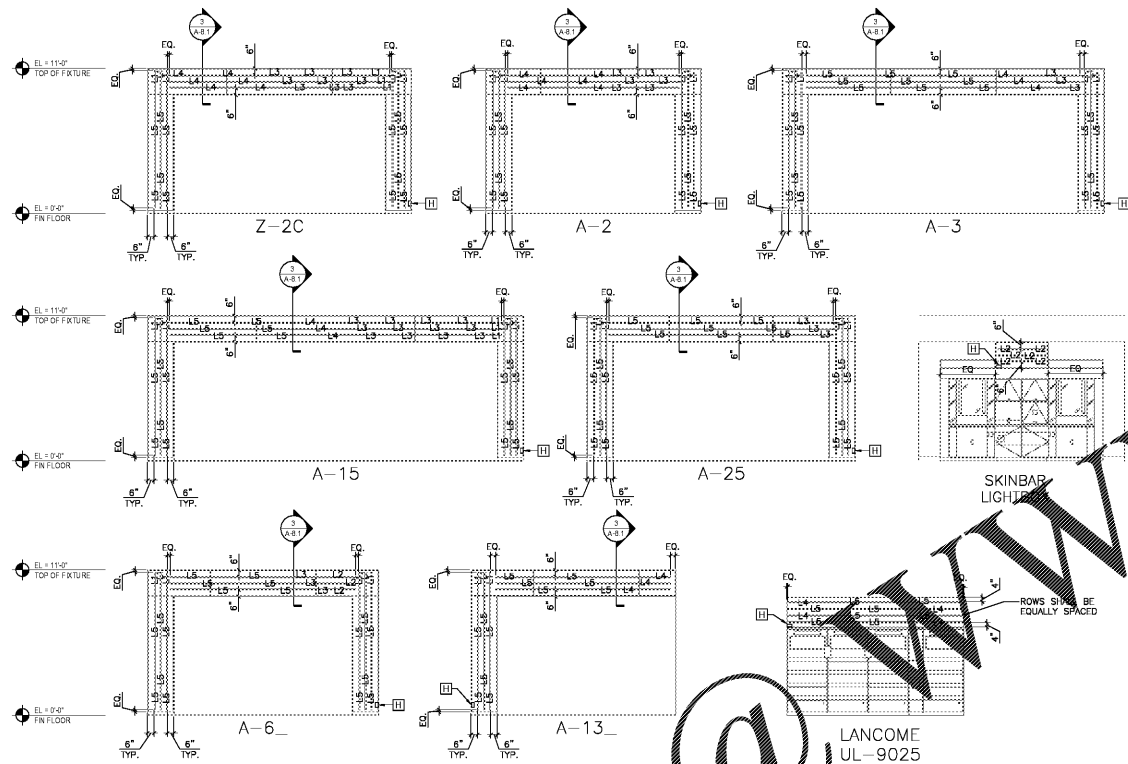


3 CASHWRAP ROUGH-IN ELEVATION  
NO SCALE

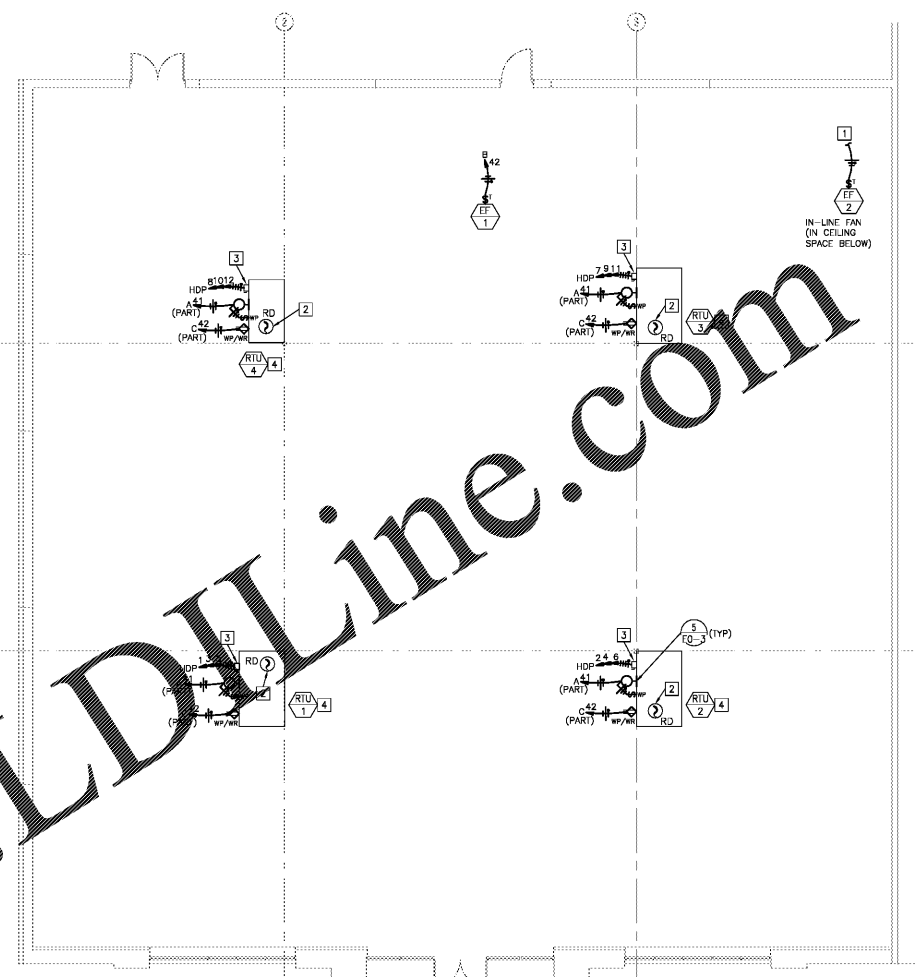
NOTE:  
INSTALL OUTLETS ON INSIDE FACE OF BACK PANEL OF CASHWRAP UNLESS INDICATED OTHERWISE. REFER TO DETAIL # 1 SHEET F1.1C FOR ADDITIONAL INFORMATION. NO SENSOR, KEYPADS OR SIMILAR DEVICES SHALL BE MOUNTED TO MILLWORK.



3 ARCH LIGHTING ELEVATION  
NO SCALE

LANCOTE  
UL-9025

GENERAL NOTES:  
1. REFERENCE POWER SHEETS E2-1 AND E2-2 FOR POWER CONNECTIONS FOR ALL ARCH LIGHTING FIXTURES.  
PROVIDE STOP TYPE MOUNTING CLIP OR FOOTER FOR BOTTOM LIGHTING FIXTURES IN VERTICAL ARCH SECTIONS, TO PREVENT FIXTURES FROM SLIDING DOWN.

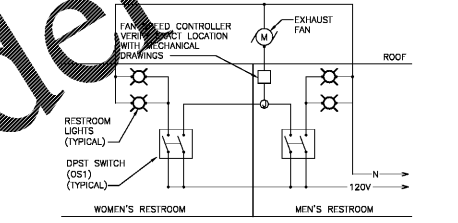


ROOF PLAN - POWER  
SCALE: 1/8"=1'-0"  
0' 6' 12' 24' 32'

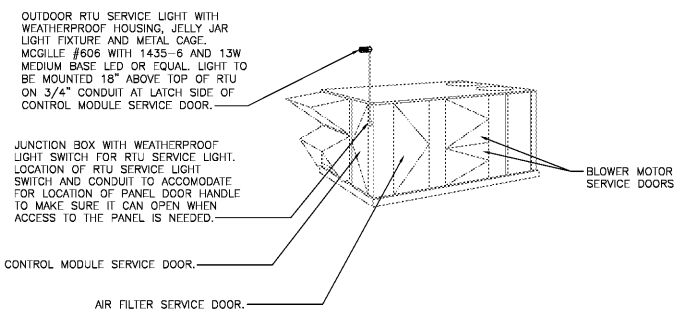
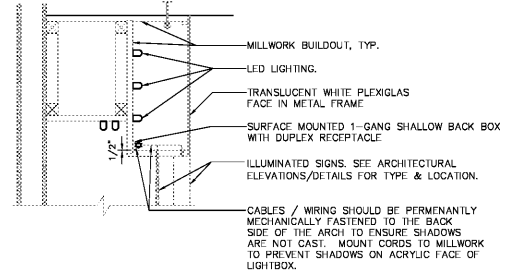
- PLAN NOTES:
- EXHAUST FAN TO BE POWERED FROM LIGHTING CIRCUIT THAT SERVES RESTROOMS AND CONTROLLED VIA OCCUPANCY SENSOR IN EACH ROOM AND FAN SPEED CONTROLLER. SEE SHEET E1-1 FOR CIRCUIT DESIGNATION AND DETAIL ON THIS SHEET FOR WIRING DIAGRAM.
  - DUCT SMOKE DETECTORS AND SHUT-DOWN RELAYS ARE FACTORY INSTALLED IN ROOF TOP UNITS. COORDINATE LOCATION OF NEW REMOTE INDICATOR LOCATIONS WITH ULIA'S CONSTRUCTION MANAGER AND LOCAL CODES.
  - ROOF TOP UNIT DISCONNECT, FINAL CONNECTION, SERVICE LIGHT AND ASSOCIATED BRANCH CIRCUIT ARE NEW. WEATHERPROOF GFCI SERVICE RECEPTACLE IS FURNISHED WITH ROOF TOP UNIT.
  - PROVIDE 3/4" CONDUIT WITH PULL STRING FROM CONTROL CABINET OF HVAC UNIT TO ACCESSIBLE GYLING SPACE.

Order Plans @ WWW.LDLine.com

2 TOILET EXHAUST FAN (EF-2)  
CONTROL DIAGRAM  
NO SCALE



4 ARCH SIGN RECEPTACLE DETAIL  
NO SCALE



5 SERVICE LIGHT DETAIL  
NO SCALE

REVISION	DATE
LL & ULTA REVIEW	06/03/2019
BD ISSUE	06/03/2019
PERM1 ISSUE	06/04/2019

robert g. lyon + associates, inc.  
11400 N. Halsted Street, Suite 110  
Chicago, IL 60641  
5100 River Road, Ste 125  
Schiller Park, IL 60176  
P: 847.671.7422  
F: 847.671.4200  
www.rgla.com

THE ABOVE DRAWINGS AND SPECIFICATIONS ARE OURS. DESIGN AND DIMENSIONS ARE REPRESENTED THEREIN AND SHALL REMAIN THE PROPERTY OF THIS OFFICE, AND NO PART THEREOF SHALL BE COPIED, REPRODUCED, COPIED, REPRODUCED OR OTHERWISE USED IN ANY MANNER WITHOUT THE WRITTEN CONSENT OF THIS OFFICE. THE CONTRACTOR SHALL BE RESPONSIBLE FOR OBTAINING ALL NECESSARY PERMITS AND APPROVALS FROM ALL APPLICABLE AGENCIES. THE CONTRACTOR SHALL BE RESPONSIBLE FOR OBTAINING ALL NECESSARY PERMITS AND APPROVALS FROM ALL APPLICABLE AGENCIES. THE CONTRACTOR SHALL BE RESPONSIBLE FOR OBTAINING ALL NECESSARY PERMITS AND APPROVALS FROM ALL APPLICABLE AGENCIES.

ULTA  
BEAUTY  
ULTA #613  
SHOPPES OF MADISON  
8201 HIGHWAY 72 WEST  
SUITE C  
MADISON, AL 35758

ROOF PLAN - POWER  
DETAILS, AND  
ARCH LIGHTING  
ELEVATIONS

DESIGNED BY	HEI
CHECKED BY	HEI
JOB NUMBER	19047
SHEET NAME	E0-3

HENDERSON  
ENGINEERS  
8345 LENOVA DRIVE, SUITE 300  
LENEXIA, OH 45154  
TEL 913.742.5000 FAX 913.742.5001  
WWW.HENDERSONENGINEERS.COM  
185001789  
AL CORPORATE TELENUMBER, CA-2185-E  
EXPIRES 01/31/20