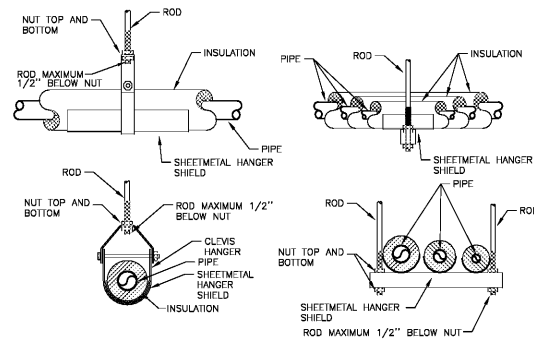
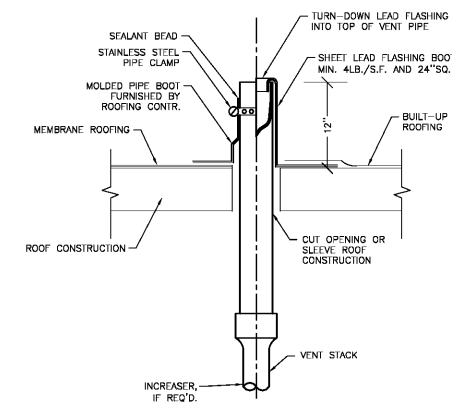


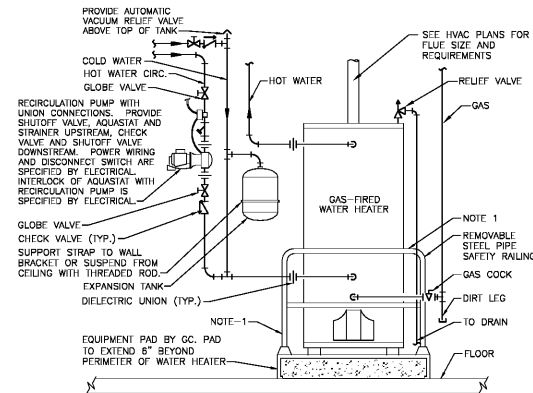
Order Plans @ www.hendersononline.com



8 TYPICAL HANGER DETAIL
NOT TO SCALE

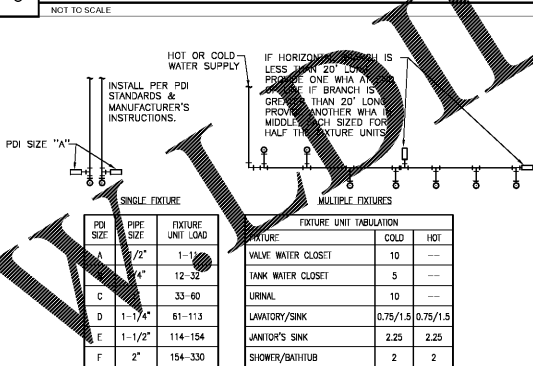


9 VENT THRU ROOF DETAIL
NOT TO SCALE

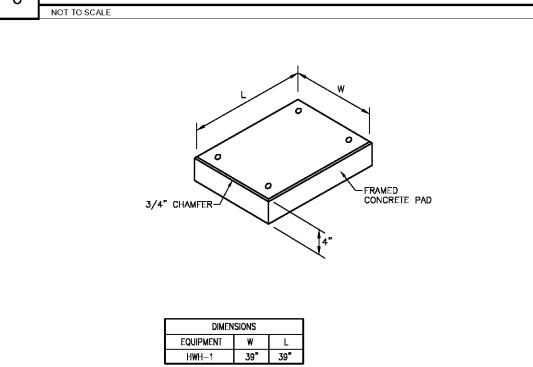


5 DOMESTIC WATER HEATER DETAIL - GAS
NOT TO SCALE

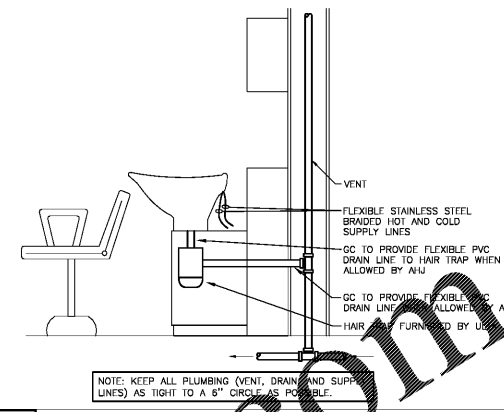
5 DOMESTIC WATER HEATER DETAIL - GAS



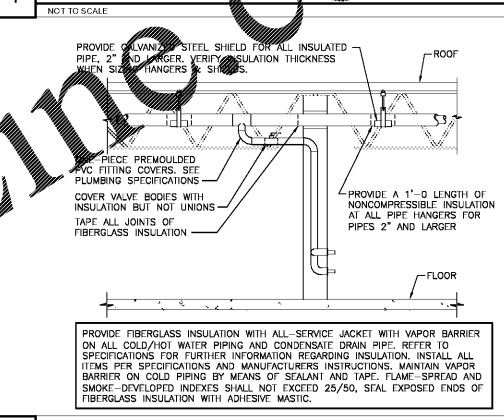
6 WATER HAMMER ARRESTERS
NOT TO SCALE



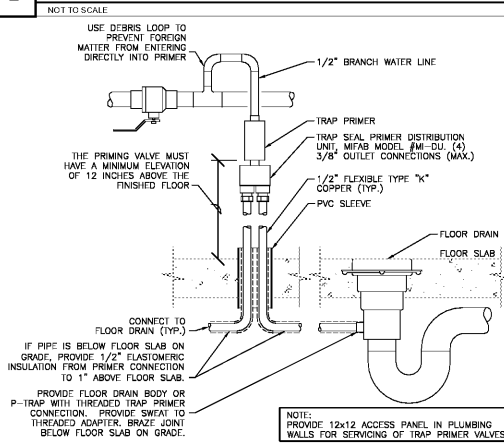
7 EQUIPMENT BASE DETAIL
NOT TO SCALE



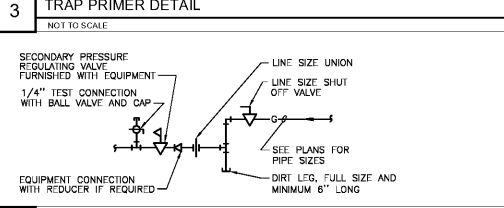
1 SHAMPOO SINK DETAIL
NOT TO SCALE



2 PIPE INSULATION DETAIL
NOT TO SCALE



3 TRAP PRIMER DETAIL
NOT TO SCALE



4 TYPICAL GAS PIPING CONNECTION DETAIL
NOT TO SCALE

RGLA

rgla solutions, inc.
5100 River Road, Ste 125
Schiller Park, IL 60176
F: 847.671.1422
www.rgla.com

REVISION	DATE
LL & LTA REVIEW	06/03/19
BO ISSUE	06/03/19
PERMITS ISSUE	06/04/19

robert g. lyon + associates, inc.
118 W. WASHINGTON ST. #110
5100 River Road, Ste 125
Schiller Park, IL 60176
F: 847.671.1422
www.rgla.com

THE ABOVE DRAWINGS AND SPECIFICATIONS AND CODES, ORDINANCES AND REGULATIONS REFERENCED THEREIN ARE AND SHALL REMAIN THE PROPERTY OF THIS OFFICE, AND NO PART THEREOF SHALL BE COPIED, REPRODUCED, OR TRANSMITTED IN ANY FORM OR BY ANY MEANS, WITHOUT THE WRITTEN CONSENT OF THE OFFICE. THE OFFICE SHALL BE RESPONSIBLE FOR THE ACCURACY AND COMPLETENESS OF THE INFORMATION PROVIDED HEREIN. THE CONTRACTOR SHALL VERIFY ALL DIMENSIONS AND CONDITIONS SHOWN BY THESE DRAWINGS, SPECIFICATIONS AND REGULATIONS BEFORE PROCEEDING WITH FABRICATION.

© 2019 RGLA SOLUTIONS, INC. ALL RIGHTS RESERVED.

ULTA BEAUTY

ULTA #613
SHOPPES OF MADISON
8201 HIGHWAY 72 WEST
SUITE C
MADISON, AL 35758

PLUMBING
DETAILS

DESIGNED BY	MAJ
CHECKED BY	RCB
JOB NUMBER	19047
SHEET NAME	P-5

HENDERSON ENGINEERS
8346 LENOVA DRIVE, SUITE 300
LEVENA, KS 66214
TEL 913.742.5000 FAX 913.742.5001
WWW.HENDERSONENGINEERS.COM
185000789
AL CORPORATE TELENUMBER: CA-2185-E
EXPRESS 01/01/20