

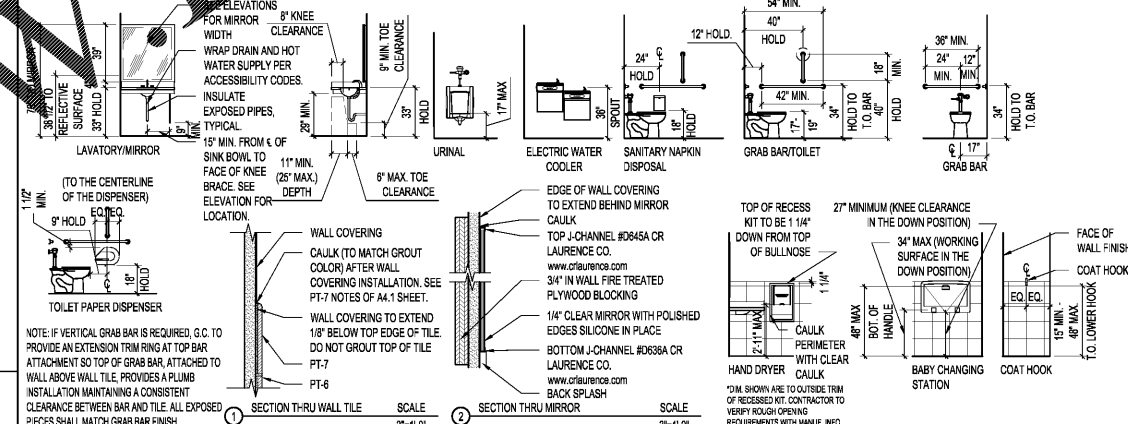
REVISIONS	DATE
LL & ULTA REVIEW	09/03/2019
BID ISSUE	09/03/2019
PERMIT ISSUE	09/04/2019

robert g. lyon + associates, inc.
 1111 S. W. 11th St., Suite 111
 5100 River Road, Ste 125
 Schiller Park, IL 60176
 P: 847.671.4420
 F: 847.671.4200
 www.rgla.com

SYMBOL	DESCRIPTION	COMPANY	MODEL	FINISH	REMARKS/SUPPLY
[1]	COAT-HOOK	HAGER	MSP	SATIN FINISH STAINLESS STEEL	UNLESS NOTED OTHERWISE, MOUNTED AT 48" A.F.F. BY G.C. PROVIDE BLOCKING AS REQ'D.
[2]	ACCESSIBLE LAVATORY	SEE PLUMBING SHEETS FOR SPEC'S	SEE PLUMBING SHEETS FOR SPEC'S	SEE PLUMBING SHEETS FOR SPEC'S	SEE TYPICAL MOUNTING HEIGHTS DETAILS / BY G.C.
[3]	PAPER TOWEL DISPENSER				AT MOP SINK AND COFFEE BAR, LOCATION FURNISHED BY ULTA & INSTALLED BY G.C. MTD. MAX 48" TO OPERABLE PARTS/LOCAL CODES.
[4]	GRAB BAR				SEE TYPICAL MOUNTING HEIGHTS DETAILS / BY G.C. PROVIDE NECESSARY BLOCKING.
[5]	TOILET PAPER DISPENSER				SEE TYPICAL MOUNTING HEIGHTS DETAILS FURNISHED BY ULTA AND INSTALLED BY G.C.
[6]	SANITARY NAPKIN DISPOSAL				SEE TYPICAL MOUNTING HEIGHTS DETAILS BY G.C.
[7]	WALL MIRROR				SEE TYPICAL MOUNTING HEIGHTS DETAILS BY G.C.
[8]	GRAB BAR				MOUNTED AT 34" MAXIMUM A.F.F. TO CHANGING BED FURNISHED BY ULTA INSTALLED BY G.C.
[9]	HAND DRYER				FURNISHED BY ULTA AND INSTALLED BY G.C. MOUNTED 38" MAXIMUM TO BOTTOM OF HAND DRYER LOCAL CODES.

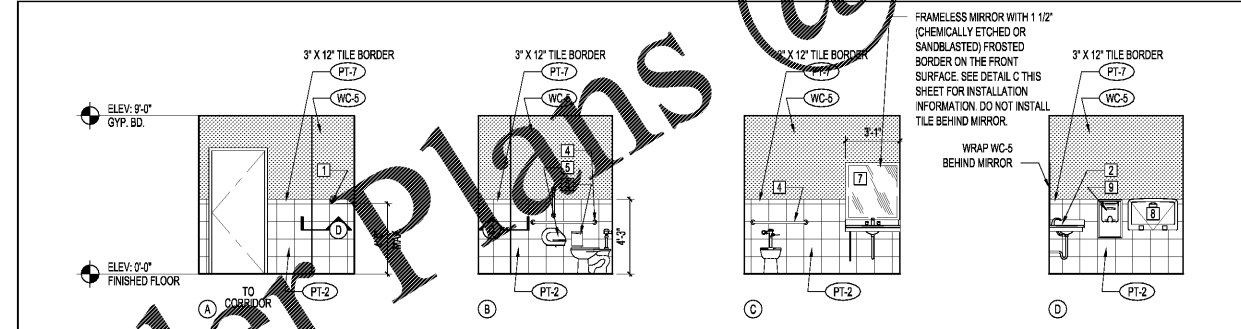
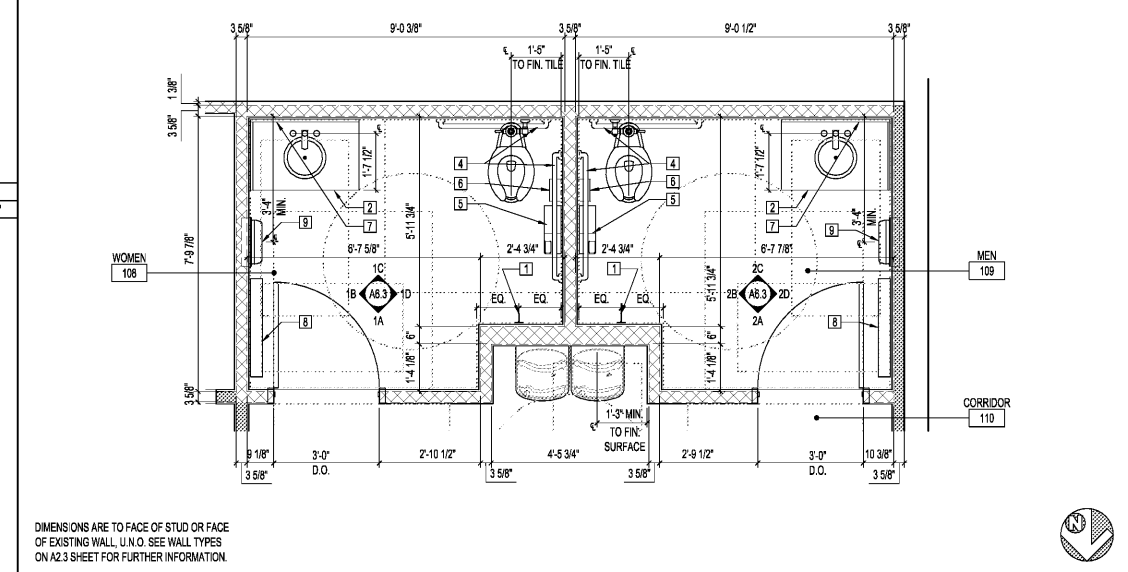
GENERAL NOTES:
 1. ALL JOINTS/SEAMS TO BE CAULKED WHERE CERAMIC TILE MEETS WALL COVERING, GRAY CAULK (DAP DYNAFLEX 230).
 2. AT OUTSIDE TILED CORNERS, TILE TO HAVE MITERED CORNER JOINT.
 3. CAULK BACKSPLASH TO WALL, TILE WITH WHITE CAULK.
 4. CAULK ALL PLUMBING FIXTURES WHERE IT MEETS WALL/FLOOR TILE AND COUNTERTOP WITH WHITE CAULK.
 5. ALIGN GROUT LINES ON THE WALL AND FLOOR TILE.
 6. PROVIDE GRAY ELECTRICAL DEVICES AND STAINLESS STEEL COVER PLATES AT LOCATIONS WHERE WC-S OCCURS.

D MITERED CORNER DETAIL SCALE NONE **C TOILET ACCESSORIES** SCALE NA

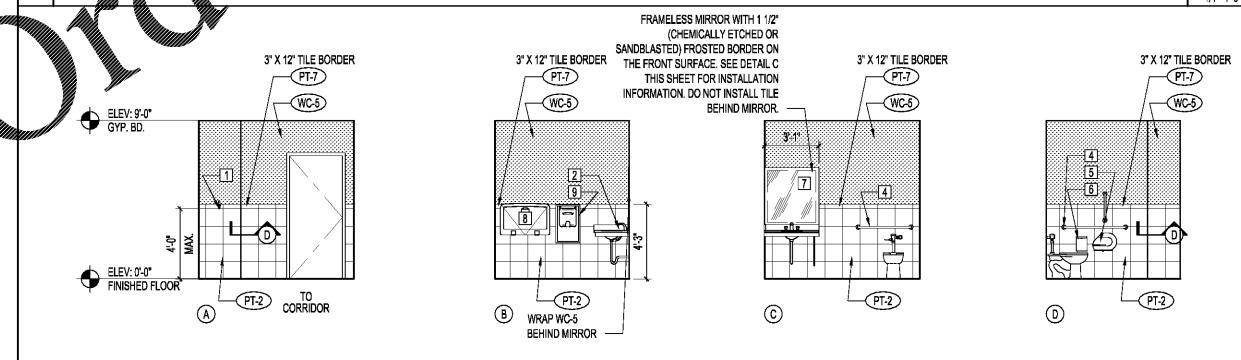


B TYPICAL MOUNTING DETAILS SCALE 1/4"=1'-0"

NOTES:
 1. ALL JOINTS/SEAMS TO BE CAULKED WHERE CERAMIC TILE MEETS WALL COVERING, GRAY CAULK (DAP DYNAFLEX 230).
 2. AT OUTSIDE TILED CORNERS, TILE TO HAVE MITERED CORNER JOINTS.
 [E] TOILET ACCESSORY TAG. SEE ACCESSORIES SCHEDULE ON THIS SHEET.



2 ELEVATIONS - MEN SCALE 1/4"=1'-0"



1 ELEVATIONS - WOMEN SCALE 1/4"=1'-0"

THE ABOVE DRAWINGS AND SPECIFICATIONS ARE THE PROPERTY OF RGLA SOLUTIONS, INC. AND SHALL REMAIN THE PROPERTY OF THIS OFFICE. NO PART THEREOF SHALL BE COPIED, REPRODUCED, OR TRANSMITTED IN ANY FORM OR BY ANY MEANS, WITHOUT THE WRITTEN CONSENT OF RGLA SOLUTIONS, INC. ANY UNAUTHORIZED USE OF THIS OFFICE'S DESIGN OR DRAWINGS SHALL BE AT THE USER'S SOLE RISK AND WITHOUT LIABILITY TO RGLA SOLUTIONS, INC. CONTRACTOR SHALL BE RESPONSIBLE FOR VERIFYING ALL DIMENSIONS AND CONDITIONS OF THE EXISTING WORK. CONTRACTOR SHALL BE RESPONSIBLE FOR OBTAINING ALL NECESSARY PERMITS AND APPROVALS FROM THE LOCAL, STATE, AND FEDERAL AUTHORITIES. CONTRACTOR SHALL BE RESPONSIBLE FOR OBTAINING ALL NECESSARY APPROVALS FROM THE LOCAL, STATE, AND FEDERAL AUTHORITIES. CONTRACTOR SHALL BE RESPONSIBLE FOR OBTAINING ALL NECESSARY APPROVALS FROM THE LOCAL, STATE, AND FEDERAL AUTHORITIES.



ULTA #1813
 SHOPS OF MADISON
 8201 HIGHWAY 72 WEST
 SUITE C
 MADISON, AL 35758

INTERIOR ELEVATIONS
 AND ENLARGED
 TOILET ROOM PLAN

DESIGNED BY	IA
CHECKED BY	PK
JOB NUMBER	19047
SHEET NAME	A6.3