

REVISIONS	DATE
LL & ULTA REVIEW	09/03/2019
BID ISSUE	09/03/2019
PERMIT ISSUE	09/04/2019

robert g. lyon + associates, inc.
 1111 N. W. 11th St., Suite 110
 5100 River Road, Ste 125
 Schiller Park, IL 60176
 P: 847.671.1420
 F: 847.671.4200
 www.rgla.com

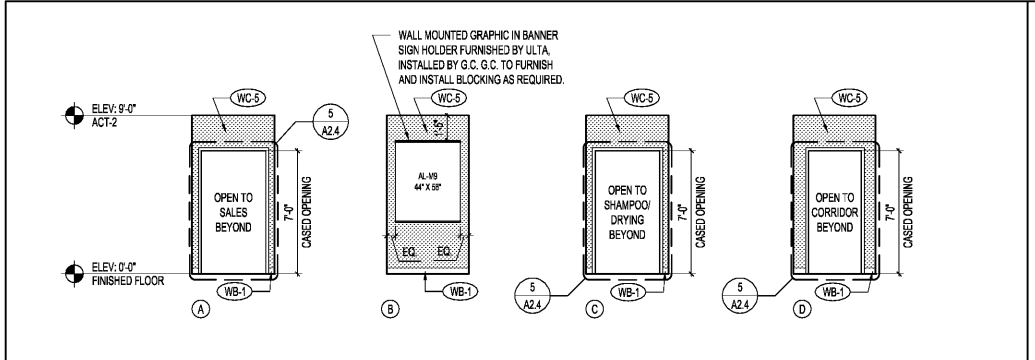
THE ABOVE DRAWING AND SPECIFICATIONS ARE THE PROPERTY OF RGLA SOLUTIONS, INC. AND NO PART THEREOF SHALL BE COPIED, REPRODUCED, OR TRANSMITTED IN ANY FORM OR BY ANY MEANS, WITHOUT THE WRITTEN CONSENT OF RGLA SOLUTIONS, INC. ANY UNAUTHORIZED USE OF THIS DRAWING IS PROHIBITED. VISUAL CONTACT PROJECT FOR ULTA BEAUTY IS A TRADE NAME OF ULTA BEAUTY, INC. RGLA SOLUTIONS, INC. ACCEPTS NO LIABILITY FOR ANY DAMAGE TO PERSONS OR PROPERTY ARISING FROM THE USE OF THIS DRAWING. VISUAL CONTACT PROJECT FOR ULTA BEAUTY IS A TRADE NAME OF ULTA BEAUTY, INC. RGLA SOLUTIONS, INC. ACCEPTS NO LIABILITY FOR ANY DAMAGE TO PERSONS OR PROPERTY ARISING FROM THE USE OF THIS DRAWING.



ULTA #1813
 SHOPS OF MADISON
 8201 HIGHWAY 72 WEST
 SUITE C
 MADISON, AL 35758

INTERIOR ELEVATIONS

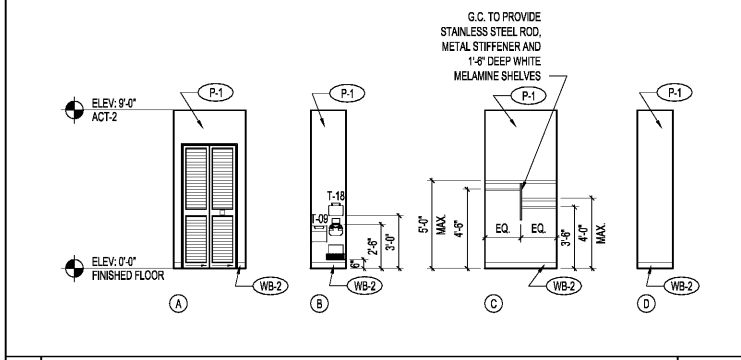
DESIGNED BY	IA
CHECKED BY	PK
JOB NUMBER	19047
SHEET NAME	A6.2



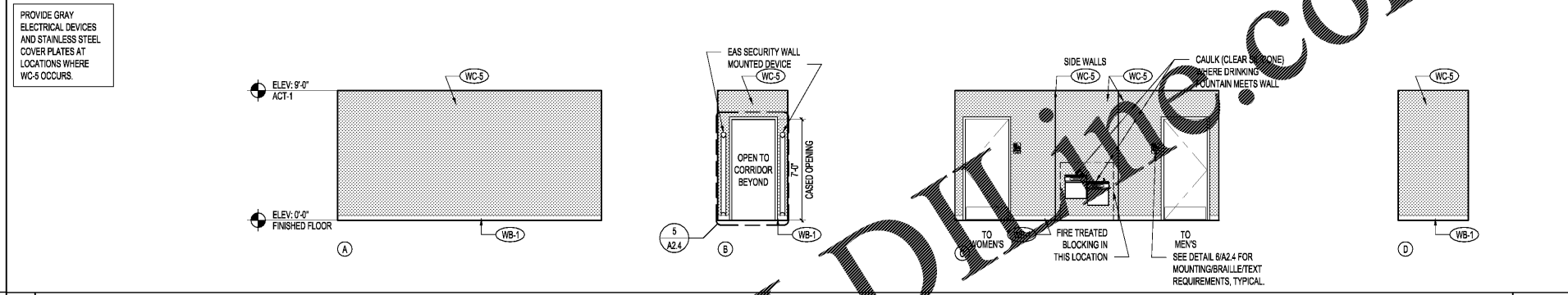
7 ELEVATIONS - CORRIDOR 107 SCALE 1/4"=1'-0"



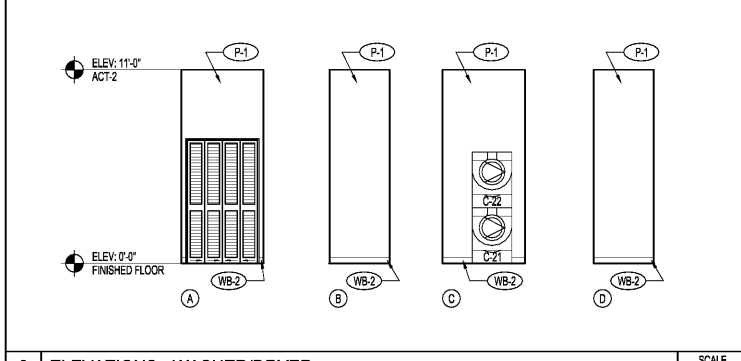
8 NOT USED SCALE -



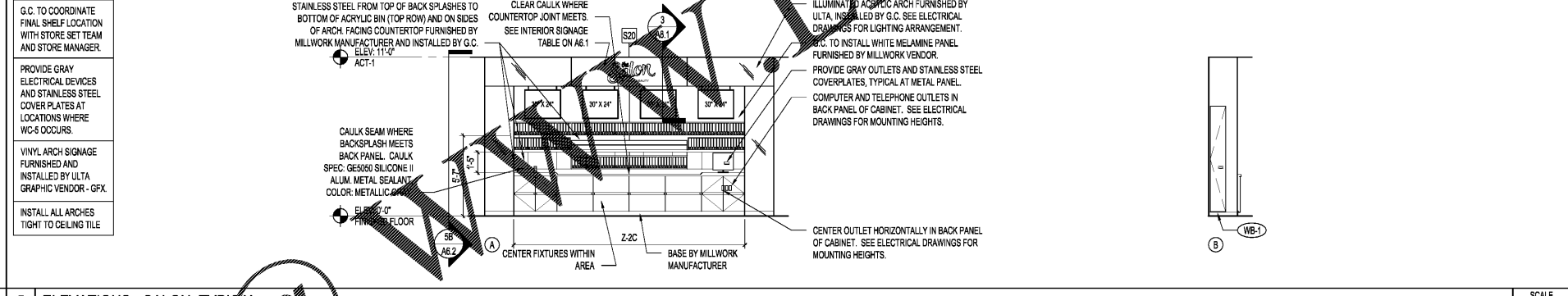
4 ELEVATIONS - COAT CLOSET SCALE 1/4"=1'-0"



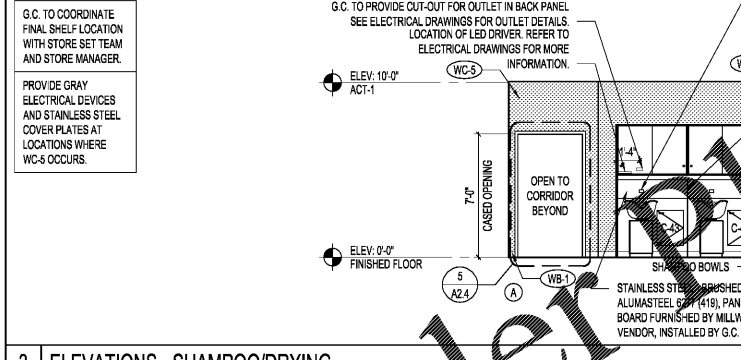
6 ELEVATIONS - CORRIDOR 110 SCALE 1/4"=1'-0"



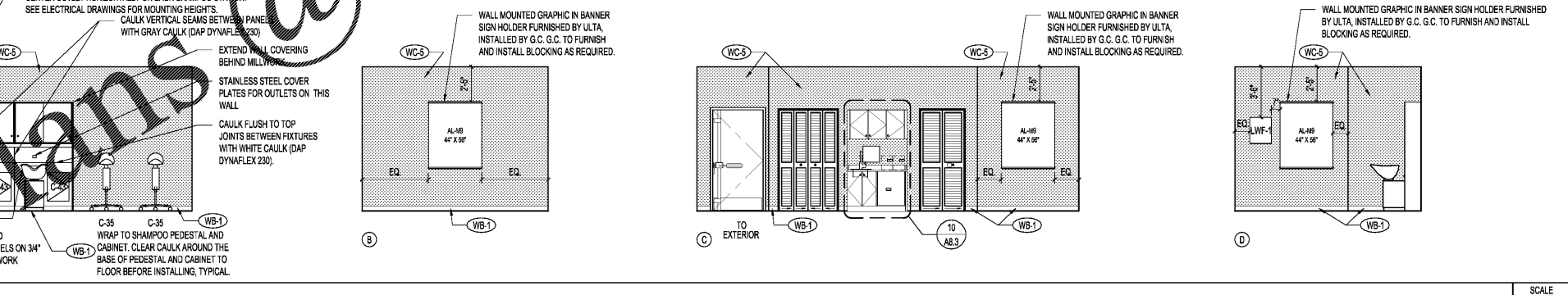
2 ELEVATIONS - WASHER/DRYER SCALE 1/4"=1'-0"



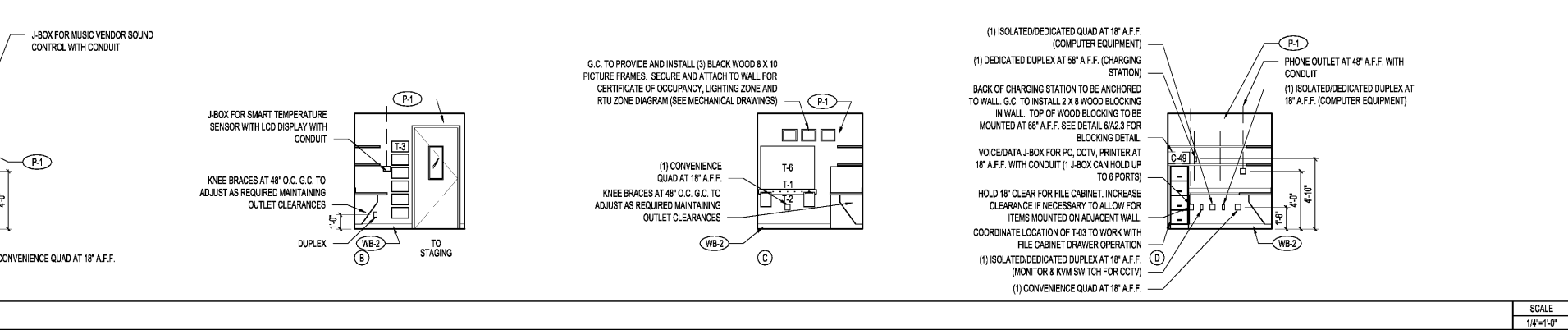
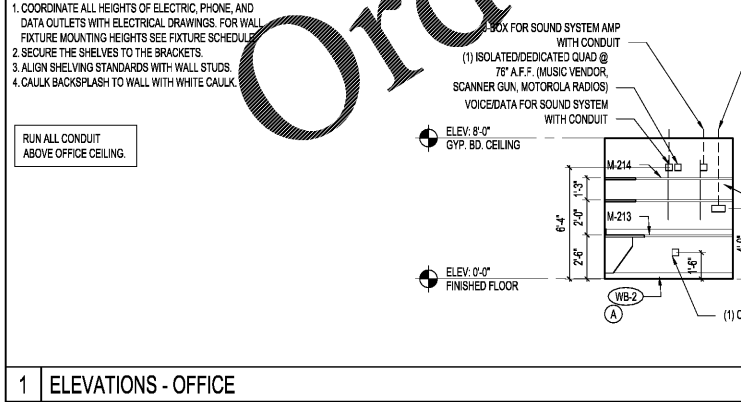
5 ELEVATIONS - SALON, TYPICAL SCALE 1/4"=1'-0"



3 ELEVATIONS - SHAMPOO/DRYING SCALE 1/4"=1'-0"



1 ELEVATIONS - OFFICE SCALE 1/4"=1'-0"



Order Plans @