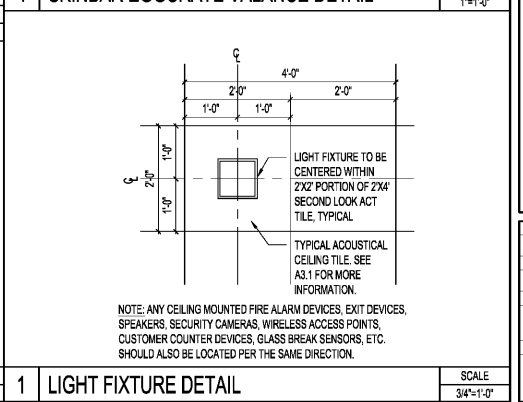
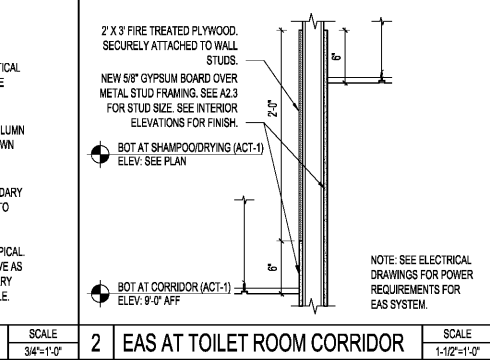
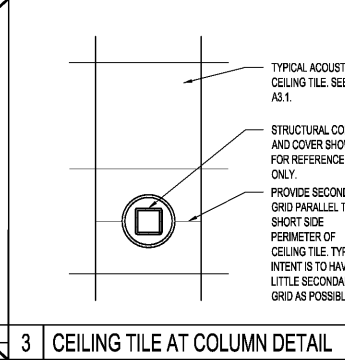
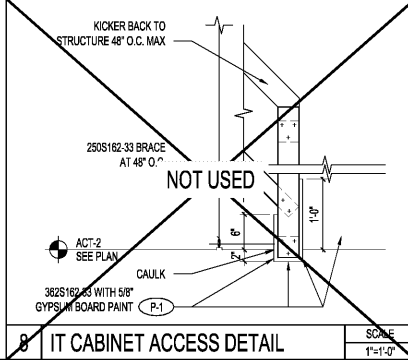
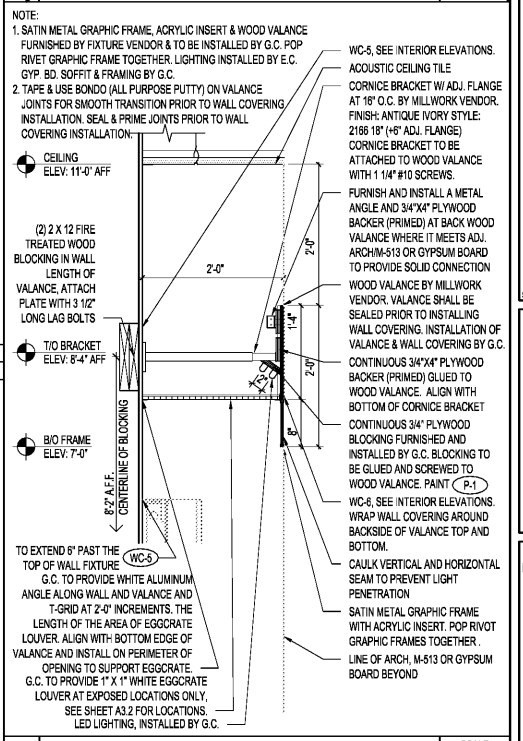
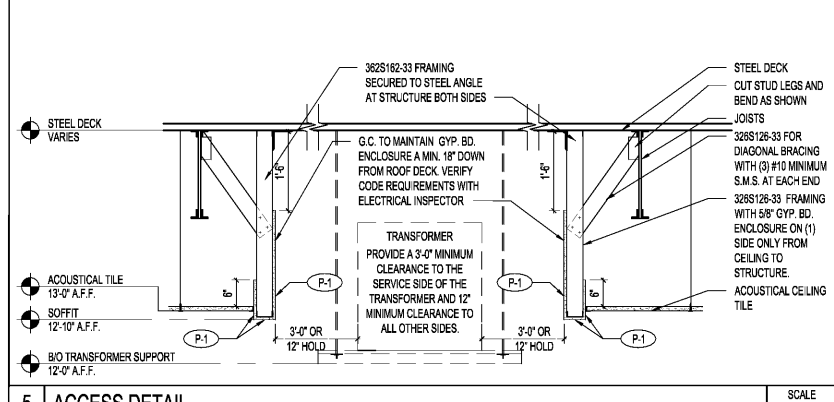
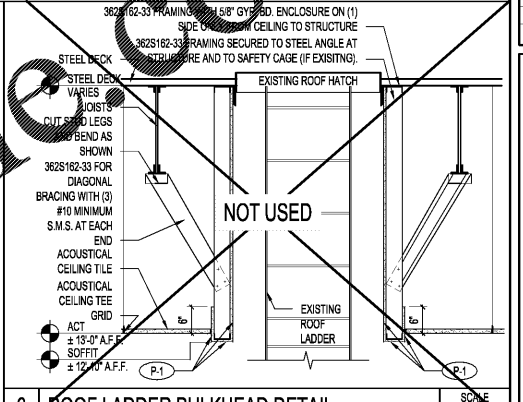
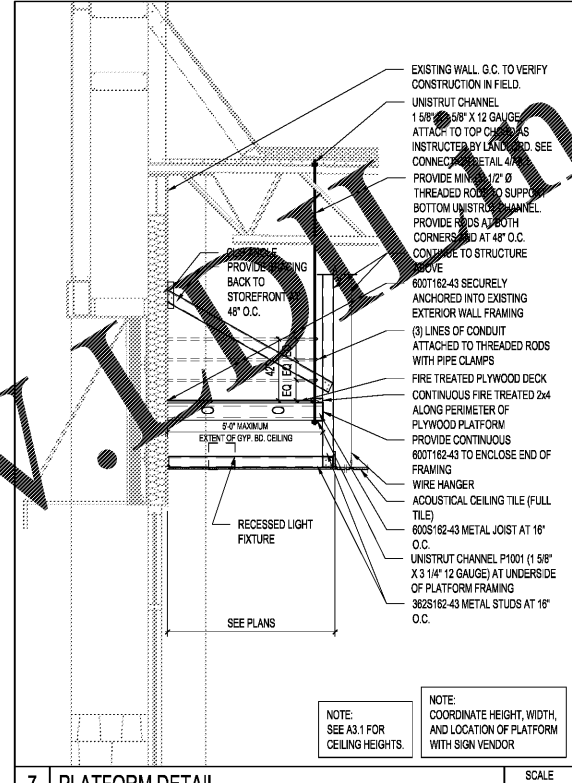


REVISIONS	DATE
LL & ULTA REVIEW	09/03/2019
BID ISSUE	09/03/2019
PERMIT ISSUE	09/04/2019

robert g. lyon + associates, inc.
1111 S. W. 11th St., Suite 111
5100 River Road, Ste 125
Schiller Park, IL 60176
Tel: 847.671.4420
www.rgla.com

www.DigitalPlans.com

Order Plans @



SCALE: 1/2"=1'-0"

SCALE: 3/4"=1'-0"

SCALE: 1"=1'-0"

SCALE: 3/4"=1'-0"

SCALE: 1-1/2"=1'-0"

SCALE: 3/4"=1'-0"

SCALE: 1"=1'-0"

SCALE: 3/4"=1'-0"

ULTA
ULTA #1813
SHOPPES OF MADISON
8201 HIGHWAY 72 WEST
SUITE C
MADISON, AL 35758

DETAILS

DESIGN BY	IA
CHECKED BY	PK
JOB NUMBER	19047
SHEET NAME	A3.3