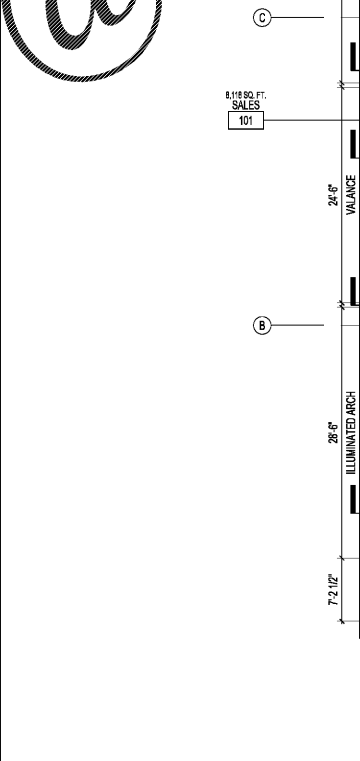
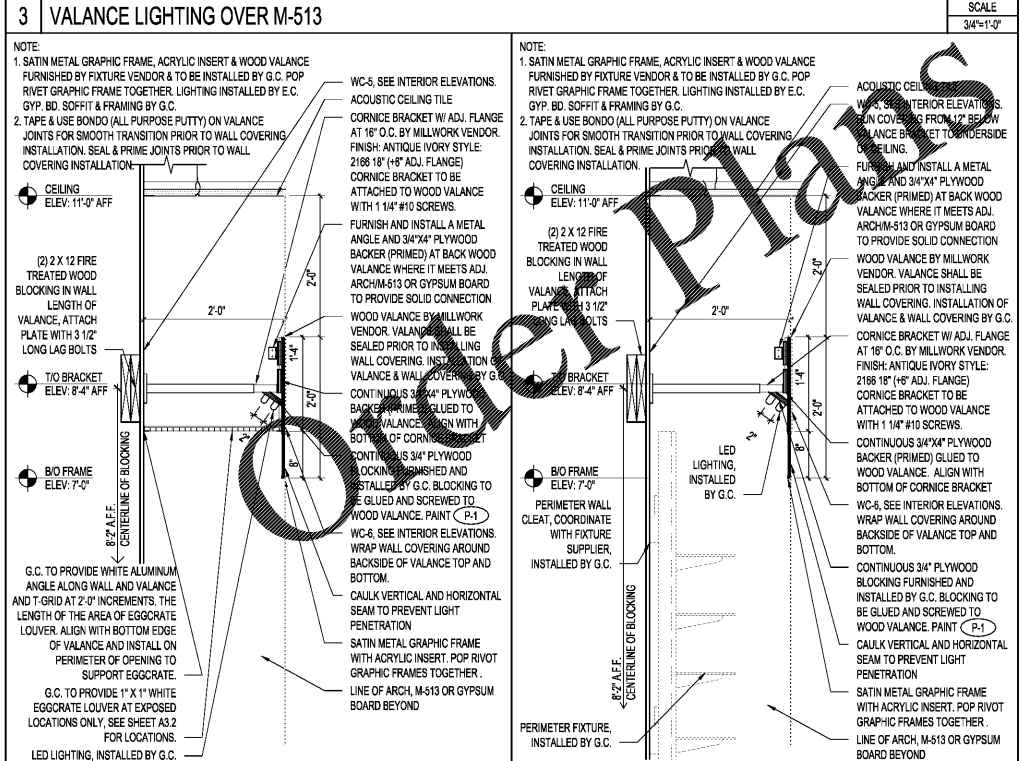
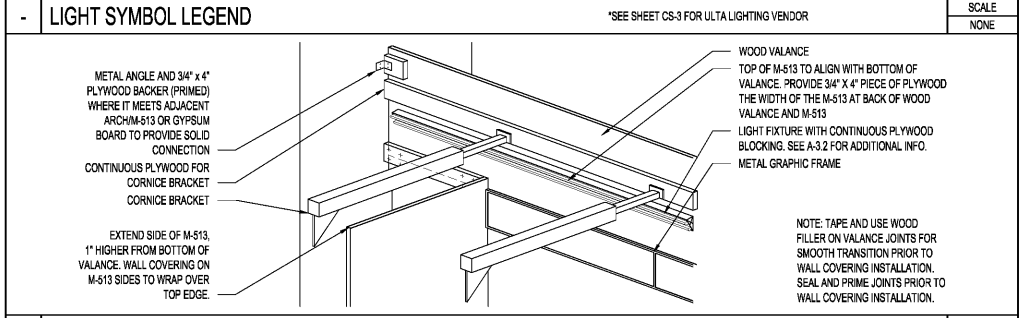


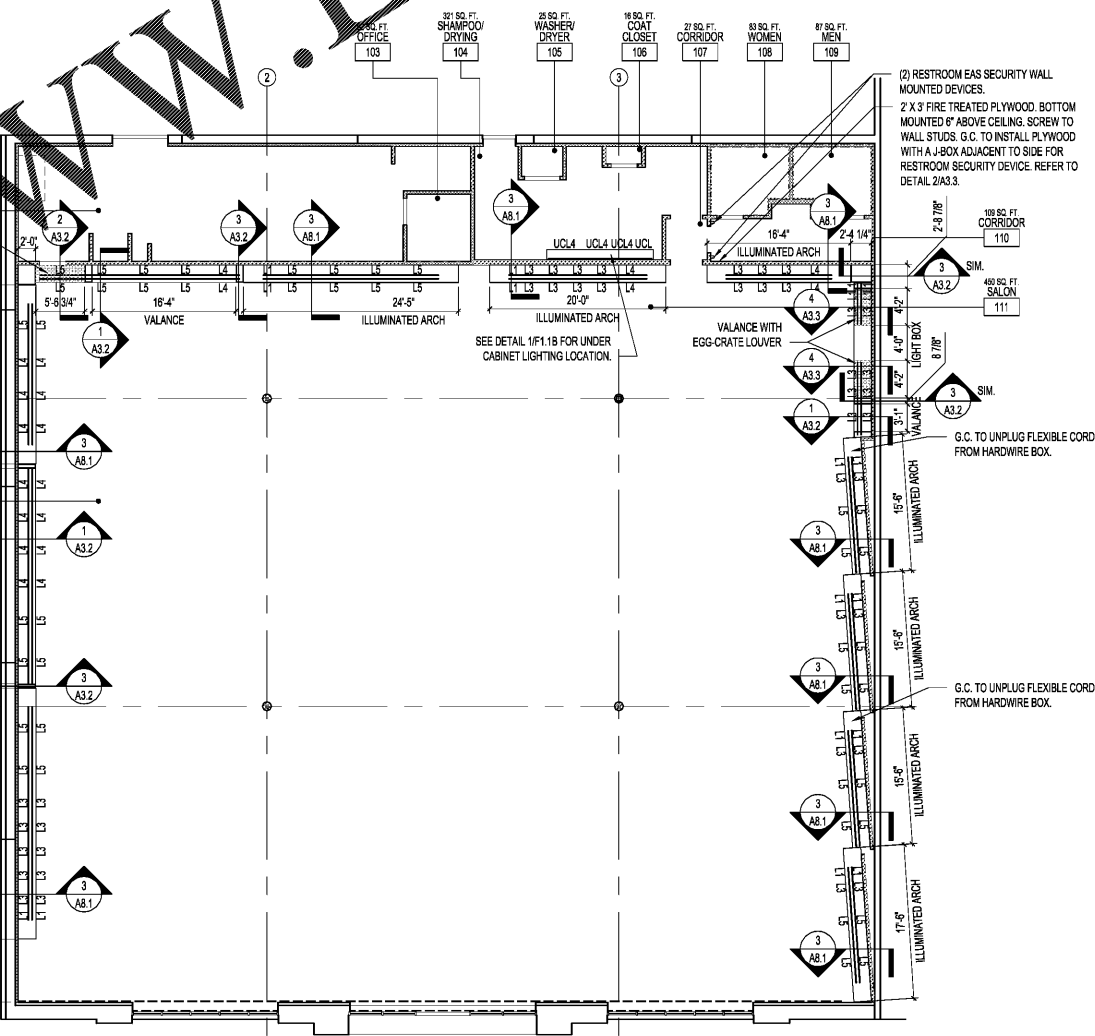
NOTE:  
 1. G.C. TO REFER TO ELEVATIONS AND ALL OTHER SHEETS FOR ADDITIONAL CEILING/SOFFIT INFORMATION AND DETAILS. CONTACT ARCHITECT WITH QUESTIONS PRIOR TO PROCEEDING.  
 2. ALL CONDUIT AND J-BOXES/HARD WIRE BOXES TO BE SUPPORTED BY WIRE INDEPENDENT FROM ACoustICAL CEILING.  
 3. FIXTURE RUN DIMENSIONS ARE SHOWN FOR REFERENCE ONLY. CONFIRM ACTUAL MILLWORK DIMENSIONS WITH FIXTURE MANUFACTURER.

LIGHTING NOTES AT WALL FIXTURES:  
 1. AT ILLUMINATED ARCHES, FIXTURE WORK STOPS AT CEILING. REFER TO 3A8.1 AND ELECTRICAL DRAWINGS FOR ADDITIONAL INFORMATION. ACoustICAL CEILING TO EXTEND TO PERIMETER WALL.  
 2. AT VALANCE LOCATIONS CENTER GROUP OF LED LIGHT FIXTURES OVER RUN OF MILLWORK LEAVING BLANK AREAS ON EACH END.

SYMBOL	DESCRIPTION	SYMBOL	DESCRIPTION
L1	11" LINEAR ELITE - LED		
L2	21.5" LINEAR ELITE - LED		
L3	33" LINEAR ELITE - LED		
L4	45" LINEAR ELITE - LED		
L5	57" LINEAR ELITE - LED		
UCL	7.38" UNDER CABINET LED LIGHTING. FIXTURE TO BE MOUNTED TO UNDERSIDE OF CABINET. REFER TO LIGHTING FIXTURE SCHEDULE ON ELECTRICAL DRAWINGS FOR TYPE OF LIGHT FIXTURE		
UCL1	11.18" UNDER CABINET LED LIGHTING. FIXTURE TO BE MOUNTED TO UNDERSIDE OF CABINET. REFER TO LIGHTING FIXTURE SCHEDULE ON ELECTRICAL DRAWINGS FOR TYPE OF LIGHT FIXTURE		
UCL2	22.18" UNDER CABINET LED LIGHTING. FIXTURE TO BE MOUNTED TO UNDERSIDE OF CABINET. REFER TO LIGHTING FIXTURE SCHEDULE ON ELECTRICAL DRAWINGS FOR TYPE OF LIGHT FIXTURE		
UCL3	33.18" UNDER CABINET LED LIGHTING. FIXTURE TO BE MOUNTED TO UNDERSIDE OF CABINET. REFER TO LIGHTING FIXTURE SCHEDULE ON ELECTRICAL DRAWINGS FOR TYPE OF LIGHT FIXTURE		
UCL4	44.18" UNDER CABINET LED LIGHTING. FIXTURE TO BE MOUNTED TO UNDERSIDE OF CABINET. REFER TO LIGHTING FIXTURE SCHEDULE ON ELECTRICAL DRAWINGS FOR TYPE OF LIGHT FIXTURE		



1 VALANCE DETAIL SCALE 1/8"=1'-0"



A ARCH AND VALANCE LIGHTING PLAN SCALE 1/8"=1'-0"

RGLA  
 rglasolutions, inc.  
 5100 River Road, Ste 125  
 Schiller Park, IL 60176  
 p. 847.671.4433  
 f. 847.671.4200  
 www.rgla.com

REVISIONS	DATE
LL & ULTA REVIEW	09/03/2019
SD ISSUE	09/03/2019
PERMIT ISSUE	09/04/2019

robert g. lyon + associates, inc.  
 1111 S. W. 11th St., Suite 110  
 5100 River Road, Ste 125  
 Schiller Park, IL 60176  
 P. 847.671.4433  
 F. 847.671.4200  
 www.rgla.com

THE ABOVE DRAWINGS AND SPECIFICATIONS REPRESENT THE DESIGN AND CONCEPTS OF THE ARCHITECT AND SHALL BE USED BY THE CONTRACTOR AS A GUIDE ONLY. THE CONTRACTOR SHALL BE RESPONSIBLE FOR OBTAINING ALL NECESSARY PERMITS AND FOR VERIFYING THE EXISTING CONDITIONS OF THE PROJECT. THE CONTRACTOR SHALL BE RESPONSIBLE FOR OBTAINING ALL NECESSARY PERMITS AND FOR VERIFYING THE EXISTING CONDITIONS OF THE PROJECT. THE CONTRACTOR SHALL BE RESPONSIBLE FOR OBTAINING ALL NECESSARY PERMITS AND FOR VERIFYING THE EXISTING CONDITIONS OF THE PROJECT.

ULTA BEAUTY

ULTA #1813  
 SHOPS OF MADISON  
 8201 HIGHWAY 72 WEST  
 SUITE C  
 MADISON, AL 35758

ARCH AND VALANCE  
 LIGHTING PLAN  
 AND DETAILS

DESIGNED BY	IA
CHECKED BY	PK
DATE	19047
SHEET NAME	A3.2