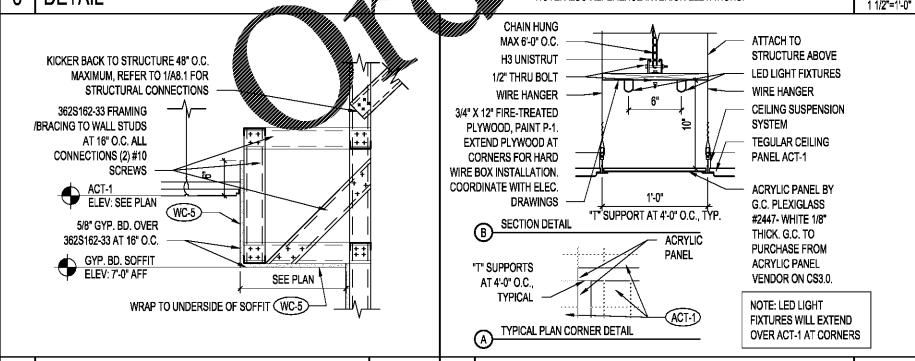
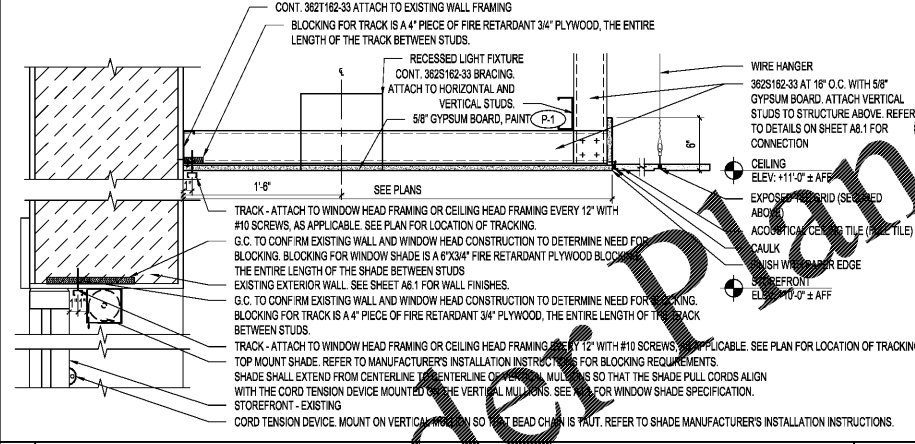
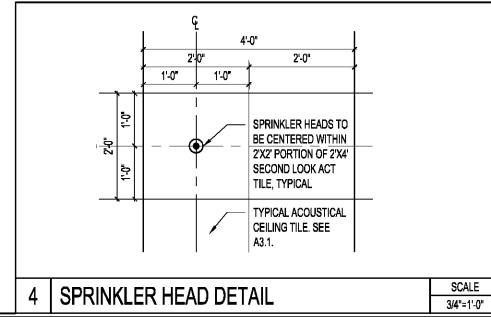


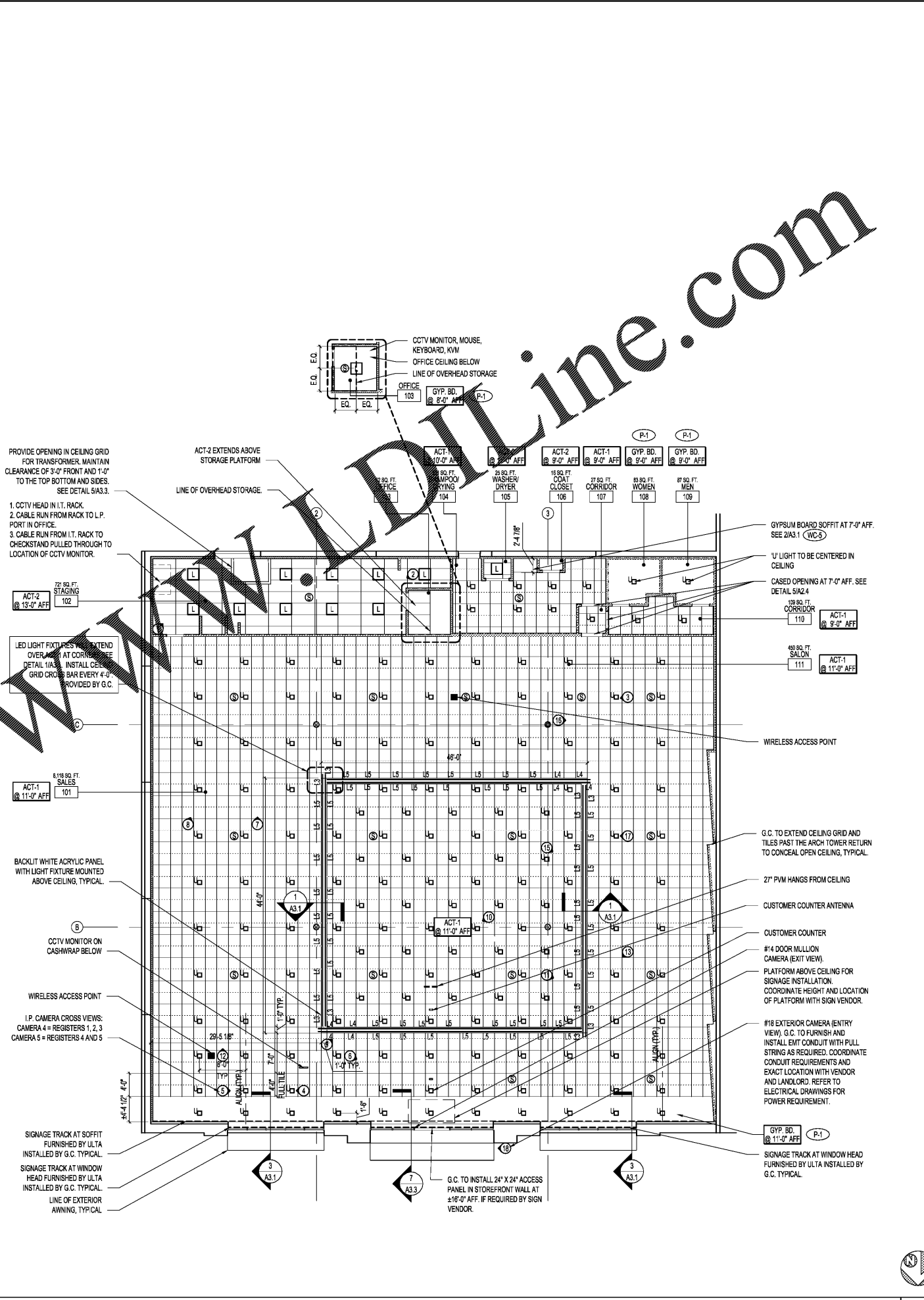
SYMBOL	DESCRIPTION	SYMBOL	DESCRIPTION
	LED PANEL LIGHTING		GRAPHIC TRACK
	11' LINEAR ELITE - LED		SPEAKERS BY MUSIC VENDOR (DOME SPEAKER IN SKINCARE ROOM), G.C. TO PROVIDE CEILING GRID SUPPORT WIRES ONE AT EACH CORNER OF CEILING TILE CONTAINING SPEAKER.
	21.5' LINEAR ELITE - LED		EMERGENCY LED EXIT LIGHT WITH BATTERY BACKUP
	33' LINEAR ELITE - LED		SURFACE MOUNTED (2) HEAD EMERGENCY LED LIGHT WITH BATTERY BACKUP
	45' LINEAR ELITE - LED		CEILING/PENDANT MOUNTED (2) HEAD EMERGENCY LED LIGHT WITH BATTERY BACKUP
	57' LINEAR ELITE - LED		OUTDOOR SURFACE MOUNTED (2) HEAD EMERGENCY LED LIGHT WITH BATTERY BACKUP
	LED DOWNLIGHT		SUPPLY DIFFUSER GRILLE, VERIFY WITH MECHANICAL DRAWINGS
	LED DOWNLIGHT, FIXTURE WIRED TO EMERGENCY SYSTEM		RETURN DIFFUSER GRILLES, VERIFY WITH MECHANICAL DRAWINGS
	LED LINEAR RECESSED		SECURITY CAMERA BY ULTA VENDOR. COORDINATE FINAL LOCATIONS WITH ULTA
			GLASS BREAK SENSORS BY ULTA VENDOR. REFER TO ELECTRICAL DRAWINGS FOR POWER REQUIREMENTS. COORDINATE FINAL LOCATIONS WITH ULTA

REFER TO LIGHTING PLAN ON ELEC. DRAWINGS FOR TYPE OF LIGHT FIXTURES

CEILING SYMBOL LEGEND SCALE NONE



NOTE:
 1. G.C. TO REFER TO ELEVATIONS AND ALL OTHER SHEETS FOR ADDITIONAL CEILING/SOFFIT INFORMATION AND DETAILS. CONTACT ARCHITECT WITH QUESTIONS PRIOR TO PROCEEDING.
 2. CEILING ELEVATION TO BE 11'-0" FROM HIGHEST POINT OF FLOOR SLAB.
 3. ALL CONDUIT AND J-BOXES/HARD WIRE BOXES TO BE SUPPORTED BY WIRE INDEPENDENT FROM ACOUSTICAL CEILING.
 4. FOR SPRINKLER HEAD LOCATIONS, SEE DETAIL 4A3.1.
 5. FOR SALES FLOOR GENERAL LIGHT FIXTURES LOCATIONS, SEE DETAIL 1A3.3.
 6. FOR CEILING TILE AT COLUMN LOCATIONS, SEE DETAIL 3A3.3.
 7. G.C. TO USE MANUFACTURER APPROVED VINYL LATEX TOUCH UP PAINT ON ALL CUT EDGES OF ACOUSTICAL PANELS.
 8. FOR INSULATION ABOVE CEILING, DO NOT OVERLAY INSULATION ON TOP OF LIGHT FIXTURE.
 9. SEE MECHANICAL DRAWINGS FOR DIFFUSER LOCATIONS. ARCHITECTURAL DRAWINGS DETERMINE LUMINAIRE LOCATION AND OTHER ARCHITECTURAL ITEMS AND SUPERCEDE ALL OTHER CEILING APPURTENANCES.



REFER TO SHEET E1.1 FOR LOCATION OF EXIT SIGNS AND EMERGENCY LIGHTING

ARMSTRONG CEILING TILES BETH RINEHART (NATIONAL ACCT. REP.) (P) 800-442-4212

ARMSTRONG PRODUCT #2712 DUNE 2' X 4' SECOND LOOK II #769 CORTEGA 2' X 4' #7301 12' MAIN RUNNER HEAVY DUTY #XL7346 4' CROSS TEE #XL7342 4' CROSS TEE HEAVY DUTY #XL7328 2' CROSS TEE #7800 12' WALL MOLDING #7808 10' WALL MOLDING 2' X 2' SEISMIC #XL7318 1' CROSS TEE BEHC 2 SEISMIC CLIP

NOTE: LED LIGHT FIXTURES WILL EXTEND OVER ACT-1 AT CORNERS

rgla solutions, inc.
 5100 River Road, Ste 125
 Schiller Park, IL 60176
 P: 847.671.1433
 F: 847.671.4200
 www.rgla.com

REVISIONS DATE

LL & ULTA REVIEW	09/03/2018
BD ISSUE	09/03/2018
PERMIT ISSUE	09/04/2018

DESIGNED BY: IA
 CHECKED BY: PK
 JOB NUMBER: 19047
 SHEET NAME: A3.1

robot g. lyon + associates, inc.
 111 W. Lake Street, Suite 110
 5100 River Road, Ste 125
 Schiller Park, IL 60176
 P: 847.671.1433
 F: 847.671.4200
 www.rgla.com

THE ABOVE DRAWINGS AND SPECIFICATIONS ARE THE PROPERTY OF RGLA AND SHALL REMAIN THE PROPERTY OF THIS OFFICE AND NO PART THEREOF SHALL BE COPIED, REPRODUCED, OR TRANSMITTED IN ANY FORM OR BY ANY MEANS, ELECTRONIC OR MECHANICAL, WITHOUT THE WRITTEN CONSENT OF THIS OFFICE. VISUAL CONTACT WITH THESE DRAWINGS OR SPECIFICATIONS SHALL CONSTITUTE A BREACH OF THIS AGREEMENT AND ACCEPTANCE OF THESE REQUIREMENTS.

WRITTEN AGREEMENT ON THESE DRAWINGS SHALL BE PROVIDED TO ALL PROJECT OWNERS. CONTRACTORS SHALL VERIFY AND BE RESPONSIBLE FOR ALL DIMENSIONS AND CONDITIONS OF THE PROJECT BEFORE COMMENCING WORK. THE PROJECT OWNER SHALL BE RESPONSIBLE FOR THE ACCURACY OF THE INFORMATION PROVIDED AND SHALL BE RESPONSIBLE FOR OBTAINING ALL NECESSARY PERMITS AND APPROVALS FROM THE APPROPRIATE AGENCIES.

ULTA BEAUTY

ULTA #1813
 SHOPS OF MADISON
 8201 HIGHWAY 72 WEST
 SUITE C
 MADISON, AL 35758

REFLECTED CEILING PLAN AND DETAILS

SCALE 1/8"=1'-0"