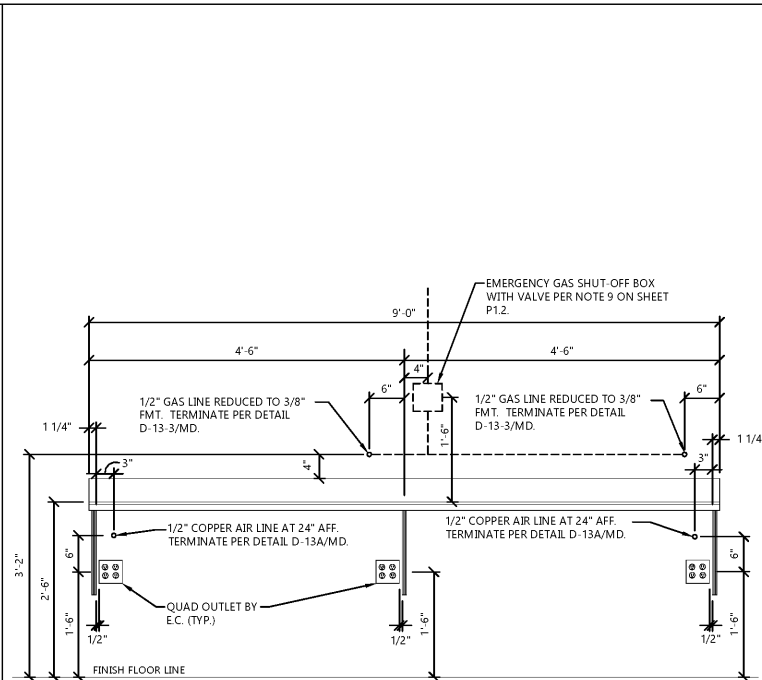
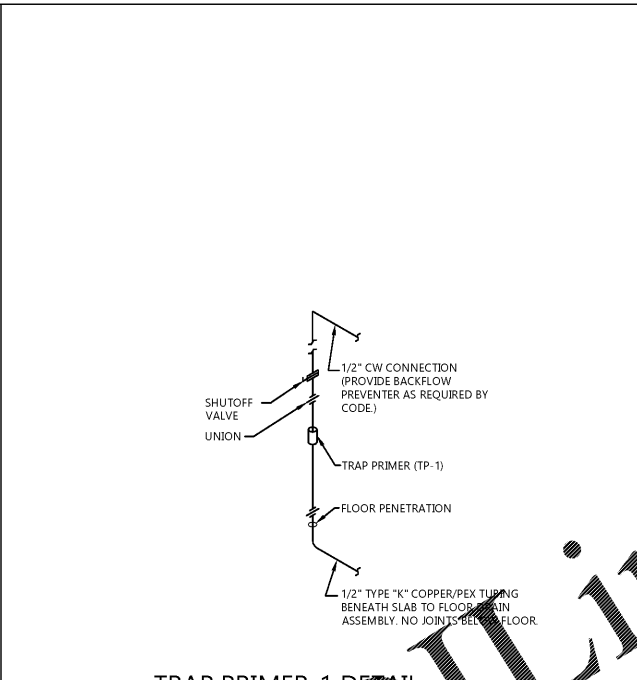


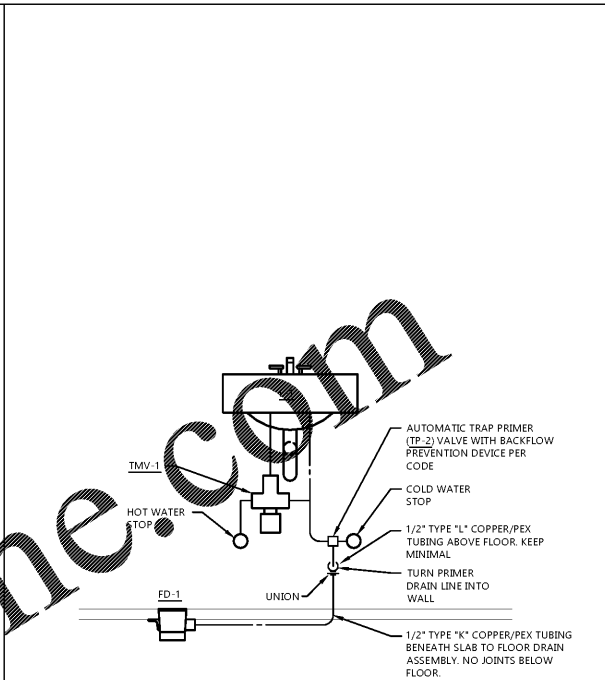
4 WATER HEATER PIPING DETAIL
P3.0 NO SCALE



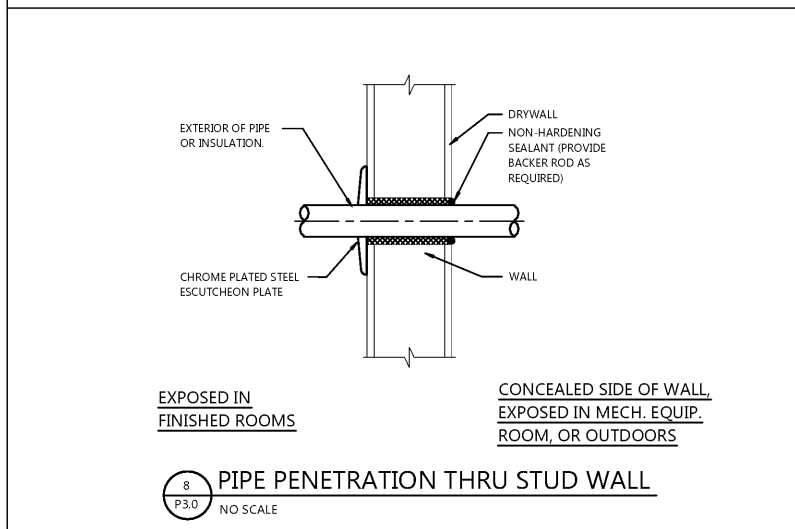
3 LAB WORK STATION ELEVATION
P3.0 NO SCALE



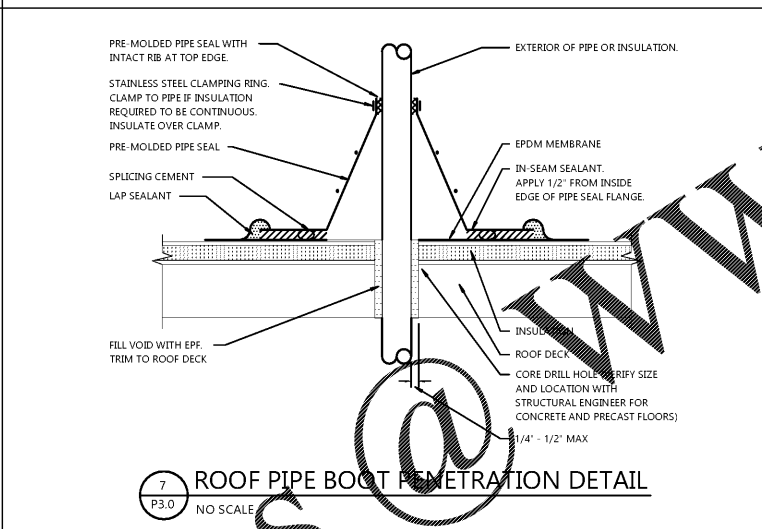
2 TRAP PRIMER-1 DETAIL: SINGLE FLOOR DRAIN CONNECTIONS
P3.0 NO SCALE



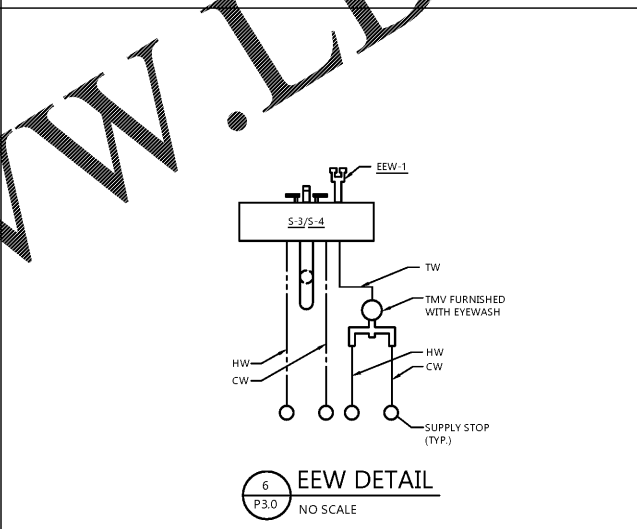
1 TRAP PRIMER-2 DETAIL
P3.0 NO SCALE



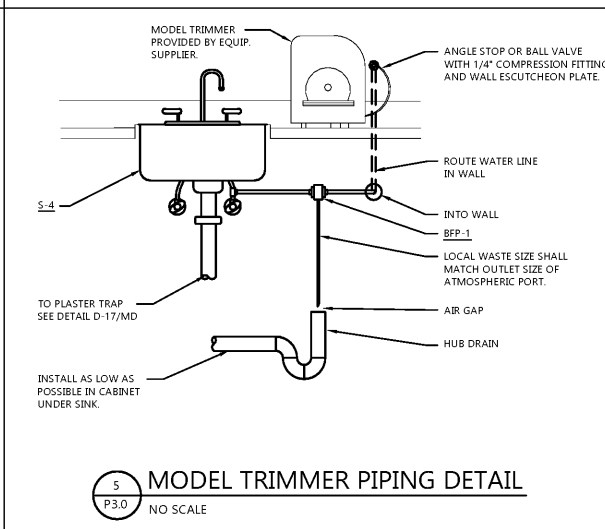
8 PIPE PENETRATION THRU STUD WALL
P3.0 NO SCALE



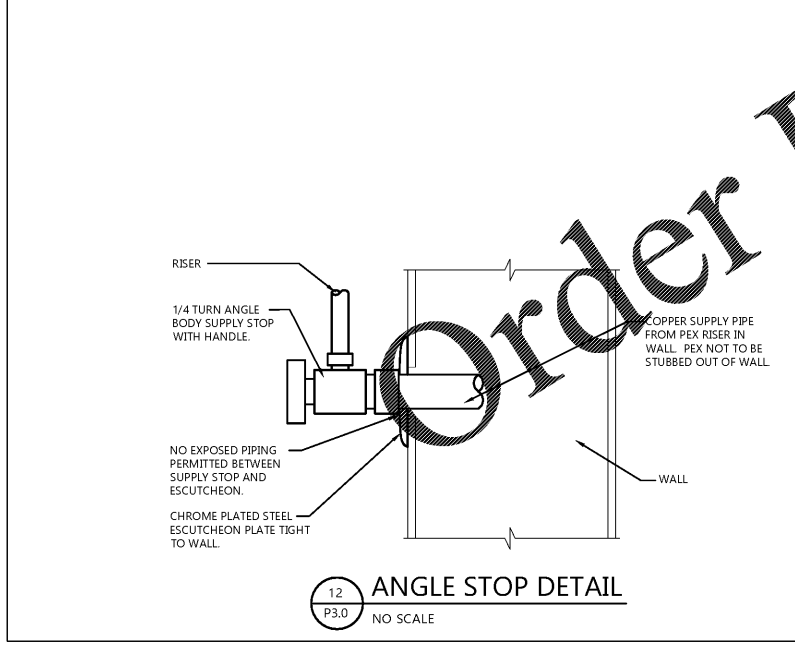
7 ROOF PIPE BOOT PENETRATION DETAIL
P3.0 NO SCALE



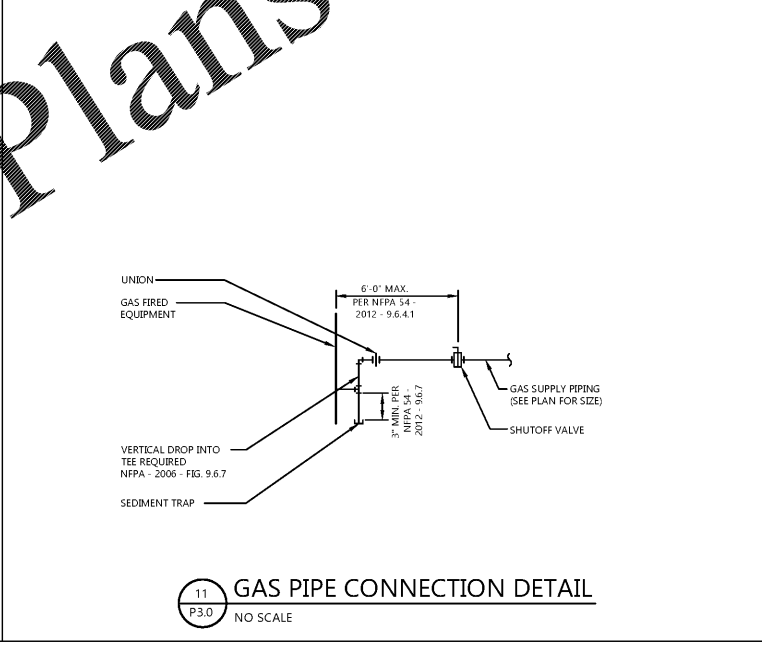
6 EEW DETAIL
P3.0 NO SCALE



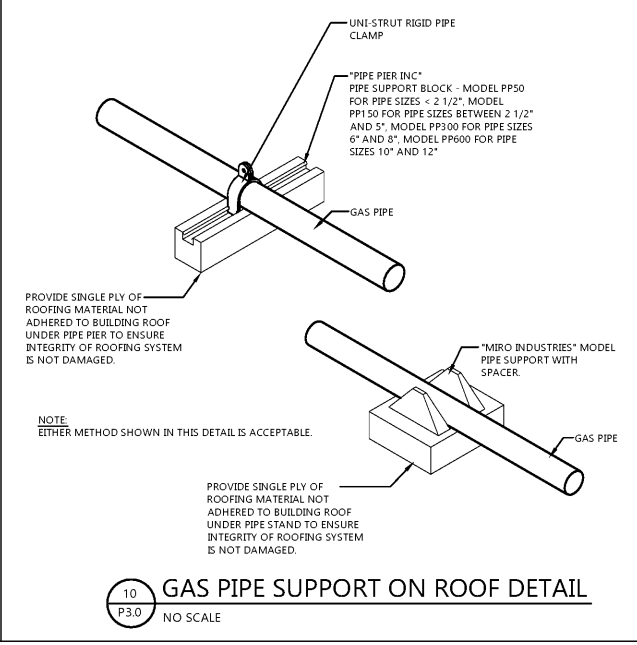
5 MODEL TRIMMER PIPING DETAIL
P3.0 NO SCALE



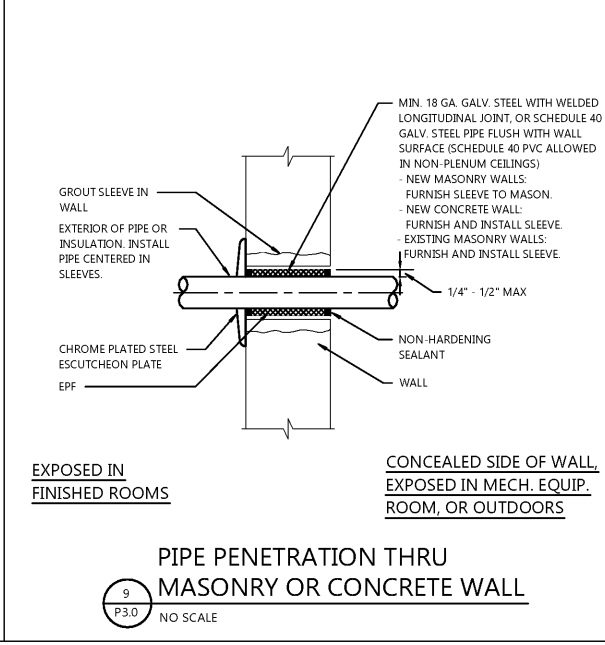
12 ANGLE STOP DETAIL
P3.0 NO SCALE



11 GAS PIPE CONNECTION DETAIL
P3.0 NO SCALE



10 GAS PIPE SUPPORT ON ROOF DETAIL
P3.0 NO SCALE



9 PIPE PENETRATION THRU MASONRY OR CONCRETE WALL
P3.0 NO SCALE