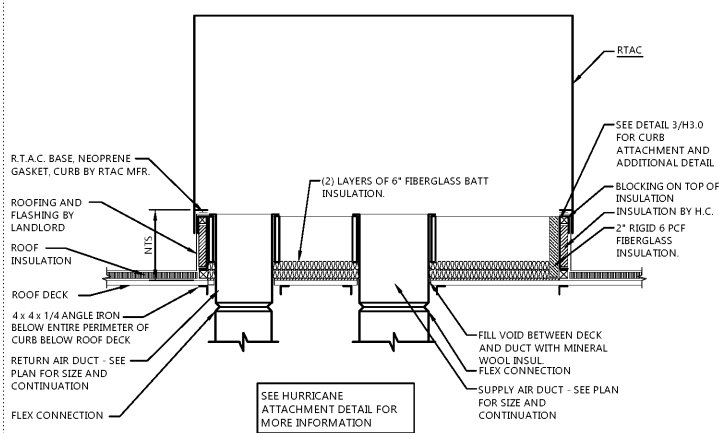
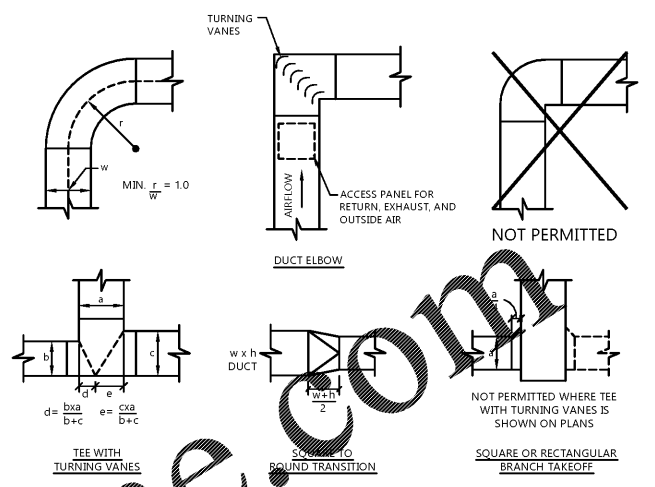


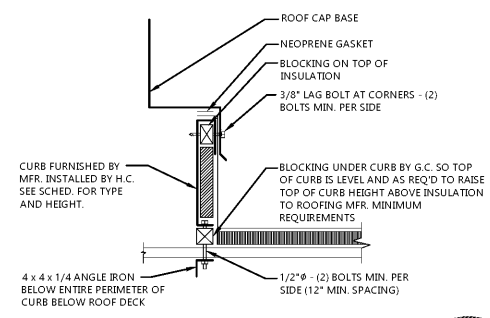
3 RTAC AND CURB HURRICANE ATTACHMENT DETAIL
H3.0 NO SCALE



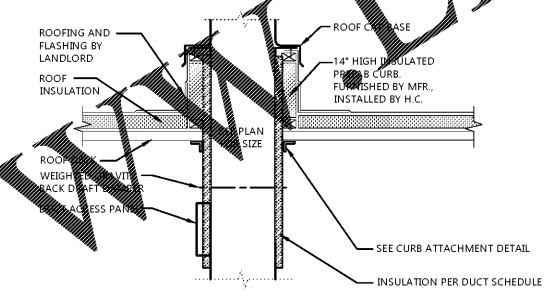
2 TYPICAL RTAC AND CURB DETAIL
H3.0 NO SCALE



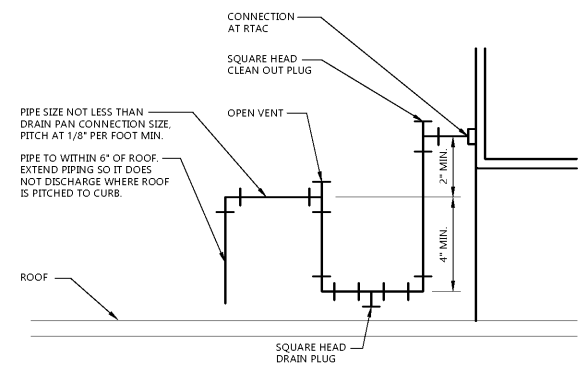
1 DUCT FITTING DETAILS
H3.0 NO SCALE



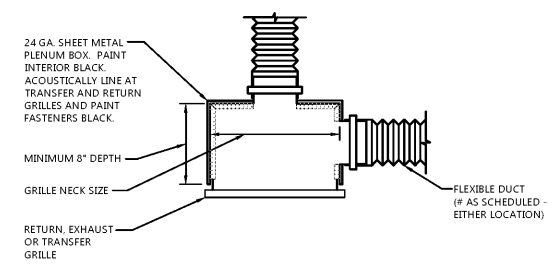
6 ROOF CAP CURB HURRICANE ATTACHMENT DETAIL
H3.0 NO SCALE



5 ROOF CAP AND CURB DETAIL
H3.0 NO SCALE



4 RTAC CONDENSATE DRAIN TRAP PIPING DETAIL
H3.0 NO SCALE



7 GRILLE PLENUM BOX DETAIL
H3.0 NO SCALE

Order Plans @

WWW.DIline.com

PROJECT INFORMATION

TENANT BUILD-OUT FOR:
ASPEN DENTAL
660 W. LINTON BLVD., STE. 380 • DELRAY BEACH, FL 33444

PROFESSIONAL SEAL

SHEET DATES

| | |
|------------|--------------|
| ISSUE DATE | MAY 29, 2019 |
| REVISIONS | |
| | |
| | |
| | |
| | |
| | |
| | |
| | |

JOB NUMBER

1931400

SHEET NUMBER

H3.0