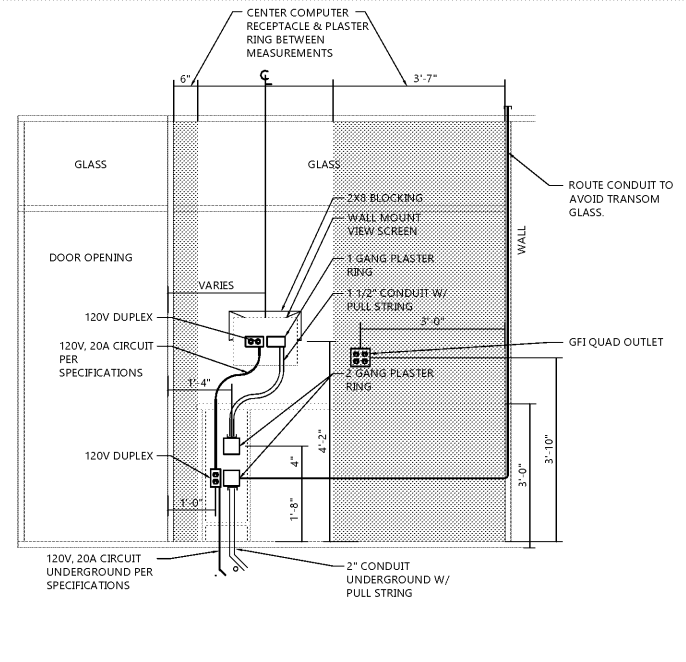
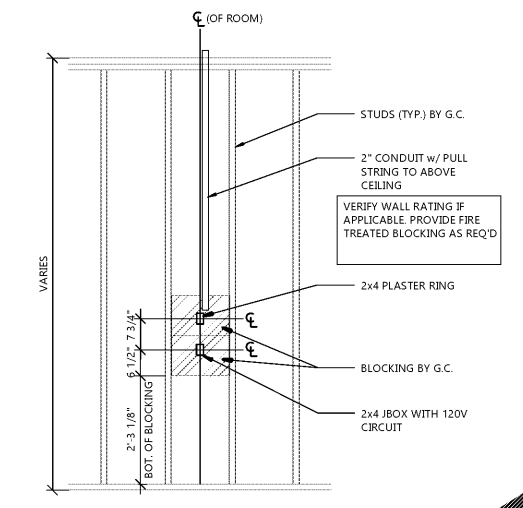


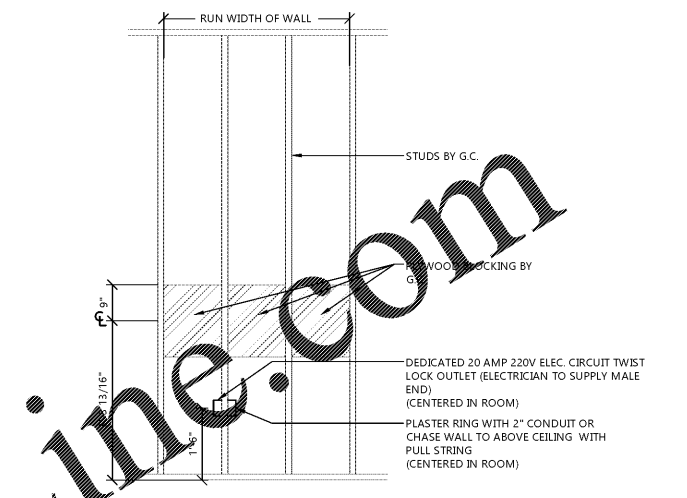
4 TREATMENT ROOM ELEVATION  
E2.0 NO SCALE



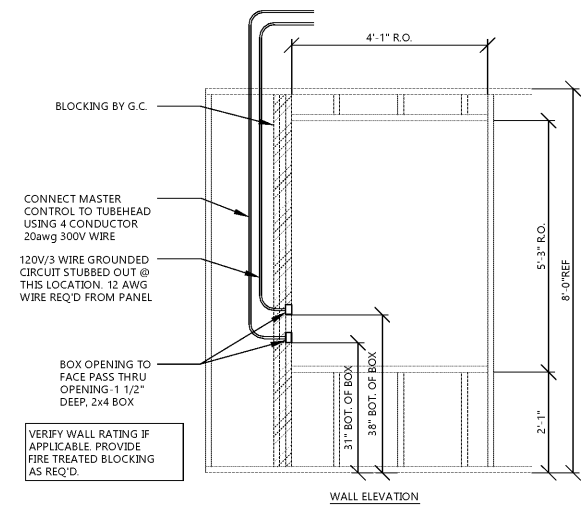
3 TREATMENT ROOM ELEVATION  
E2.0 NO SCALE



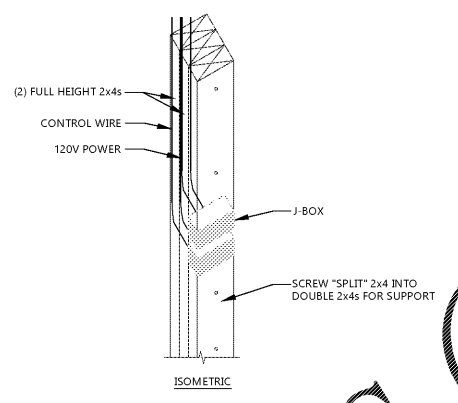
2 CS 2200 X-RAY SUPPORT  
E2.0 NO SCALE



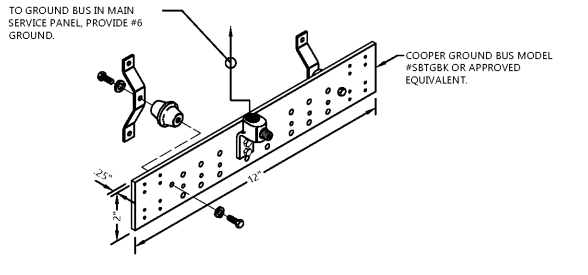
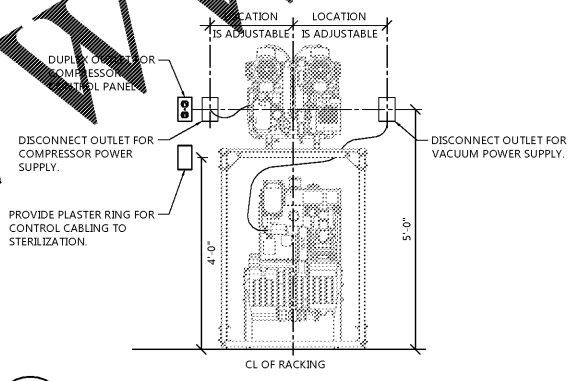
1 PANORAMIC BLOCKING DETAIL  
E2.0 NO SCALE



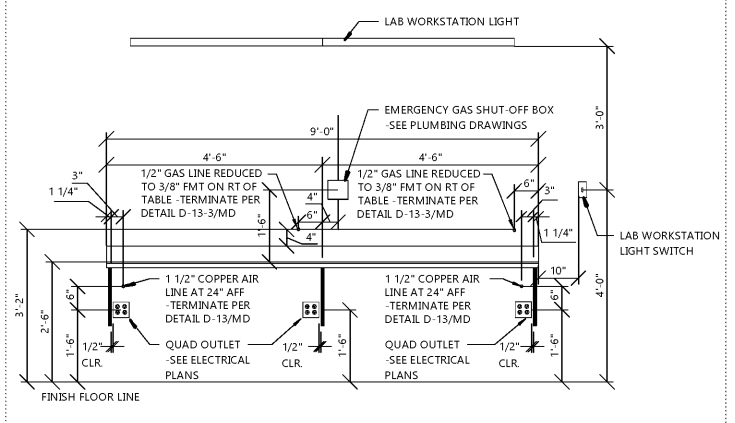
7 PASS THROUGH X-RAY BLOCKING DETAIL  
E2.0 NO SCALE



6 COMPRESSOR / VACUUM RACK DETAIL  
E2.0 NO SCALE



5 TELECOM GROUNDING DETAIL  
E2.0 NO SCALE



8 LAB WORK STATION  
E2.0 NO SCALE

Order Plans @

WWW.LDILINE.COM

PROJECT INFORMATION

TENANT BUILD-OUT FOR:  
**ASPEN DENTAL**  
660 W. LINTON BLVD., STE. 380 • DELRAY BEACH, FL 33444

PROFESSIONAL SEAL

SHEET DATES

ISSUE DATE	MAY 29, 2019
REVISIONS	

JOB NUMBER  
1931400

SHEET NUMBER  
**E2.0**