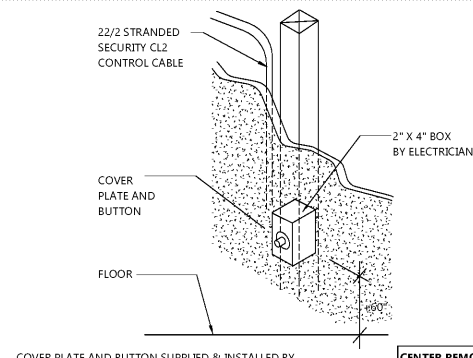


HEAD CONTROL PROVIDED AND INSTALLED BY SULLIVAN-SCHEIN

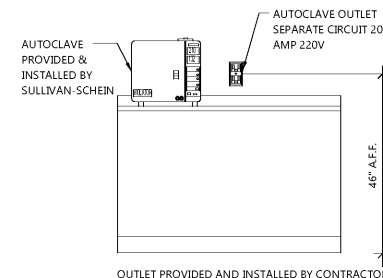
4 X-RAY HEAD CONTROL
MD NOT TO SCALE



COVER PLATE AND BUTTON SUPPLIED & INSTALLED BY SULLIVAN-SCHEIN. WIRING & J BOX BY ELECTRICIAN

CENTER REMOTE SWITCH ON WALL HORIZONTALLY

3 X-RAY REMOTE SWITCH
MD NOT TO SCALE

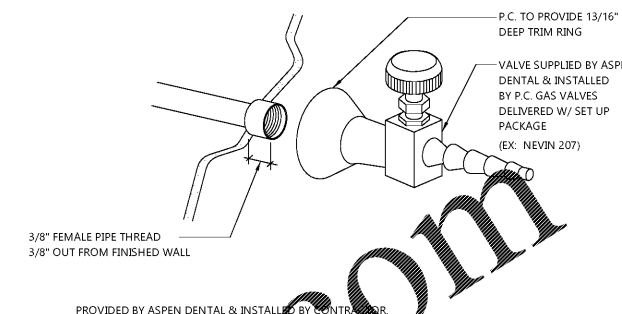


AUTOCLAVE PROVIDED & INSTALLED BY SULLIVAN-SCHEIN

AUTOCLAVE OUTLET SEPARATE CIRCUIT 20 AMP 220V

OUTLET PROVIDED AND INSTALLED BY CONTRACTOR

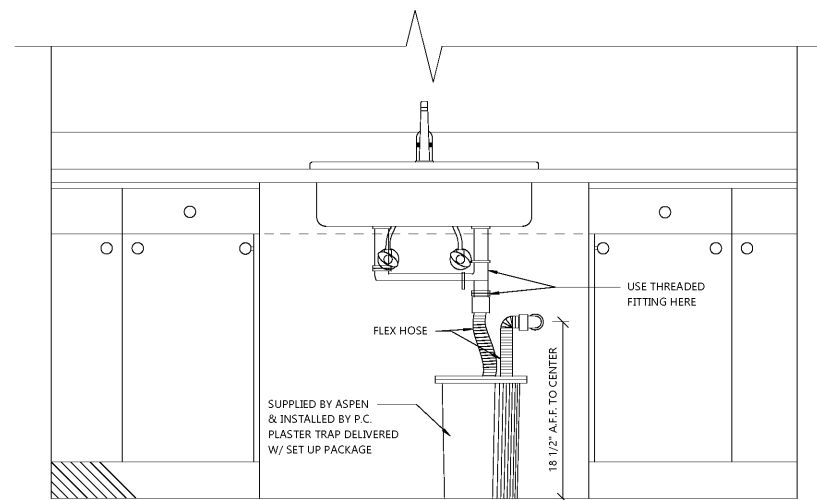
2 AUTOCLAVE OUTLET
MD NOT TO SCALE



3/8" FEMALE PIPE THREAD
3/8" OUT FROM FINISHED WALL

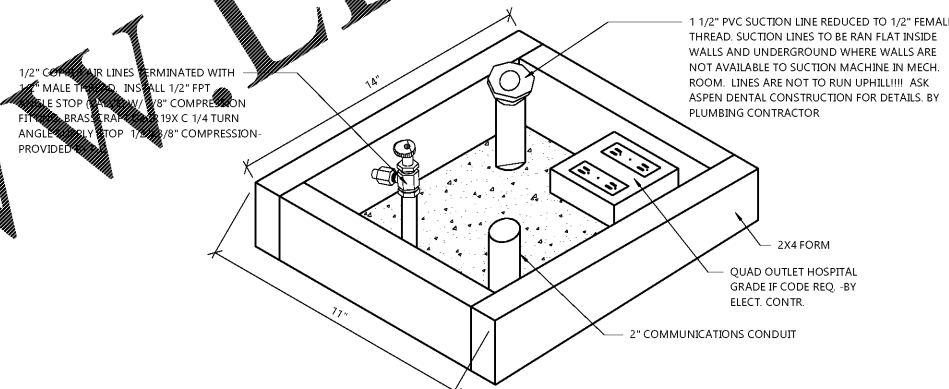
PROVIDED BY ASPEN DENTAL & INSTALLED BY CONTRACTOR

1 LAB GAS VALVE
MD NOT TO SCALE

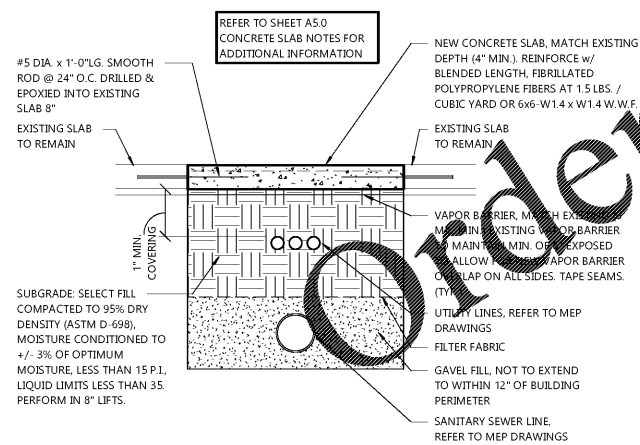


FRONT VIEW

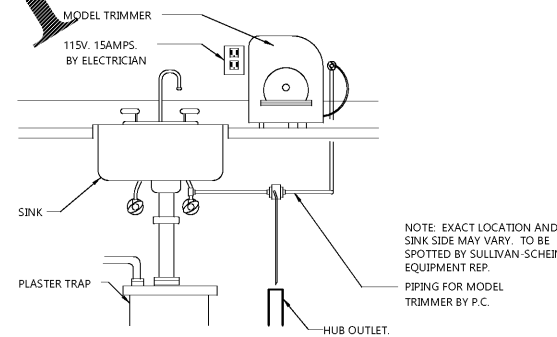
6 PLASTER TRAP
MD NOT TO SCALE



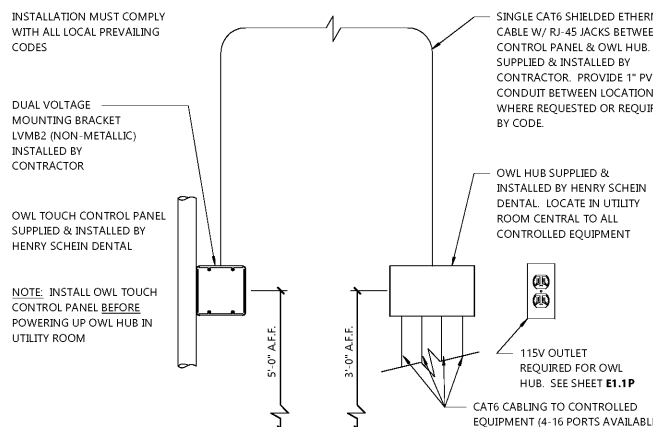
5 FLOOR BOX DETAIL
MD NOT TO SCALE



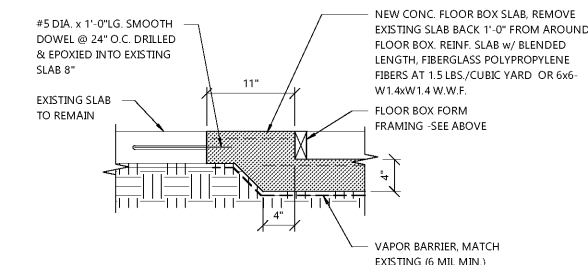
10 TRENCH DETAIL
MD NOT TO SCALE



9 MODEL TRIMMER
MD NOT TO SCALE



8 RAMVAC "OWL TOUCH" CONT. PANEL
MD NOT TO SCALE



7 FLOOR BOX SLAB DETAIL
MD NOT TO SCALE