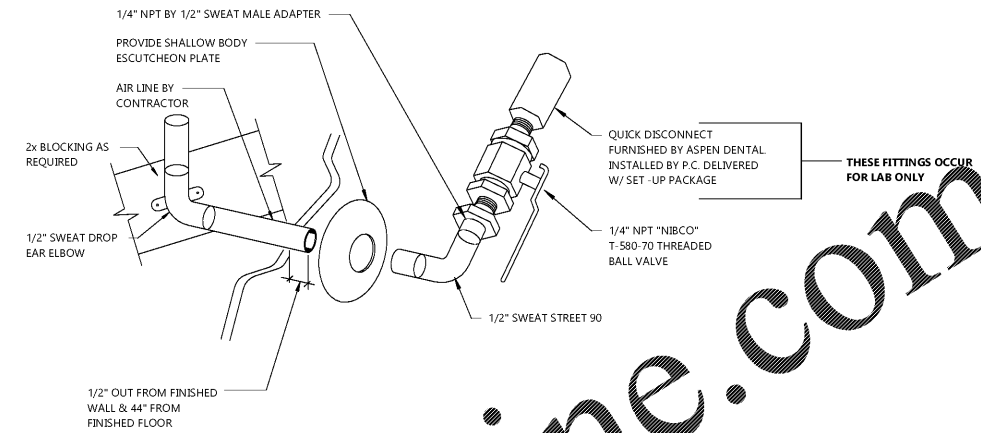
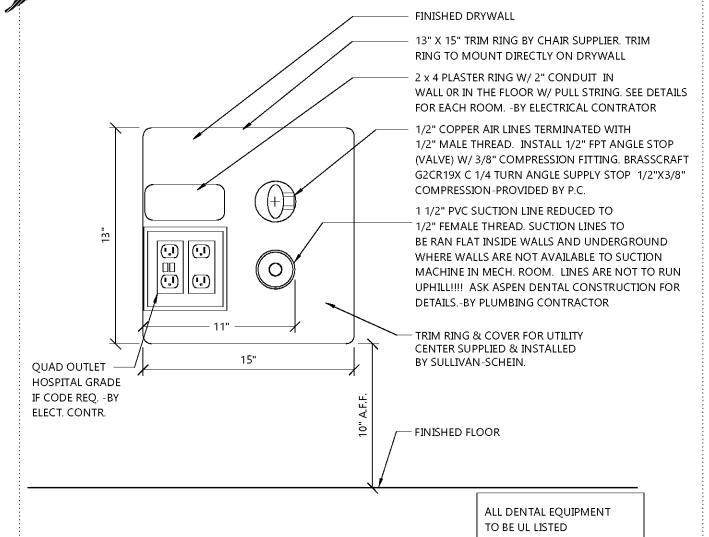


2 SLAB LEAVE OUT @ FLOOR DRAIN DETAIL  
MD.1 NOT TO SCALE



1 AIR VALVE  
MD.1 NOT TO SCALE



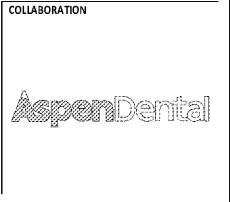
3 WALL UTILITY CENTER  
MD.1 NOT TO SCALE

Order Plans @

WWW.LDILINE.COM



ARCHITECTS • ENGINEERS • SURVEYORS  
Always a Better Plan  
100 Camelot Drive  
Fond Du Lac, WI 54935  
Phone: (920) 926-9800  
www.EXCELENGINEER.com



PROJECT INFORMATION

TENANT BUILD-OUT FOR:  
**ASPEN DENTAL**  
660 W. LINTON BLVD., STE. 380 • DELRAY BEACH, FL 33444

PROFESSIONAL SEAL

SHEET DATES

SHEET ISSUE MAY 29, 2019

REVISIONS

NO.	DATE	DESCRIPTION

JOB NUMBER

1931400

SHEET NUMBER

**MD.1**