

Order Plans @

WWW.DIline.com



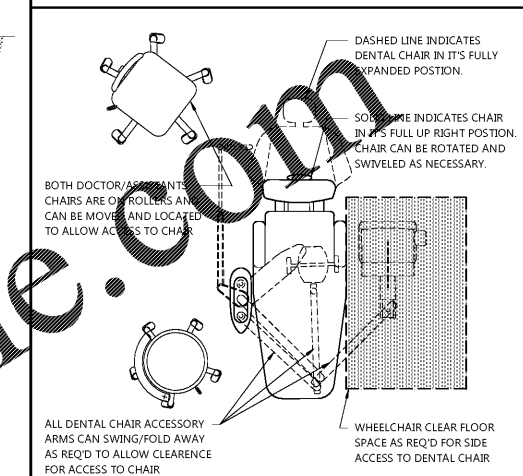
**EGRESS/ACCESSIBILITY KEYNOTES**

① CHAIR SHALL BE RELOCATED AS NECESSARY TO ALLOW ACCESS FOR WHEELCHAIR SPACE  
 Ⓞ CONTRACTOR TO COORDINATE EXIT LIGHT LOCATIONS WITH LOCAL INSPECTION AND FIRE MARSHAL PRIOR TO INSTALL

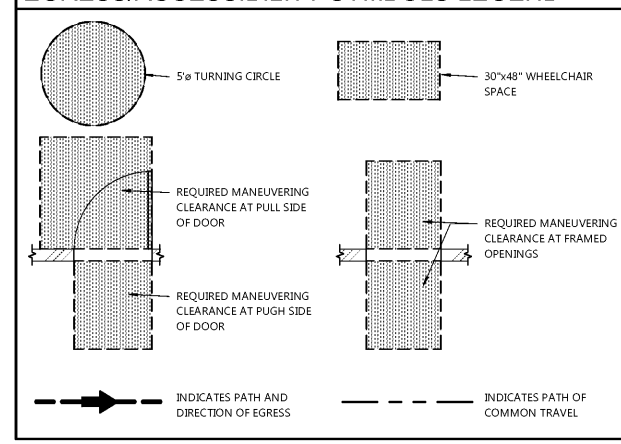
**EGRESS/ACCESSIBILITY NOTES**

ASPEN DENTAL STAFF WILL BE AVAILABLE TO ASSIST ANY PERSON(S) WITH DISABILITY TO MANUEVER AROUND THE FACILITY AS REQ'D PER THAT PATRONS REQUEST

**DENTAL CHAIR DIAGRAM**



**EGRESS/ACCESSIBILITY SYMBOLS LEGEND**



**PROJECT INFORMATION**

TENANT BUILD-OUT FOR:  
**ASPEN DENTAL**  
 660 W. LINTON BLVD., STE. 380 • DELRAY BEACH, FL 33444

PROFESSIONAL SEAL

**SHEET DATES**

SHEET ISSUE MAY 29, 2019

REVISIONS


**JOB NUMBER**

1931400

**SHEET NUMBER**

**AE1.1**