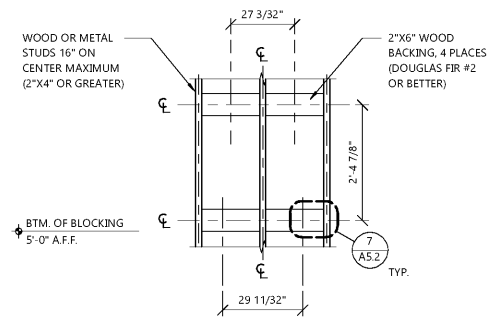
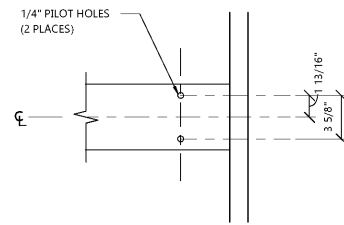


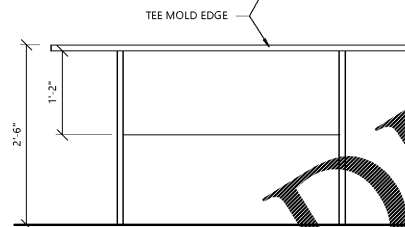
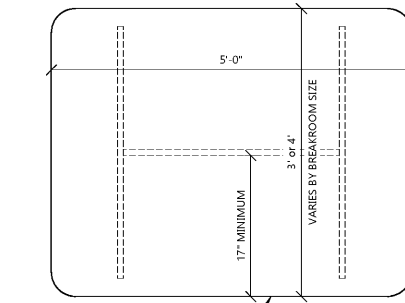
Order Plans @ www.LDILine.com



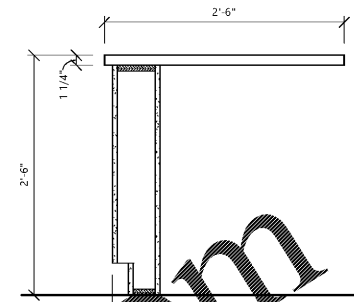
6 BLOCKING DETAIL
A5.2 NOT TO SCALE



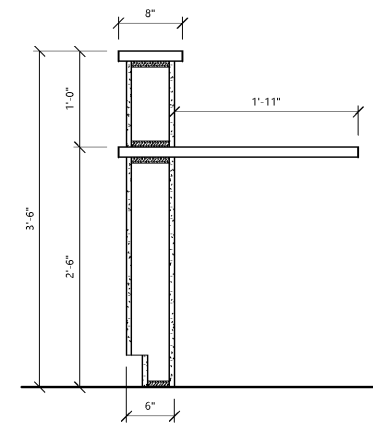
7 BLOCKING DETAIL
A5.2 NOT TO SCALE



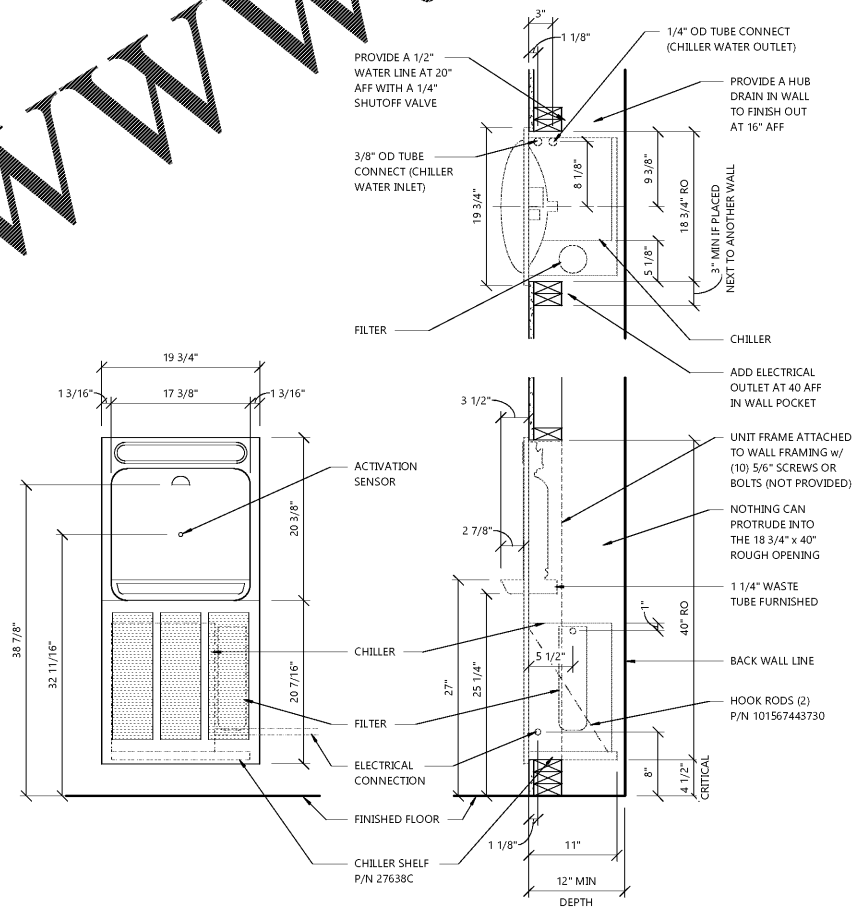
4 BREAK ROOM TABLE
A5.2 NOT TO SCALE



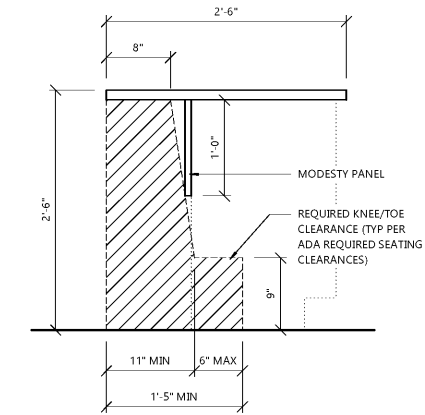
1 RECEPTION ACCESS. CHECK-IN
A5.2 NOT TO SCALE



2 RECEPTION STAND UP CHECK-IN
A5.2 NOT TO SCALE



5 BOTTLE FILLING STATION DETAIL
A5.2 NOT TO SCALE



3 BUSINESS OFFICE SIT DOWN CHECK-OUT
A5.2 NOT TO SCALE

PROJECT INFORMATION

TENANT BUILD-OUT FOR:
ASPEN DENTAL
660 W. LINTON BLVD., STE. 380 • DELRAY BEACH, FL 33444

PROFESSIONAL SEAL

SHEET DATES

SHEET ISSUE MAY 29, 2019

REVISIONS

JOB NUMBER

1931400

SHEET NUMBER

A5.2