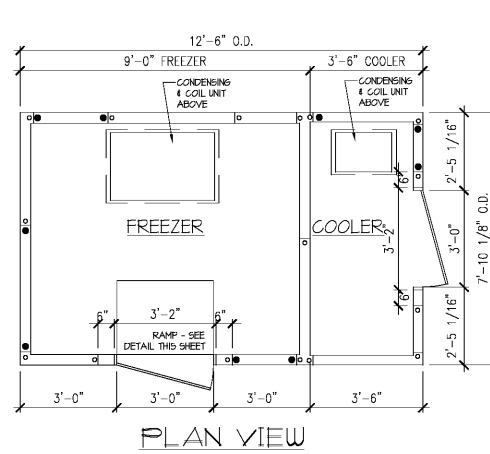
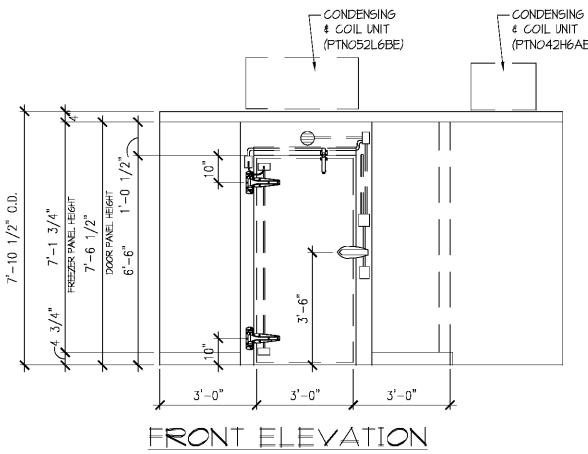


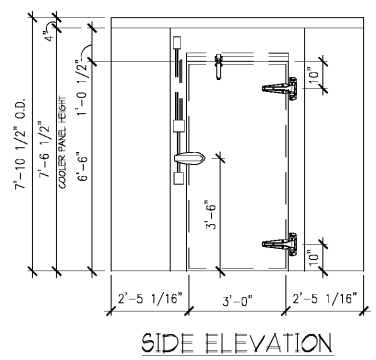
KPS GLOBAL PREFABRICATION
WALK-IN FREEZER/COOLER UNIT



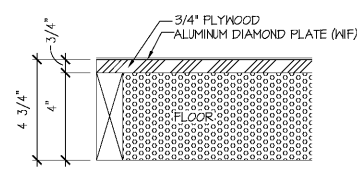
PLAN VIEW



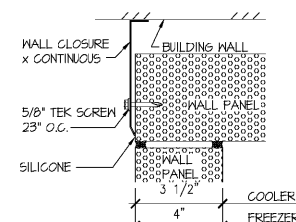
FRONT ELEVATION



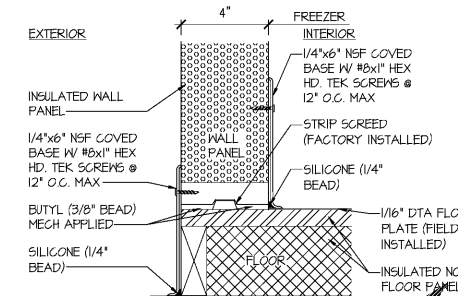
SIDE ELEVATION



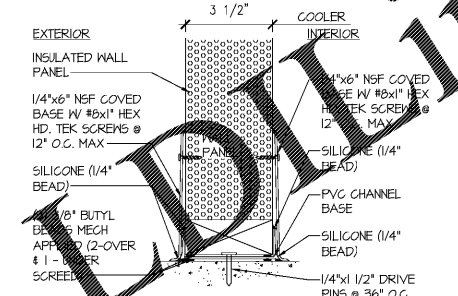
DETAIL 1
WALK-IN FREEZER/COOLER



DETAIL 2
WALK-IN FREEZER/COOLER



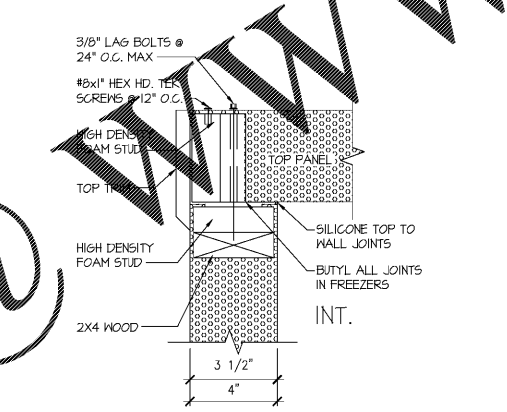
DETAIL 3
WALK-IN FREEZER/COOLER



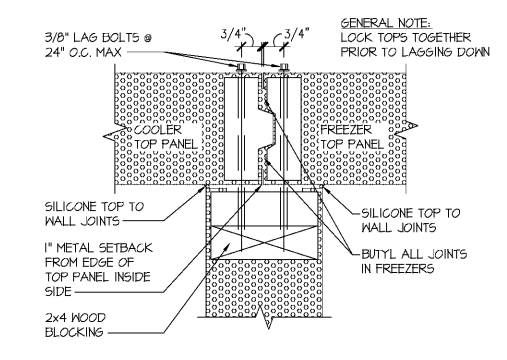
DETAIL 4
WALK-IN FREEZER/COOLER

- GENERAL NOTES:**
- ALL WALK-INS ARE DESIGNED FOR INDOOR APPLICATION UNLESS NOTED OTHERWISE.
 - PENETRATIONS AND SEALING OF PENETRATIONS - ARE THE RESPONSIBILITY OF OTHERS.
 - PROVIDE 6" MINIMUM CLEARANCE AROUND WALK-IN WITH A MINIMUM AIR CIRCULATION OF 5 CFM FOR EVERY 100 SF OF PANEL SURFACE.
 - PANEL LAYOUT MAY CHANGE BASED ON OPTIMAL MANUFACTURING STANDARDS.
 - WALK-IN TOP IS NOT DESIGNED FOR STORAGE UNLESS NOTED OTHERWISE - TOPS ARE DESIGNED FOR 10 PSF UNIFORMLY DISTRIBUTED.
 - QUARRY TILE OR CONCRETE FLOOR APPLICATIONS: METAL PANEL FACING MAY BE SUSCEPTIBLE TO STAINING DUE TO EXCESSIVE MOISTURE CREATED BY THE HYDRATION OF CONCRETE TYPE MATERIALS. IT IS ABSOLUTELY NECESSARY THAT EACH ROOM BE PROPERLY VENTILATED. SPECIAL PRECAUTIONS MUST ALSO BE TAKEN WHEN USING MURIATIC ACID DUE TO EFFECTS HYDROCHLORIC FUMES HAVE ON METAL MATERIALS.

- IF CONDENSING UNIT IS LOCATED IN THE INTERIOR OF BUILDING A MINIMUM OF 24" OF CLEARANCE IS REQUIRED AROUND TOP AND SIDES.
- FLOOR, CURB, AND FIT DETAILS ARE FOR GENERAL REFERENCE ONLY. THESE DRAWINGS SHOULD NOT BE USED OR INCORPORATED IN THE DESIGN OR PREPARATION OF THE INSULATED FLOOR, SUB-SLAB OR CURBS, WITHOUT HAVING THE DESIGN REVIEWED BY A QUALIFIED ENGINEER. ALL FOOTINGS, FOUNDATION WALLS AND CONCRETE WEAR SLABS ARE THE RESPONSIBILITY OF THE BUILDING ENGINEER OR ARCHITECT.
- THE FOAM PLASTIC USED IN THIS PRODUCT COMPLIES TO THE IBC SECTION 2603 AS FOLLOWS: FLAME SPREAD RATING: 15, SMOKE DEVELOPED RATING: 350 REFER TO INSTALLATION INSTRUCTIONS FOR ASSURING UNIT IS INSTALLED LEVEL AND PLUMB, DOOR OPENING ARE SQUARED, AND FOR LOCK-DOWN TOPS/FLOORS PANEL ASSEMBLY DIRECTIONS.
- ANY UNITS RUNNING AT 32 DEG. AND BELOW REQUIRE BUTYL AT ALL JOINTS - TOPS TO TOPS, WALLS TO WALLS; FLOORS TO FLOORS; WALLS TO TOPS; WALLS TO FLOORS - AS PANELS ARE ASSEMBLED. BUTYL MUST NOT BE EXPOSED.



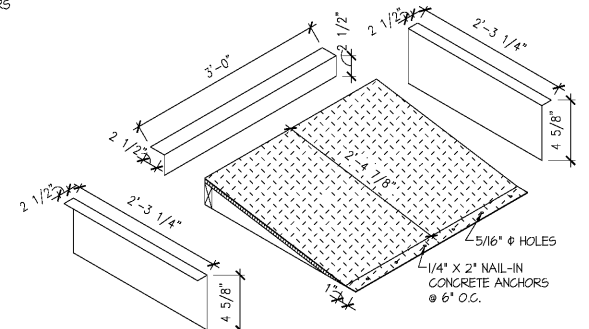
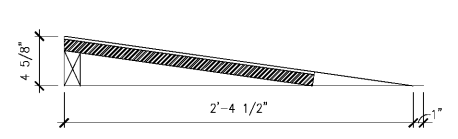
DETAIL 5
WALK-IN FREEZER/COOLER



DETAIL 6
WALK-IN FREEZER/COOLER

Dollar Tree Motor Data

Model	PTN042H6	PTN052L6
Type	Evap	Cond
Part#	25319301	25319301
Size	1/12HP	1/12HP
Qty	1	2



RAMP DETAIL
WALK-IN FREEZER

RAMP SCHEDULE

Q	INT. / EXT.	SIZE	FINISH	RAMP FINISH	D/E	REMARK
1	INT.	36" X 28 1/2" X 4 5/8" H.	ALUM.	050 SMOOTH	125 ALUMINUM DIAMOND PLATE	1 - 2 X 4 ADD.

- GENERAL NOTES:**
- THE PROPOSED FREEZER/COOLER UNIT SIZE IS INDICATED ON FLOOR PLAN.
 - ALL WALK-IN & MERCHANDISING UNITS ARE SELF CONTAINED AND DO NOT REQUIRE A FLOOR DRAIN.
 - INSTALLATION OF THESE NSF, ETL & UL LISTED UNITS SHALL COMPLY WITH ALL STATE AND LOCAL CODES PER APPROVED PLANS.
 - MINIMUM DESIGN LOAD UNIFORMLY DISTRIBUTED: TOPS (PSF): 10 WALLS (PSF): 5 FLOORS (PSF): 1000

LEDIA Guangzhou LEDIA Lighting Technology Co., Ltd.
Tel: +86 (0)20 3770 8033 E-mail: sales@ledia.com.cn
Factory address: No.1 Xian Ke 5th Road, Huabang Town, Huadu District, Guangzhou, China

Specification

LED Vapor Tight Light

Item No.	LD-TL-8024
LD-TL-8030	
LD-TL-8050	
LD-TL-8050	
LD-TL-8050	

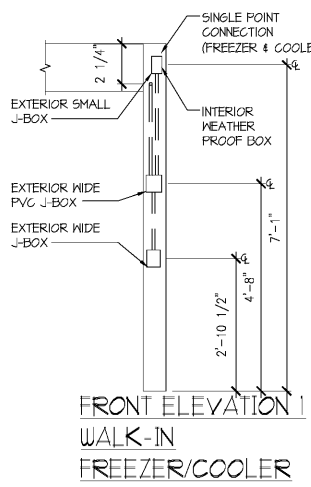
NOTES:

- This specification for our regular product specifications.
- The right of final interpretation of this specification to Guangzhou LEDIA Lighting Technology Co., Ltd.

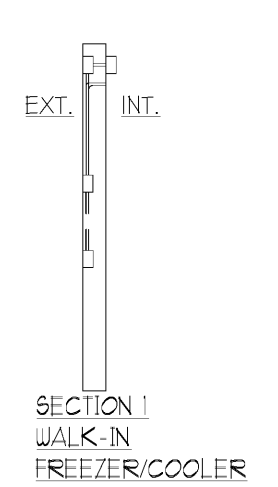
LEDIA Guangzhou LEDIA Lighting Technology Co., Ltd.
Tel: +86 (0)20 3770 8033 E-mail: sales@ledia.com.cn
Factory address: No.1 Xian Ke 5th Road, Huabang Town, Huadu District, Guangzhou, China

Specification

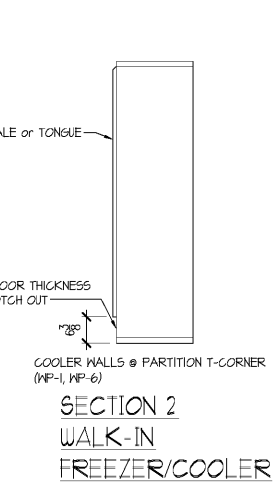
Item No.	LD-TL-8024	LD-TL-8030	LD-TL-8050	LD-TL-8050
General performance	2000lm	3000lm	4000lm	4000lm
Material	Aluminum	Aluminum	Aluminum	Aluminum
Power Factor	0.95	0.95	0.95	0.95
Beam Angle	120°	120°	120°	120°
Life Span	50000h	50000h	50000h	50000h
Temp. Range	-20°C to 60°C	-20°C to 60°C	-20°C to 60°C	-20°C to 60°C
Other				



FRONT ELEVATION 1
WALK-IN FREEZER/COOLER



SECTION 1
WALK-IN FREEZER/COOLER



SECTION 2
WALK-IN FREEZER/COOLER

SPECIFICATIONS

- CONSTRUCTION:**
- COOLER:**
- WALLS: 3 1/2" FOAM-FRAME (T & G), POLYURETHANE F-I-P
 - TOPS: 4" FOAM-FRAME (T & G), POLYURETHANE F-I-P
- FREEZER:**
- WALLS: 4" FOAM-FRAME (T & G), POLYURETHANE F-I-P
 - TOPS: 4" FOAM-FRAME (T & G), POLYURETHANE F-I-P
 - FLOORS: 4" FOAM-FRAME (T & G), WITH ONE(1) LAYER OF 3/4" PLYWOOD INTERIOR FLOORS

- FINISH:**
- 266A STUCCO GALV. STEEL INTERIOR
 - 265A STUCCO GALV. STEEL EXTERIOR
 - 2625 ALUMINUM DIAMOND PLATE INTERIOR FLOORS OVER 0.032 STUCCO ALUMINUM FINISH
 - 266A STUCCO GALV. STEEL EXTERIOR FLOORS

- ACCESSORIES:**
- 1 EA. - 36" X 78" HINGED INT. 4" THICK SELF-CLOSING FREEZER DOOR WITH HEATED FRAME (30 DES), ADJUSTABLE HEATED SNEEP AND MAGNETIC GASKET (265A STUCCO GALV. STEEL INT. & EXT., K-TI W494-K1261 AND K-TI044) *18 GA. GALV. JAMB (3 1/2") - NEW STYLE
 - 1 EA. - 36" X 78" HINGED INT. 4" THICK SELF-CLOSING COOLER DOOR WITH ADJUSTABLE SNEEP & MAGNETIC GASKET (266A STUCCO GALV. STEEL INT. & EXT., K-TI W494-K1261, AND K-TI044) *18 GA. GALV. JAMB (3 1/2") - NEW STYLE
 - 2 EA. - 14" X 14" PLASTIC CURTAINS
 - 2 EA. - RECESSED LIGHT FIXTURE SUPPLIED BY ORIGIN RETAIL (MODEL RLD-TL-B040-RX-40F) (SHIP LOOSE)
 - 1 EA. - WIDE J BOX
 - 1 EA. - SMALL 2X4 J BOX
 - 2 EA. - WIDE PVC J BOX (F50C/F5240)
 - 2 EA. - WEATHER-PROOF J BOX
 - 1 EA. - HEATED AIR VENT (M1830)
 - 1 EA. - OPENING FOR PRO 3 UNIT (PTN042H6AE)
 - 1 EA. - OPENING FOR PRO 3 UNIT (PTN052L6BE)
 - 1 EA. - INTERIOR RAMP (24 1/2" DEEP WITH 1 3/4" EXTENDED FRONT EDGE, 125 ALUMINUM DIAMOND PLATE, 040 SMOOTH ALUMINUM)
 - 2 EA. - PRE-WIRED WEISS ALARM W/4 1/2 METER PROBE

- NOTE:**
- LAG DOWN TOP PANELS (PRE-DRILLED LAG HOLES)
 - PVC SCREED - COOLER
 - PRE-DRILLED HOLES ON FLOOR FLATING
 - UL STICKER (FOAM FRAME)
 - 2-WALL CLOSE OFFS

FOR INFORMATION ONLY

REFRIGERATION SPECIFICATIONS
WALK-IN DETAILS AND SPECIFICATIONS

project drawing

FOR REFERENCE ONLY