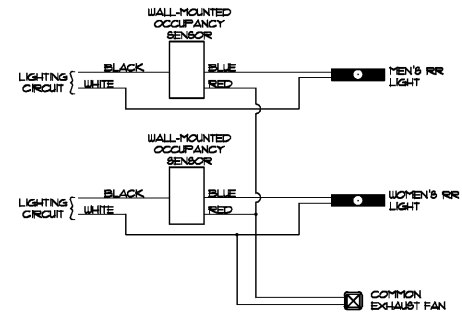


- ① DUAL VOLTAGE RATED: CONNECT EITHER 200V OR 277V, NOT BOTH. SELECT PROPER VOLTAGE LEADS ON INPUT AND OUTPUT OF BIV.
- ② PROVIDED BY TENANT FOR INSTALLATION BY CONTRACTOR.
- ③ THE NEUTRAL TO THE NORMAL LAMP AND THE NEUTRAL TO THE EMERGENCY LAMP MUST BE SEPARATE CONDUCTORS AND NOT CONNECTED TO EACH OTHER AT ANY POINT IN THE CIRCUIT, INCLUDING INSIDE THE FIXTURE.
- ④ EMERGENCY CIRCUIT WIRING MUST BE INDEPENDENT OF NORMAL CIRCUIT WIRING PER NEC 700.10.

② SCHEMATIC DIAGRAM: INVERTER WIRING (BIV)  
E-2 SCALE: NONE



① SCHEMATIC DIAGRAM: BATHROOM OCCUPANCY SENSOR  
E-2 SCALE: NONE

**LIGHTING PLAN NOTES:**

- ① ALL EXIT SIGNS, NIGHT LIGHTS, AND EXTERIOR EMERGENCY LIGHTS ARE ON PANEL 1P, CIRCUIT 2. WIRING NOT SHOWN FOR DRAWING CLARITY.
- ② SEE MECHANICAL DRAWINGS FOR EXACT LOCATION OF EXHAUST FAN.
- ③ THE ELECTRICIAN SHALL INSTALL ADDITIONAL WIRE TIE SUPPORTS FROM THE CEILING GRID TO THE STRUCTURE ABOVE FOR SUPPORT OF THE LIGHT FIXTURES CLIPPED ON THE GRID.
- ④ LIGHT FIXTURE SHALL BE ON "EMPLOYEE" LIGHTING CONTACTOR (LVL 0).
- ⑤ TOILET ROOMS SHALL HAVE OCCUPANCY SENSORS INSTALLED AND CONNECTED AS SHOWN IN DETAIL #1 - SCHEMATIC DIAGRAM, THIS SHEET. MOUNT ON WALL NEXT TO DOOR INSIDE RESTROOM. LIGHTS AND OCCUPANCY SENSORS TO BE WIRED INDEPENDENTLY OF THE ENERGY MANAGEMENT SYSTEM VIA CIRCUIT LP-8.
- ⑥ ELECTRICAL CONTRACTOR SHALL COORDINATE FINAL JUNCTION BOX LOCATION WITH SIGN VENDOR. JUNCTION BOX NEEDS TO BE WITHIN FIVE FEET OF SIGN AND INCLUDE 6" WHIP FOR SIGN VENDOR TO MAKE FINAL CONNECTION. CIRCUIT FOR SIGN IS LP-8.
- ⑦ THE DUPLEX OUTLET TO BE MOUNTED IN CEILING AND WIRED TO PANEL "RP", CIRCUIT 28. VERIFY LOCATION PRIOR TO INSTALLATION.
- ⑧ THE FIRST TWO ROWS OF LIGHT FIXTURES WILL BE PROVIDED WITH INDEPENDENT CONTROL FOR DAY-LIGHTING PER IECC. THESE CIRCUITS SHALL BE ROUTED THROUGH THE LCP FOR DAY-LIGHTING CONTROL.
- ⑨ NOTED FIXTURE SHALL HAVE ONE LAMP CIRCUITED TO INVERTER AND ONE LAMP CIRCUITED TO NORMAL POWER. CIRCUIT LP-9 SHALL BE USED FOR THESE FIXTURES AND SHALL BE ON LEVEL 1 CONTACTOR OF THE ENERGY MANAGEMENT SYSTEM. SEE INVERTER WIRING (BIV) DIAGRAM ON THIS SHEET.

ANY NEW LIGHTING WILL BE PROVIDED BY TENANT FOR TENANT'S CONTRACTOR INSTALLATION

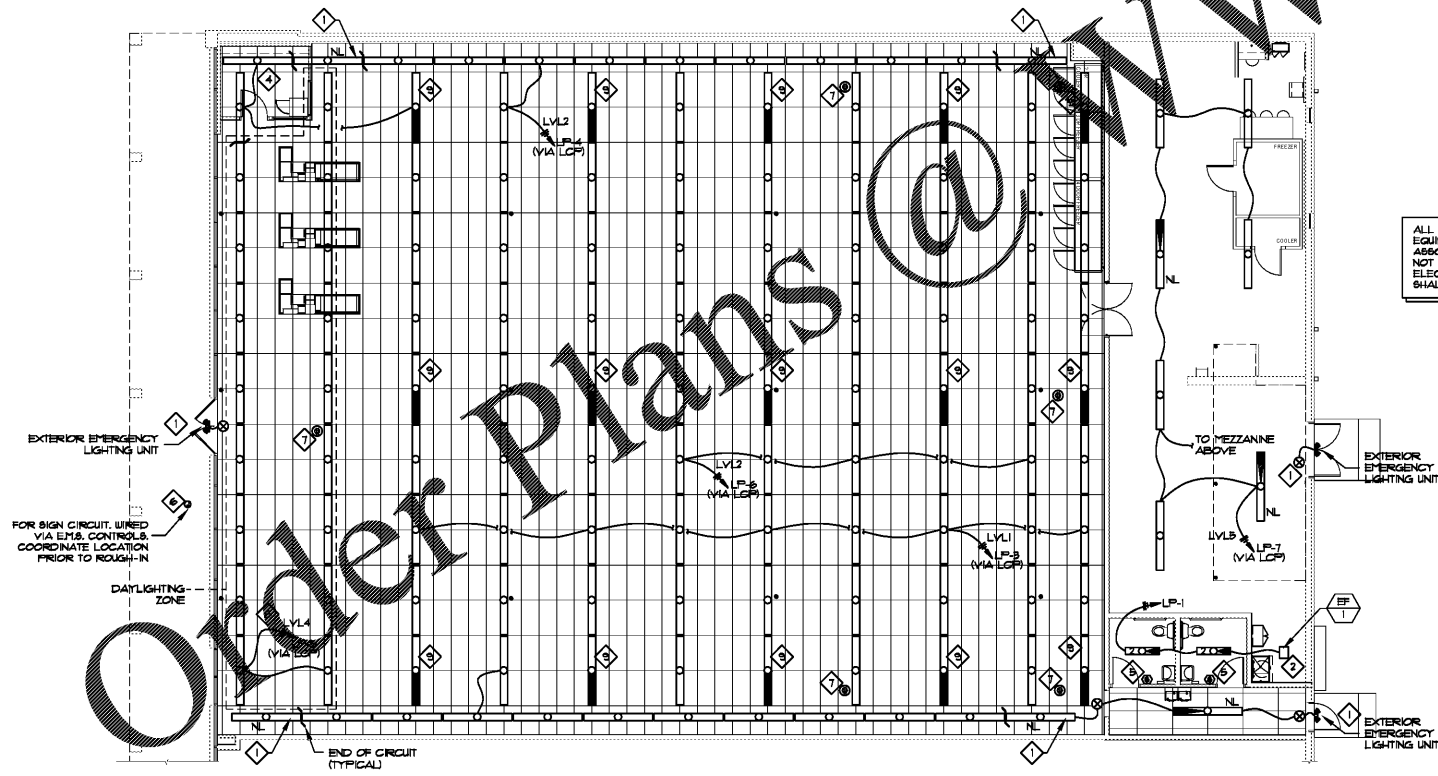
FIXT. SYM	LIGHT DESCRIPTION	VOLTS	WATTS	LAMP QTY, WATTS, TYPE	LAMPS	MOUNTING	SCHEDULE NOTES
⊕	EMERGENCY LIGHT (EXTERIOR)	SEE ELEC. PANEL	2	(2) 1 WATT LED		WALL OVER EXTERIOR DOOR	EMERGENCY LIGHT WITH REMOTE BATTERY
⊕	EMERGENCY LIGHT (INTERIOR)	SEE ELEC. PANEL	2	(2) 1 WATT LED		SURFACE	EMERGENCY LIGHT UNIT
⊕	EXIT LIGHT	SEE ELEC. PANEL	5	FURNISHED WITH FIXTURE		CEILING UNLESS OTHERWISE REQUIRED BY CODE	L.E.D. SINGLE-FACE EXIT SIGN WITH EMERGENCY BATTERY NOTES: A, C, D, F, G
—	8'-0" STRIP LIGHT	SEE ELEC. PANEL	36	(2) 18W LED	FURNISHED WITH FIXTURE	CEILING SURFACE	INTERIOR/EXTERIOR NOTES: A, C, D, E, G
—	8'-0" STRIP LIGHT (EMERGENCY LIGHT)	SEE ELEC. PANEL	36	(2) 18W LED	FURNISHED WITH FIXTURE	CEILING SURFACE	EMERGENCY LIGHT WITH INVERTER SYSTEM NOTES: A, C, D, E, G
—	8'-0" STRIP LIGHT (EMERGENCY LIGHT)	SEE ELEC. PANEL	36	(2) 18W LED	FURNISHED WITH FIXTURE	CEILING SURFACE	EMERGENCY LIGHT WITH INTEGRAL BATTERY PACK NOTES: A, C, D, F, G
—	4'-0" STRIP LIGHT	SEE ELEC. PANEL	18	(1) 18W LED	FURNISHED WITH FIXTURE	CEILING SURFACE	INTERIOR/EXTERIOR STRIP NOTES: A, C, D, F, G
—	4'-0" STRIP LIGHT (EMERGENCY LIGHT)	SEE ELEC. PANEL	36	(2) 18W LED	FURNISHED WITH FIXTURE	CEILING SURFACE	EMERGENCY LIGHT WITH INTEGRAL BATTERY PACK NOTES: A, C, D, F, G

**LIGHT FIXTURE SCHEDULE NOTES:**

- A. DESIGNATED FIXTURE SHALL HAVE LED LAMPS.
- B. CUT INSULATION (WHEN BATT TYPE IS USED) OR PROVIDE SHIELD ABOVE FIXTURE (WHEN BLOW-IN TYPE IS USED) TO KEEP INSULATION A MINIMUM OF 2" AWAY FROM FIXTURE.
- C. ATTACH FIXTURE TO BAR PER NEC 410.36.
- D. FIXTURE PROVIDED WITH DUAL VOLTAGE 120/277V POWER SUPPLY. VERIFY VOLTAGE FOR EACH FIXTURE LOCATION.
- E. EMERGENCY FIXTURES TO BE FROM INVERTER.
- F. LIGHT FIXTURES DENOTED "NL" SHALL BE MAIN ON DURING NON-BUSINESS WORKING HOURS. WITH NON-SUSPENDED CEILING LIGHT FIXTURES ABOVE THE SALES FLOOR SHALL BE SUSPENDED @ 12'-0" A.F.F. AND LIGHT FIXTURES ABOVE STOCK ROOM SHALL BE SUSPENDED @ 10'-0" A.F.F.
- G. IF EXISTING FIXTURES TO REMAIN, THE CONTRACTOR SHALL REPLACE ALL EXISTING LAMPS WITH NEW LAMPS PROVIDED BY THE CONTRACTOR.

**LIGHTING PLAN LEGEND**

- ⊕ 2'-0"x4'-0" ACOUSTICAL CEILING TILE AND GRID - SEE FINISH NOTE 4.
- GWS - PAINT WHITE UNLESS OTHERWISE NOTED.
- VENTILATION FAN
- ⊕ CEILING HEIGHT (ABOVE FINISH FLOOR)
- POWER POLE
- ⊕ OCCUPANCY SENSOR. SEE NOTE 5.
- ⊕ CEILING RECEPTACLE, 120V, 20A
- DESIGNATES END OF CIRCUIT



MEZZANINE LIGHTING PLAN  
SCALE: 1/8"=1'-0"  
NORTH

LIGHTING PLAN  
SCALE: 1/8"=1'-0"  
NORTH

397 Hixson Blvd  
Tullahoma, TN 37388  
Office: 615.454.6940

2805 Elm Hill Pike  
Nashville, TN 37214  
Office: 615.676.6022

oliver.little.gipson  
**OLIG**  
Engineering, Inc.

5010299  
03/20  
date project designed drawn checked  
DWB DMB ADG

**RRMM ARCHITECTS, PC**  
Robert S. Berz, Jr., Architect  
Duane M. Harver, Architect

1317 Executive Blvd, Suite 200  
Chesapeake, VA 23320  
(757)622-2828 / fax (757)622-6883

**DOLLAR TREE**  
ROCKDALE PLAZA - DEAL # 11733  
CONYERS, GA  
LIGHTING PLAN

sheet  
**E-2**