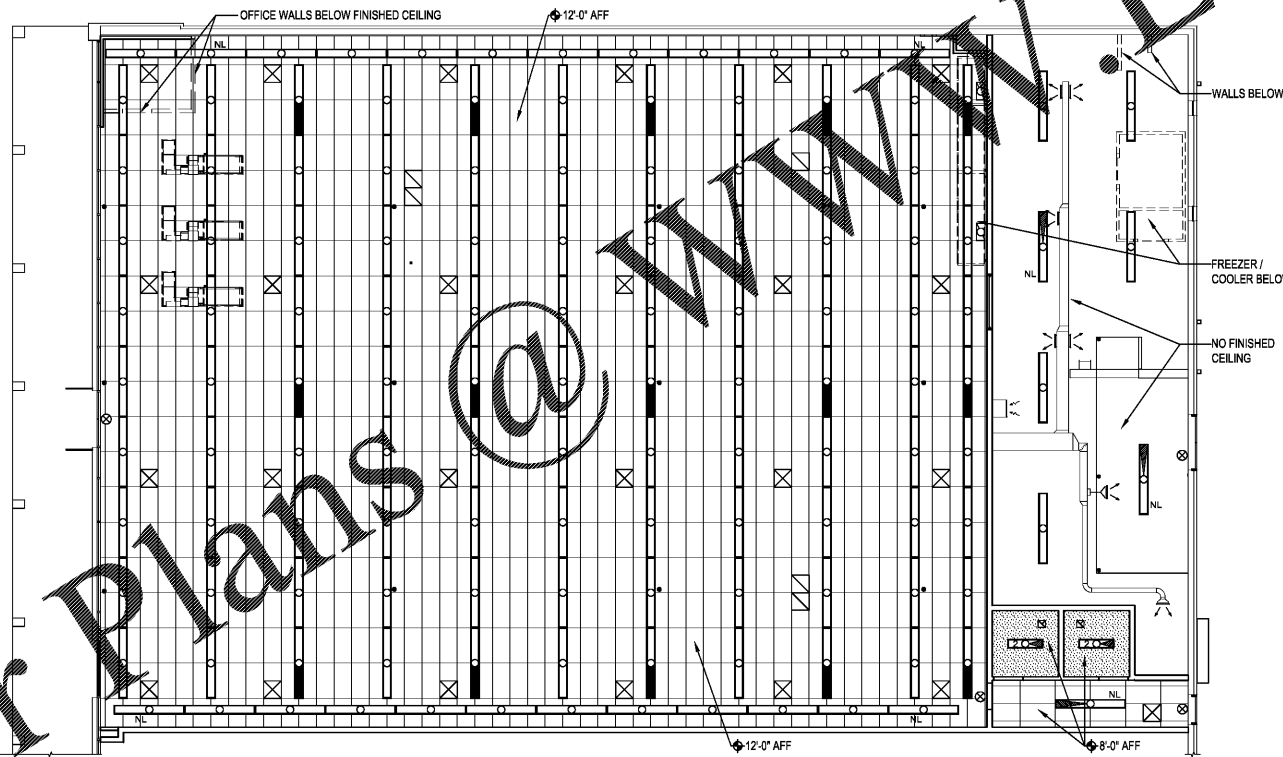
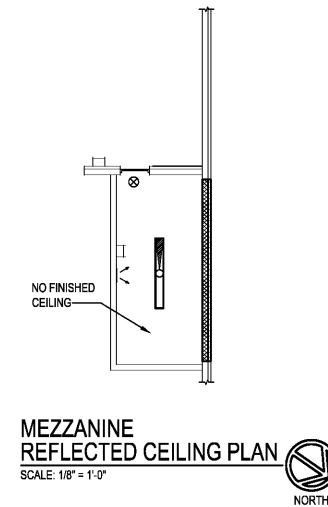


NOTE 1. THE ELECTRICIAN SHALL INSTALL ADDITIONAL #12 WIRE TIE SUPPORTS FROM THE CEILING GRID TO THE STRUCTURE ABOVE FOR SUPPORT OF THE LIGHT FIXTURES CLIPPED ON THE GRID.  
 NOTE 2. LIGHT FIXTURES ARE TENANT SUPPLIED / CONTRACTOR INSTALLED.  
 NOTE 3. MOUNT LIGHTS 10'-0" AFF IN STOCKROOM.

REFLECTED CEILING LEGEND			
	2'-0"x4'-0" ACOUSTICAL CEILING TILE AND GRID- SEE FINISH NOTE 4.		EXIT LIGHT
	GWB - PAINT WHITE UNLESS OTHERWISE NOTED.		VENTILATION FAN
	8'-0" STRIP LED LIGHT FIXTURE WITH LAMPS ON NIGHT LIGHT CIRCUIT. SURFACE MOUNT TO GWB AND ACT CEILING.		CEILING HEIGHT ABOVE FINISH FLOOR
	8'-0" STRIP LED LIGHT FIXTURE. SURFACE MOUNT TO GWB AND ACT CEILING.		DIFFUSER
	8'-0" STRIP LED LIGHT FIXTURE WITH LAMPS ON EMERGENCY LIGHT CIRCUIT WITH BATTERY PACK. SURFACE MOUNT TO GWB AND ACT CEILING. FOR FIXTURES WITH 4 LAMPS, THE EMERGENCY BATTERY PACK WILL ONLY OPERATE 2 OF THE LAMPS.		RETURN AIR GRILLE
	4'-0" STRIP LED LIGHT FIXTURE WITH LAMPS ON NIGHT LIGHT CIRCUIT. SURFACE MOUNT TO TO GWB AND ACT CEILING.		POWER POLE
	4'-0" STRIP LED LIGHT FIXTURE. SURFACE MOUNT TO ACT AND GWB CEILING.		
	4'-0" STRIP LED LIGHT FIXTURE WITH LAMPS ON EMERGENCY LIGHT CIRCUIT WITH BATTERY PACK. SURFACE MOUNT TO TO GWB AND ACT CEILING.		



REFLECTED CEILING PLAN  
 SCALE: 1/8" = 1'-0"  
 NORTH



MEZZANINE REFLECTED CEILING PLAN  
 SCALE: 1/8" = 1'-0"  
 NORTH

Order Plans @ WWW.LDILine.com

--	--





**RRMM ARCHITECTS, P.C.**  
 Robert S Berz, Jr, Architect  
 Duane M Harver, Architect  
 1317 Executive Blvd, Suite 200  
 Chesapeake, VA 23320  
 (757)622-2828 / fax (757)622-6883

--	--
