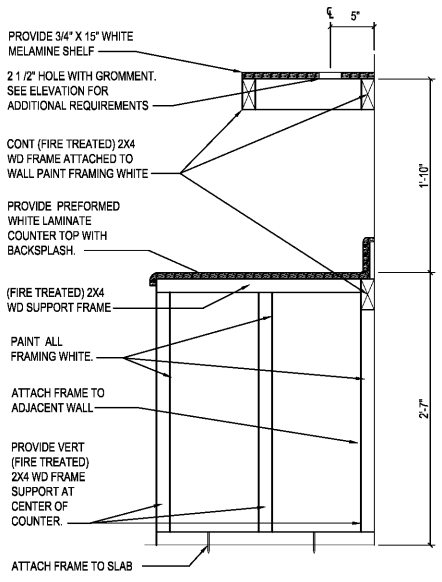
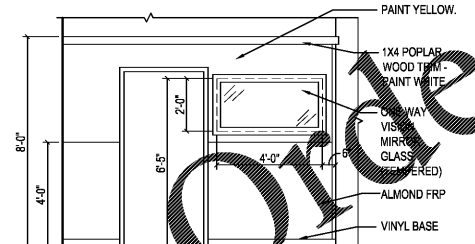


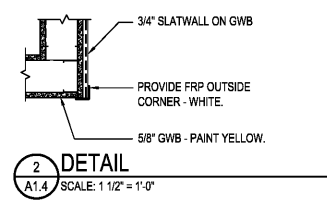
**A** CLIP BOARD RACK ELEVATION  
A1.4 SCALE: 3/4" = 1'-0"



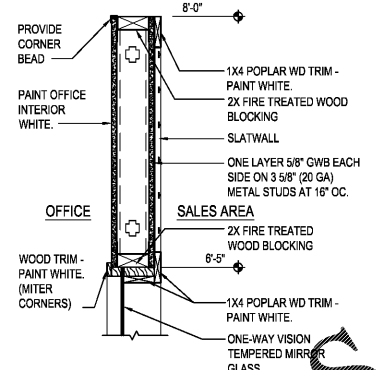
**1** SECTION  
A1.4 SCALE: 1 1/2" = 1'-0"



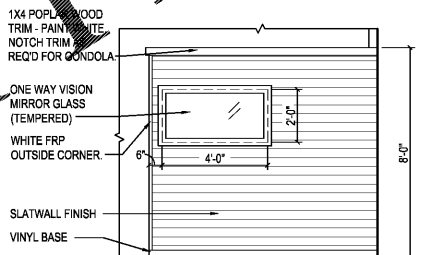
**B** OFFICE ELEVATION  
A1.4 SCALE: 3/8" = 1'-0"



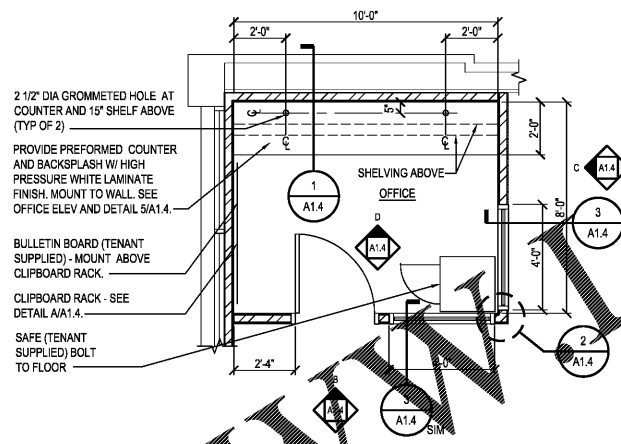
**2** DETAIL  
A1.4 SCALE: 1 1/2" = 1'-0"



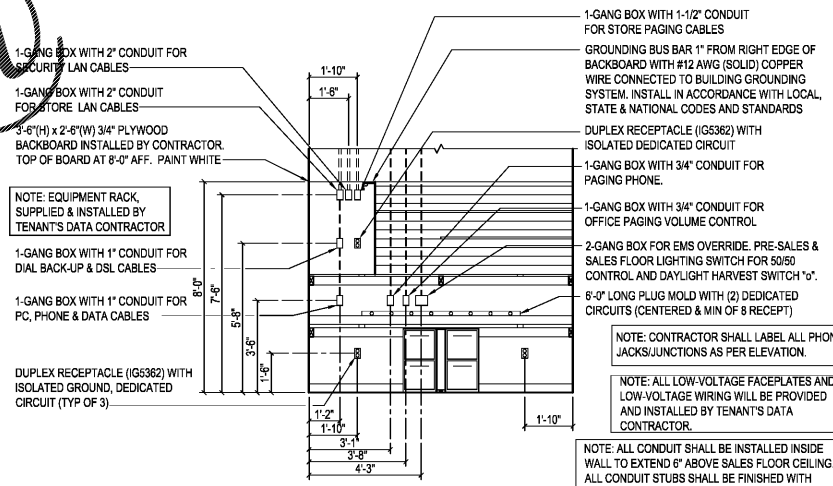
**3** HEAD / JAMB DETAIL  
A1.4 SCALE: 1 1/2" = 1'-0"



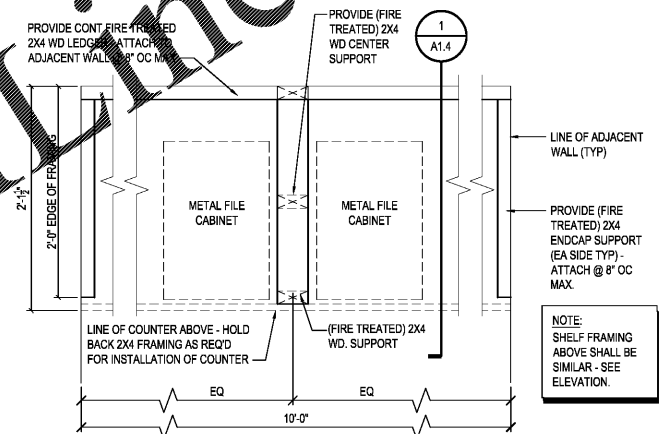
**C** OFFICE ELEVATION  
A1.4 SCALE: 3/8" = 1'-0"



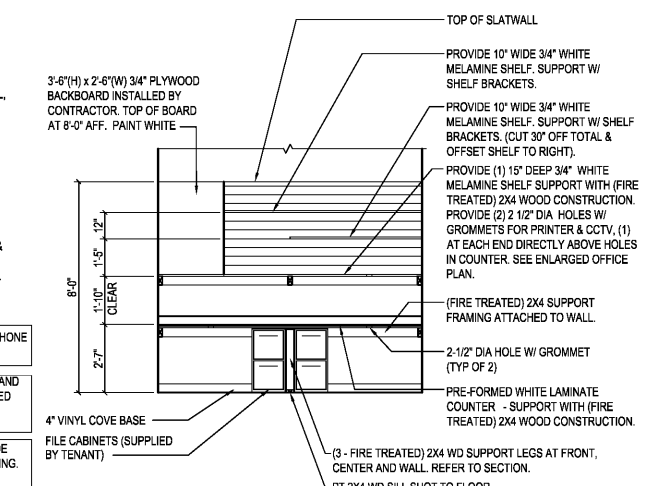
**4** ENLARGED OFFICE PLAN  
A1.4 SCALE: 3/8" = 1'-0"



**D** OFFICE ELEVATION  
A1.4 SCALE: 3/8" = 1'-0"



**5** DETAIL  
A1.4 SCALE: 1 1/2" = 1'-0"



**FINISHES, SHELVING AND CONSTRUCTION**

description	
by	
date	
mark	revisions
date	project
10/10/11	11/10/11
ccs	ccs
ccs	ccs
res/12/11	res/12/11
date	project
10/10/11	11/10/11
ccs	ccs
ccs	ccs
res/12/11	res/12/11
date	project
10/10/11	11/10/11
ccs	ccs
ccs	ccs
res/12/11	res/12/11

**RRMM ARCHITECTS, P.C.**  
Robert S Berz, Jr, Architect  
Duane M Harver, Architect

1317 Executive Blvd, Suite 200  
Chesapeake, VA 23320  
(757)622-2828 / fax (757)622-6883

**DOLLAR TREE**  
ROCKDALE PLAZA - DEAL # 11733  
CONYERS, GA  
ENLARGED PLAN, DETAILS, SECTIONS AND ELEVATIONS

project drawing

sheet

**A1.4**