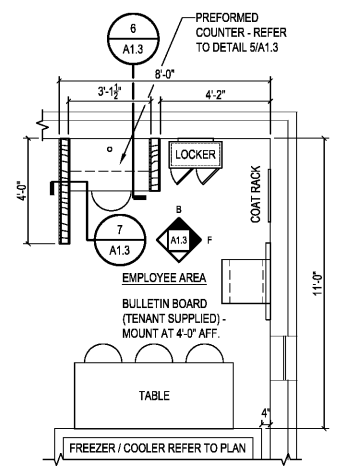
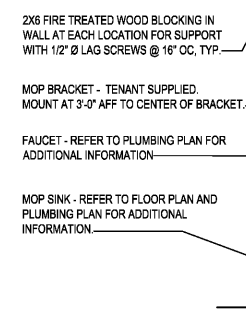
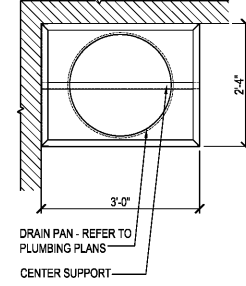


**1 ENLARGED TOILET PLAN**  
A1.3 SCALE: 3/8" = 1'-0"

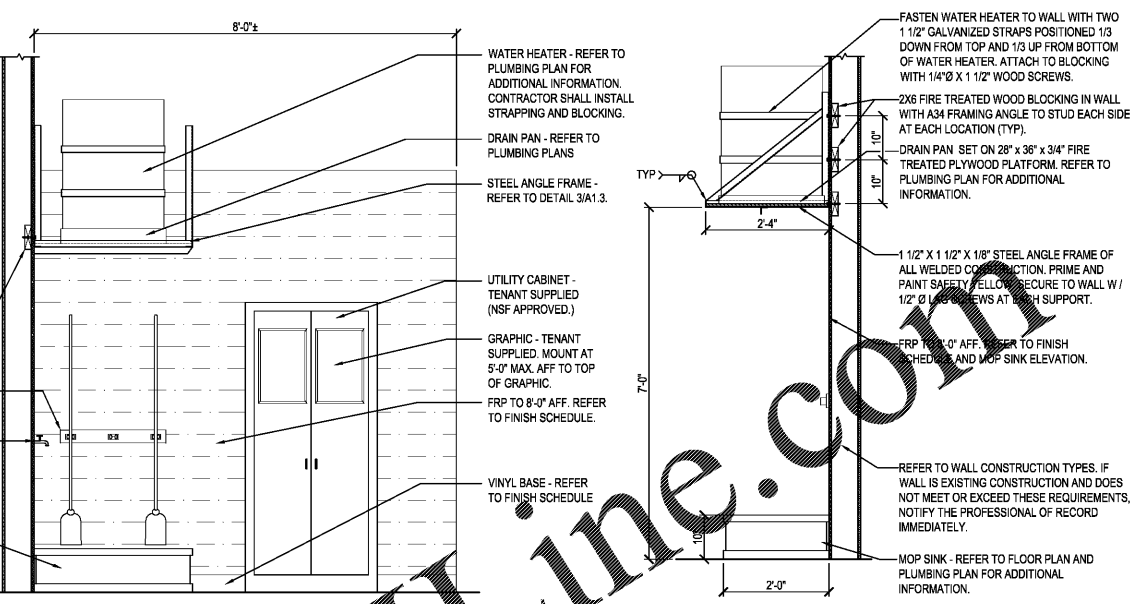


**2 ENLARGED EMPLOYEE AREA**  
A1.3 SCALE: 3/8" = 1'-0"

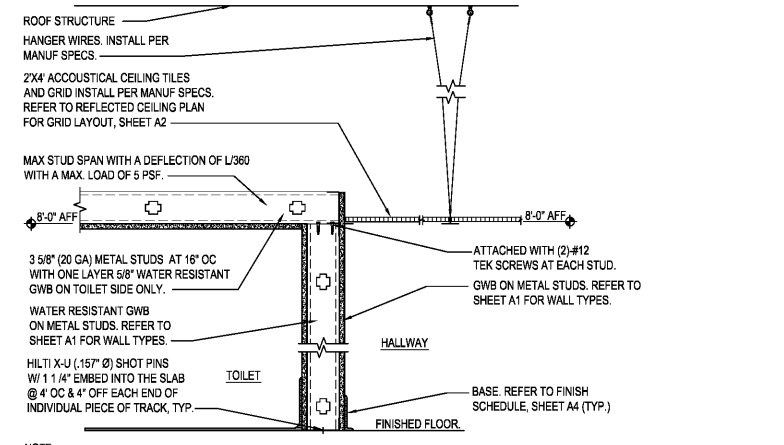
PLAN VIEW OF WATER HEATER BRACKET



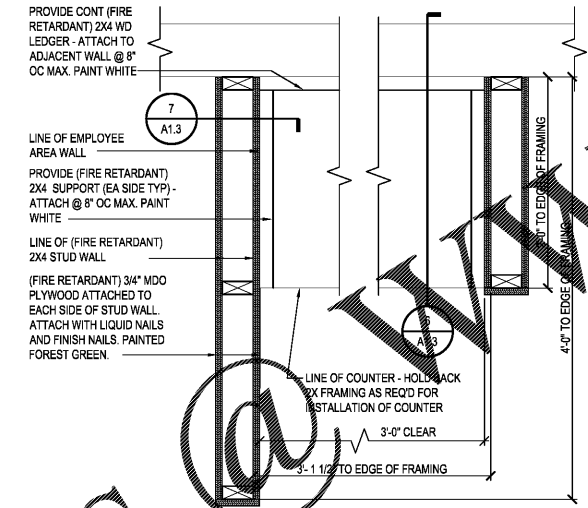
**A MOP SINK AND UTILITY CABINET ELEVATION**  
A1.3 SCALE: 3/4" = 1'-0"



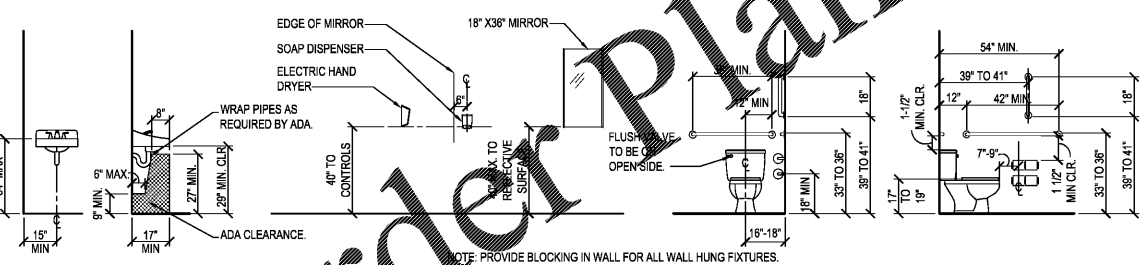
**3 WATER HEATER MOUNTING DETAIL**  
A1.3 SCALE: 3/4" = 1'-0"



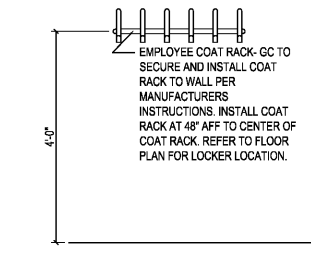
**4 CEILING DETAIL AT TOILET / HALLWAY**  
A1.3 SCALE: 1 1/2" = 1'-0"



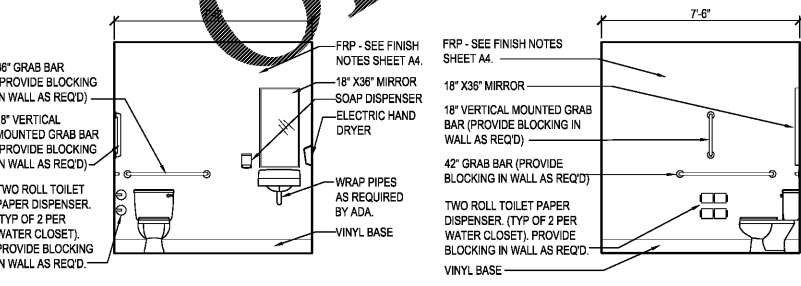
**B LOCKER AND TRAINING DESK ELEVATION**  
A1.3 SCALE: 3/4" = 1'-0"



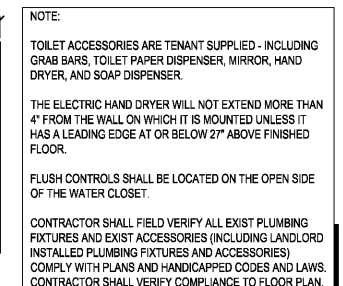
**C TYPICAL ACCESSIBILITY CLEARANCES**  
A1.3 SCALE: 3/8" = 1'-0"



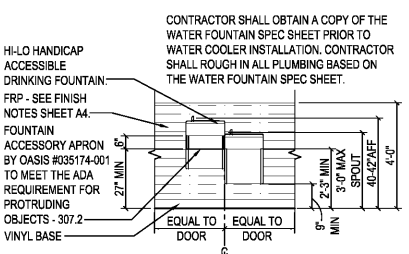
**F EMPLOYEE COAT RACK ELEVATION**  
A1.3 SCALE: 3/4" = 1'-0"



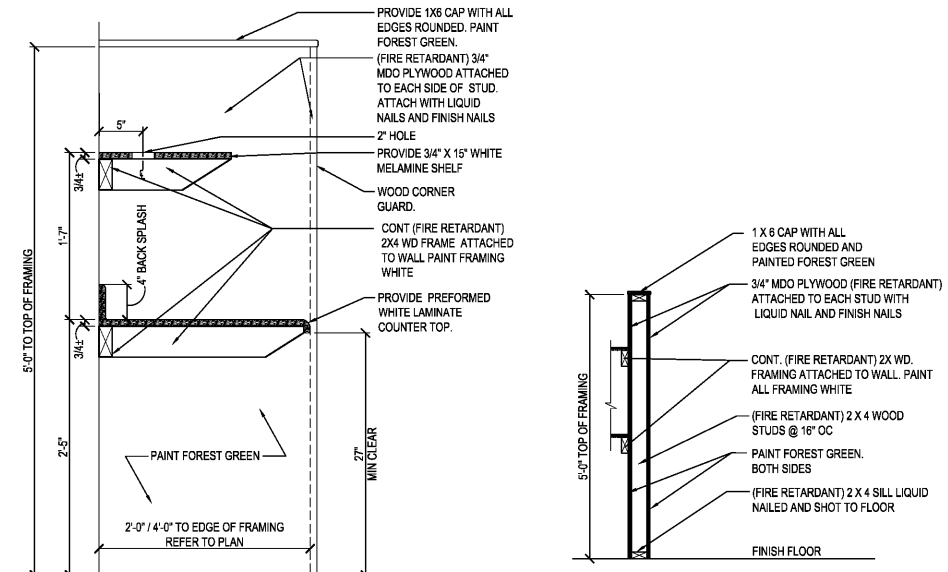
**D TOILET ELEVATION**  
A1.3 SCALE: 3/8" = 1'-0"



**E TOILET ELEVATION**  
A1.3 SCALE: 3/8" = 1'-0"



**G DRINKING FOUNTAIN ELEVATION**  
A1.3 SCALE: 3/8" = 1'-0"



**6 SECTION**  
A1.3 SCALE: 1 1/2" = 1'-0"

**7 EMPLOYEE AREA SECTION**  
A1.3 SCALE: 3/4" = 1'-0"

description	
by	
mark	date
revisions	
5/10/2011	ccs
11/16/11	ccs
date	project
designed	checked
drawn	checked
date	project
designed	checked
drawn	checked
<b>RRMM ARCHITECTS, PC</b> Robert S Berz, Jr, Architect Duane M Harver, Architect 1317 Executive Blvd, Suite 200 Chesapeake, VA 23320 (757) 622-2828 / fax (757) 622-6883	
<b>DOLLAR TREE</b> ROCKDALE PLAZA - DEAL # 11733 CONYERS, GA ENLARGED PLANS, DETAILS, SECTIONS AND ELEVATIONS	
project drawing	
sheet	
<b>A1.3</b>	