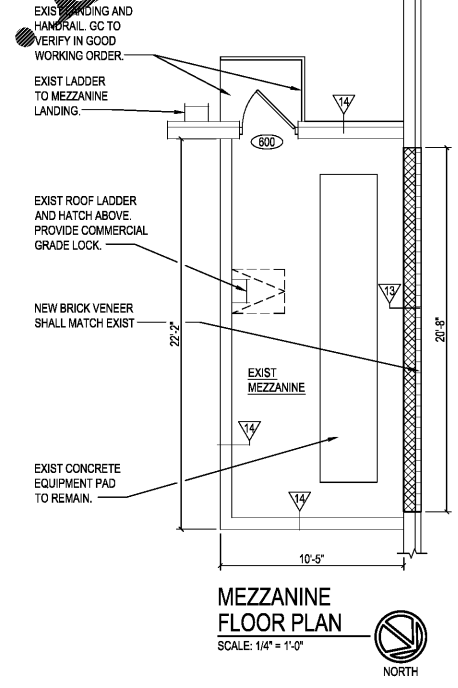


LDILine.com



description	
by	date
mark	revisions
5/10/2011	11/16/11
ccs	ccs
ccs	RSB/DNH
date	project
designed	drawn
checked	checked

RRMM ARCHITECTS, P.C.
Robert S Berz, Jr, Architect
Duane M Harver, Architect

1317 Executive Blvd, Suite 200
Chesapeake, VA 23320
(757) 622-2828 / fax (757) 622-6883

DOLLAR TREE
ROCKDALE PLAZA - DEAL # 11733
CONYERS, GA
PARTIAL FLOOR PLAN

project drawing

sheet

A1.1