

POWER PLAN NOTES:

- 1. CONTRACTOR SHALL REFER TO EMB SHEETS FOR INSTRUCTION AND RESPONSIBILITIES FOR INSTALLING OWNER/DEVELOPER SUPPLIED ENERGY MANAGEMENT SYSTEM PRIOR TO BIDDING AND INSTALLATION.
- 2. FOR EMPLOYEE DESK AREA, PROVIDE AND INSTALL 30" LONG PLUGMOLD WITH (1) 120V, 20A CIRCUIT AND A MINIMUM OF FIVE RECEPTACLES. CENTER THE PLUGMOLD, MOUNT AT 3'-2" AFF, AND CONNECT TO CIRCUIT RP-25. PROVIDE AND INSTALL (1) SINGLE-GANG DATA BOX MOUNTED IN HORIZONTAL CONFIGURATION WITH 3/4" STUB-UP. MOUNT DATA DEVICE AT 3'-8" AFF.
- 3. WATER HEATER - UNIT IS 120V, 2000W, WITH 1/2" C, (2) #10 & (1) #10 GROUND TO PANEL "RP", CIRCUIT 30. PROVIDE LOCKABLE CIRCUIT BREAKER. COORDINATE ACTUAL LOCATION WITH PLUMBING.
- 4. THE QUAD RECEPTACLE SHOWN IS ACTUALLY MADE UP OF TWO DUPLEX RECEPTACLES WITH THE TWO CIRCUITS SHOWN. MOUNT RECEPTACLE AT 18" AFF. LOCATE OUTLET NEXT TO LOCKERS. COORDINATE LOCATION WITH FIXTURE PLAN.
- 5. THE ELECTRIC HAND DRYERS IN EACH TOILET ARE PROVIDED BY OWNER/DEVELOPER AS PART OF THE RESTROOM-IN-A-BOX PACKAGE AND ARE TO BE CONNECTED BY THE ELECTRICAL CONTRACTOR VIA CIRCUITS RP-18 & RP-20.
- 6. INSTALL 3" CONDUIT FROM TELEPHONE UTILITY INTERFACE AT PROPERTY LINE TO TELEPHONE BACKBOARD (TBB). COORDINATE INTERFACE POINT WITH LOCAL TELEPHONE UTILITY.
- 7. INSTALL AND/OR CONNECT UP/GFCI RECEPTACLE AT HVAC UNIT AS REQUIRED. CONNECT TO CIRCUIT RP-16. UNIT MAY BE SUPPLIED WITH UNWIRED RECEPTACLE BUILT-IN.
- 8. POWER POLES ARE PROVIDED BY OWNER/DEVELOPER FOR INSTALLATION BY ELECTRICAL CONTRACTOR AND SHALL INCLUDE EITHER ARRANGEMENT 'A' OR 'B' AS NOTED ON THE PLANS.
 A. ONE ISOLATED DEDICATED CIRCUIT, ONE STANDARD RECEPTACLE CIRCUIT, & ONE TELEPHONE CIRCUIT
 B. ONE ISOLATED DEDICATED CIRCUIT & ONE STANDARD RECEPTACLE CIRCUIT
- 9. JUNCTION BOX ABOVE CEILING FEEDING POWER POLE (POLE SUPPLIED BY TENANT) FOR SNACK ZONE COOLERS & ICE CREAM FREEZER. COORDINATE LOCATION WITH FIXTURE PLAN BEFORE ROUGH-IN.

ELECTRICAL LEGEND

- EMA ENERGY MANAGEMENT SYSTEM
- ⊙ CEILING RECEPTACLE, 120V, 20A
- ⊙ DUPLEX RECEPTACLE, 120V, 20A
- ⊙ DUPLEX RECEPTACLE, 20A, 125 VOLT, WITH ISOLATED GROUND, HUBBLE #5-9262
- ⊙ DUPLEX RECEPTACLE, 120V, 20A, GROUND FAULT INTERRUPT CIRCUIT
- ⊙ DUPLEX RECEPTACLE, 120V, 20A, GROUND FAULT INTERRUPT CIRCUIT WITH LEATHERPROOF COVER
- ⊙ DUPLEX RECEPTACLE, 120V, 20A, ABOVE WINDOW, IN WALL OR IN CEILING, BUT WITHIN 18" OF TOP OF WINDOW
- ⊙ JUNCTION BOX
- ⊙ PUSHBUTTON, MOUNT 4" AFF UNLESS OTHERWISE NOTED.
- ⊙ SIGNAL TRANSFORMER, MOUNT 5'-4" AFF IN STOCKROOM
- ⊙ TELEPHONE OUTLET, PROVIDE AND INSTALL ALL NECESSARY CONDUIT, CABLE, DEVICES, AND PLUMBING RUN TO BACKBOARD CONNECTION BY OWNER/DEVELOPER. COORDINATE LOCATION WITH OWNER/DEVELOPER.
- ⊙ QUADREX RECEPTACLE
- ⊙ BELL, 4" DIAMETER SINGLE MAGNET VIBRATING TYPE 24 VAC, 30 VA EDWARDS #55-665. MOUNT ABOVE CEILING.
- ⊙ FIRE ALARM FULL STATION
- ⊙ FIRE ALARM SERVICE ANNUNCIATOR
- ⊙ WALL MOUNTED FIRE ALARM HOT WIRE ROPE (BOTTOM AT 80" AFF)
- ⊙ CEILING MOUNTED FIRE ALARM INTERRUPTER
- ⊙ WALL MOUNTED FIRE ALARM STROBE IN WALL OR IN CEILING, BUT WITHIN 18" OF TOP OF WINDOW (BOTTOM AT 80" AFF)
- ⊙ DUCT SMOKE DETECTOR
- ⊙ FIRE ALARM SMOKE DETECTOR
- ⊙ HOME RUN ARROWHEAD - NUMBER OF ARROWHEADS INDICATES NUMBER OF CIRCUITS.
- ⊙ TUBS-LOCK FLUSH RECEPTACLE, 20A, 125 VOLT, MOUNT 6" AFF.

POWER/WIRING INFORMATION FOR HVAC EQUIPMENT

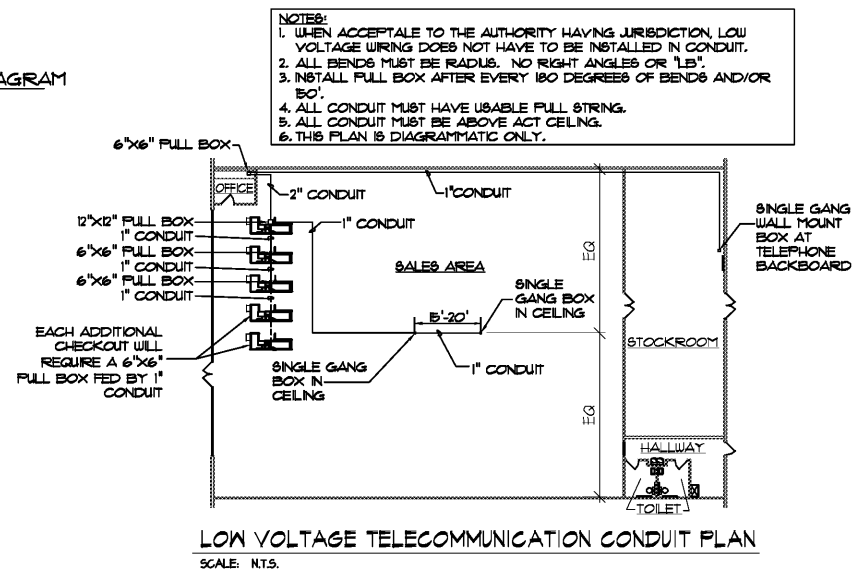
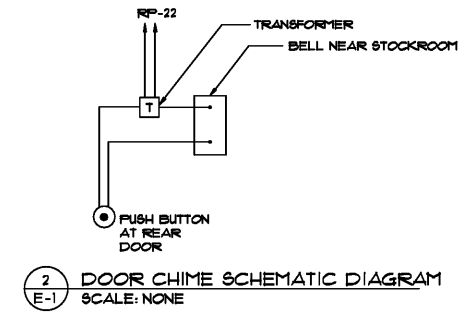
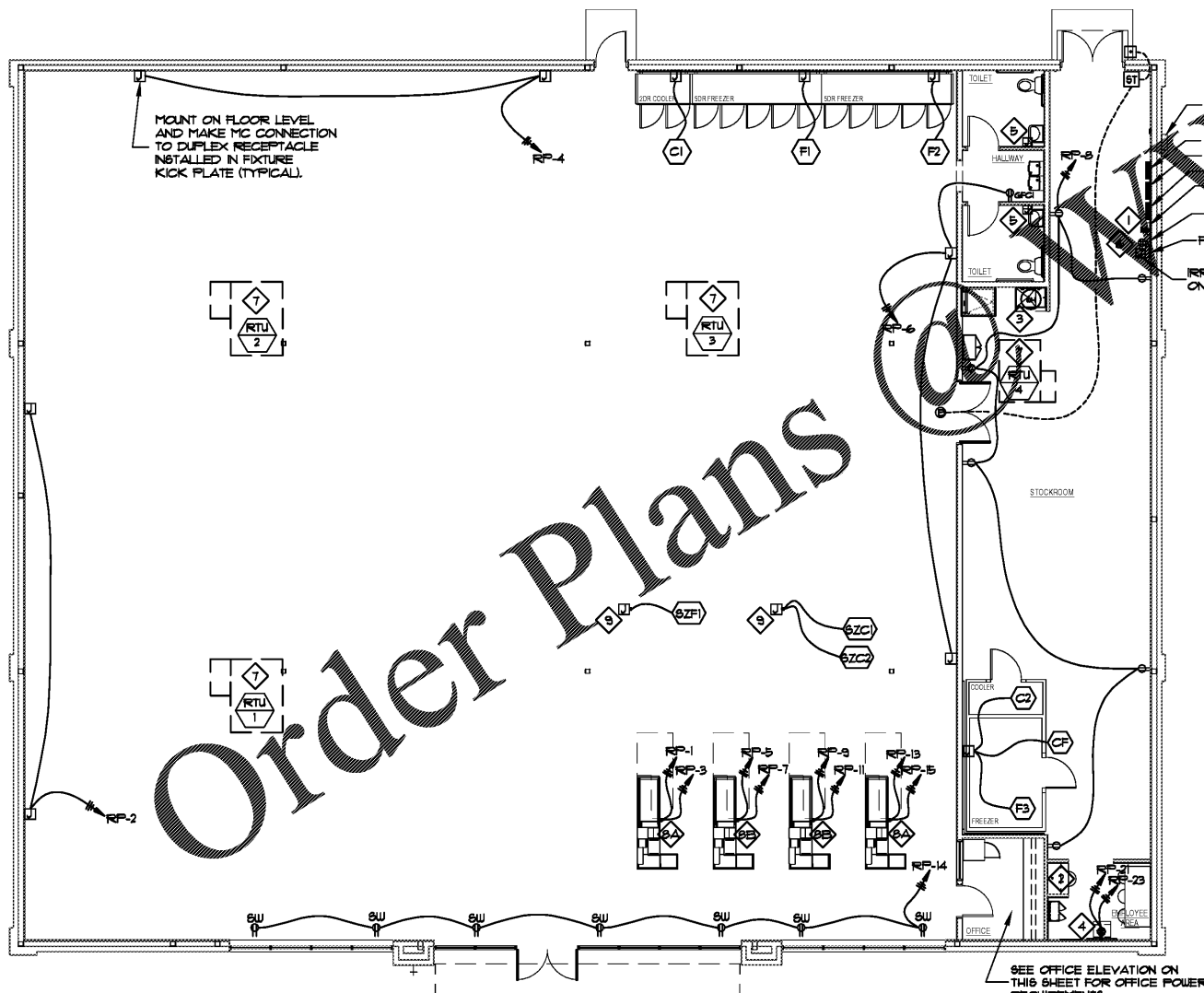
HVAC*	DISCONNECT SIZE	CONDUIT/WIRE SIZE	FEEDER PANEL	FEEDER BREAKER(S)
RTU-1	PROVIDED WITH UNIT	3/4" (3/8 & (1) #10 GND.)	LP	19,21,23
RTU-2	PROVIDED WITH UNIT	3/4" (3/8 & (1) #10 GND.)	LP	25,27,28
RTU-3	PROVIDED WITH UNIT	3/4" (3/8 & (1) #10 GND.)	LP	31,33,35
RTU-4	PROVIDED WITH UNIT	3/4" (3/8 & (1) #10 GND.)	LP	31,35,41

SPECIAL NOTE:
 CONTRACTOR SHALL REFER TO THE TEMPERATURE SENSOR MOUNTING DETAIL ON SHEET E1-3 FOR PLACEMENT AND INSTALLATION INSTRUCTIONS PRIOR TO INSTALLING.

POWER/WIRING INFORMATION FOR COOLER/FREEZER EQUIPMENT

DEVICE	DISCONNECT SIZE	CONDUIT/WIRE SIZE	FEEDER PANEL	FEEDER BREAKER(S)
(C1)	JUNCTION BOX # 100" AFF W/10' WHIP	1/2" (3/8 & (1) #12 GND.**	CF	1,3
(C2)	8"x8"x6" JB # 120" AFF W/20' COILED WIRE	1/2" (2) #12 & (1) #12 GND.	CF	5
(F1)	JUNCTION BOX # 100" AFF W/10' WHIP	3/4" (3/8 & (1) #10 GND.**	CF	1,9
(F2)	JUNCTION BOX # 100" AFF W/10' WHIP	3/4" (3/8 & (1) #10 GND.**	CF	11,13
(F3)	8"x8"x6" JB # 120" AFF W/20' COILED WIRE	1/2" (2) #12 & (1) #12 GND.	CF	15,17
(CF)	8"x8"x6" JB # 120" AFF W/20' COILED WIRE	1/2" (2) #12 & (1) #12 GND.	CF	19
(ZC)	JB ABOVE CEILING W/20' COILED WIRE	1/2" (2) #12 & (1) #12 GND.	CF	21
(ZC)	JB ABOVE CEILING W/20' COILED WIRE	1/2" (2) #12 & (1) #12 GND.	CF	23
(ZC)	JB ABOVE CEILING W/20' COILED WIRE	1/2" (2) #12 & (1) #12 GND.	CF	25

* FOR WALK-IN COOLER/FREEZER LIGHTS
 NOTE: ALL DIMENSIONS ARE TO THE TOP OF THE ASSOCIATED DEVICE. FINAL TERMINATIONS TO COOLER & FREEZER EQUIPMENT IS BY THE EQUIPMENT INSTALLER.
 ** INCLUDES: (2) HOT, (1) NEUTRAL, & (1) GROUND



POWER PLAN
 SCALE: 1/8" = 1'-0"

REV.	DATE	BY	DESCRIPTION

PROJECT NUMBER: 603319
 DRAWN BY: DWB
 CHECKED BY: ADG
 ISSUE DATE: 6-6-19
 ISSUED FOR BIDS & PERMIT

SHEET TITLE:
 POWER PLAN
 SHEET NUMBER:
E-1.1