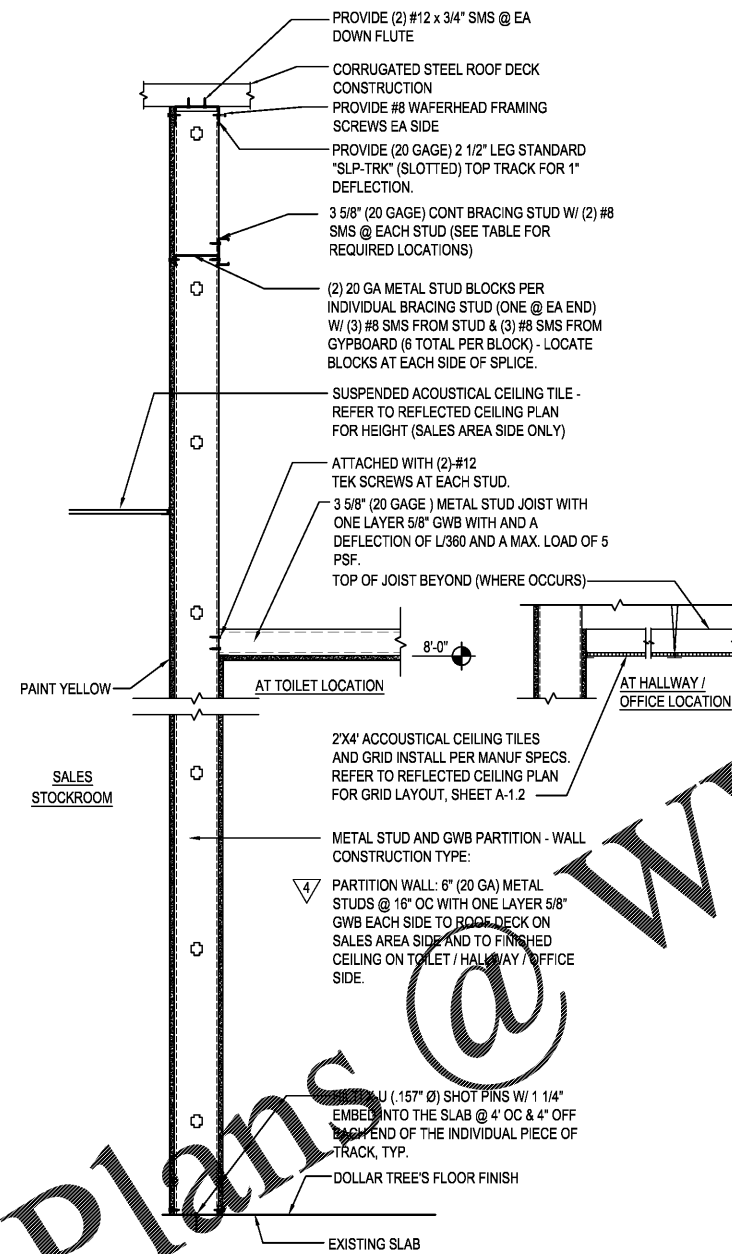


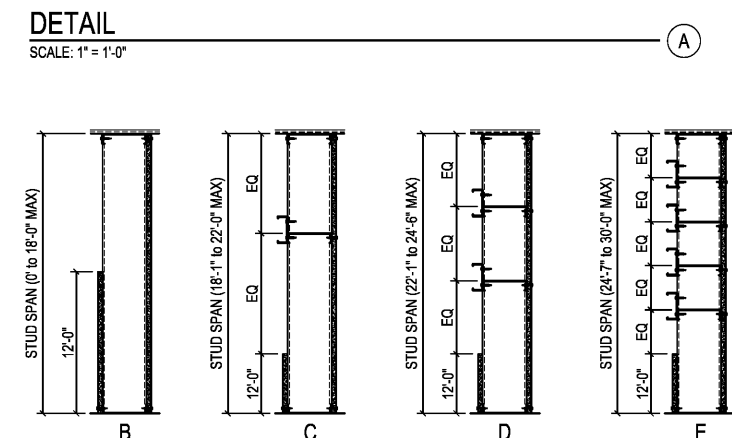
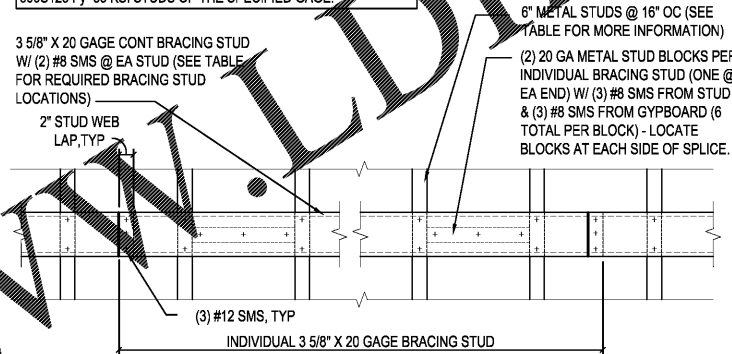
1 WALL SECTION - CONSTRUCTION TYPE: 2.3  
A-4.2 SCALE: 1" = 1'-0"



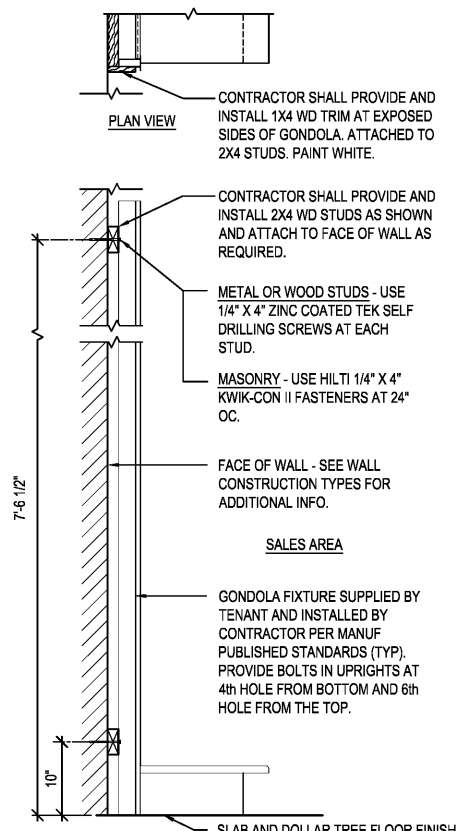
2 WALL SECTION - CONSTRUCTION TYPE: 4  
A-4.2 SCALE: 1" = 1'-0"

STUD SPAN	STUD GAGE	BRACE SPACING	BRACING LOCATION SECTION
18'	20 (600S125-33)	NO BRACING REQUIRED	B
22'	20 (600S125-33)	5' OC (MAX)	C
24'-6"	20 (600S125-33)	4'-2" OC (MAX)	D
30'-0"	18 (600S125-43)	3'-7" OC (MAX)	E

STUDS MUST MEET MINIMUM SSMA SPECIFICATIONS FOR 600S125 Fy=33 KSI STUDS OF THE SPECIFIED GAGE.



BRACING LOCATION SECTION  
SCALE: NOT TO SCALE



TYPICAL FIXTURE ATTACHMENT DETAIL  
SCALE: 1" = 1'-0"

Order Plans @ WWW.DILine.com

TENNESSEE 08/02/19 09:51 AM N:\2019\19109-00\_DOLLARTREE\04\Architect\Shawna\04\_A-4.2.dwg

REV.	DATE	BY	DESCRIPTION

PROJECT NUMBER: 19109-04  
DRAWN BY: RWH/TEH  
CHECKED BY: LGS  
ISSUE DATE: 08/08/2019  
ISSUED FOR BIDS AND PERMITS

