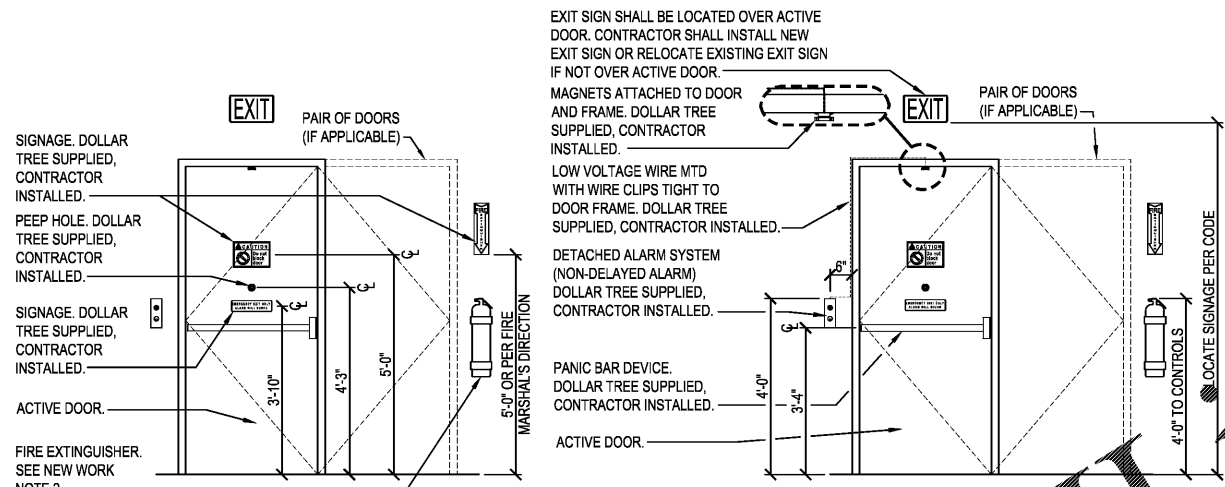
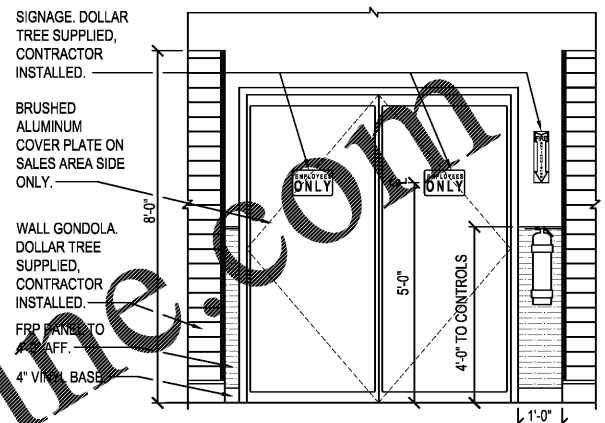


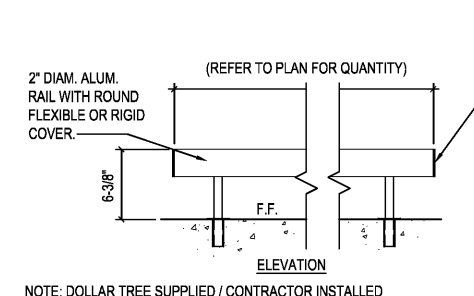
A ACCESSIBILITY DECAL @ STOREFRONT ENTRANCE
A-2.6 SCALE: 1/2" = 1'-0"



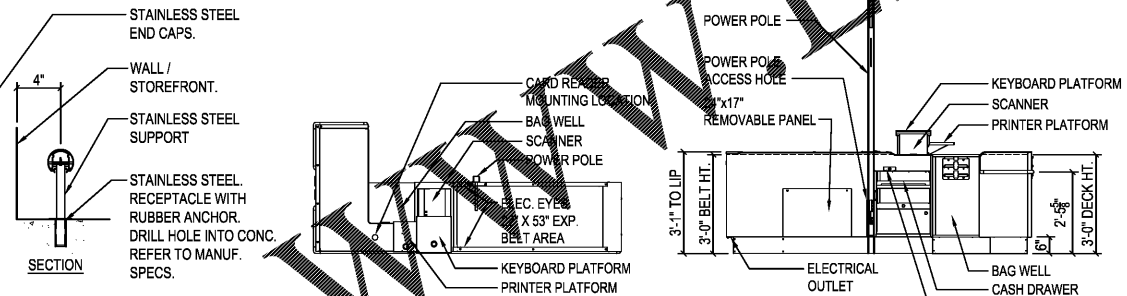
B FREIGHT DOOR ELEVATION (EGRESS DOOR SIMILAR)
A-2.6 SCALE: 1/2" = 1'-0"



C SALES / STOCKROOM DOOR ELEVATION
A-2.6 SCALE: 1/2" = 1'-0"

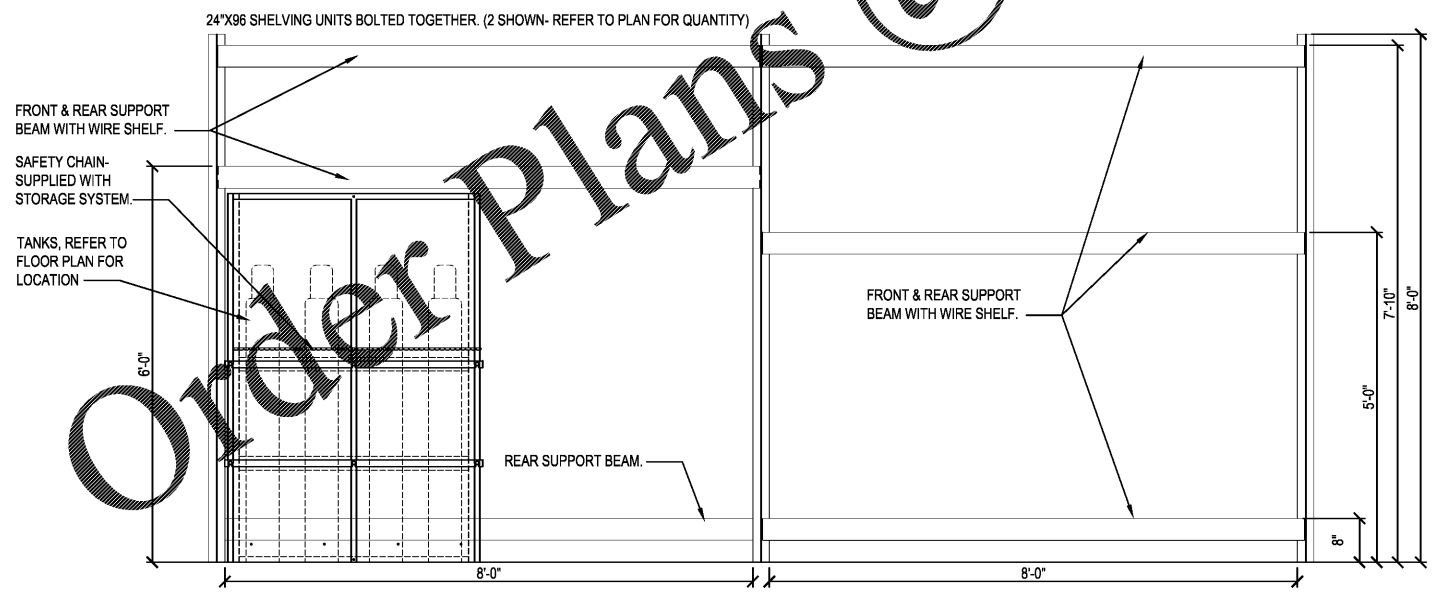


1 SHOPPING CART BUMPER DETAIL
A-2.6 SCALE: 1 1/2" = 1'-0"

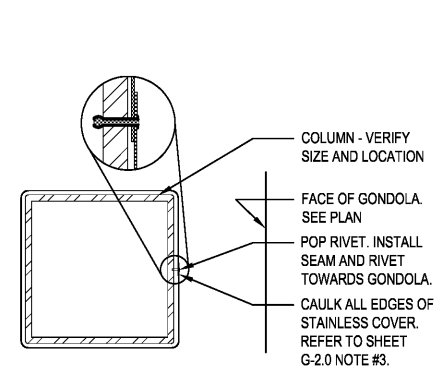


TYPICAL CHECKOUT
SCALE: NTS

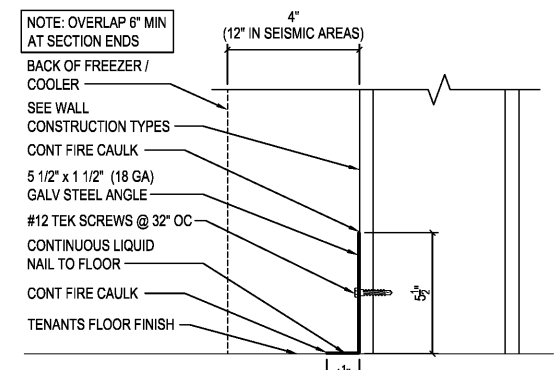
- NOTE:
- CHECKOUTS ARE DOLLAR TREE SUPPLIED.
 - CHECKOUT AISLES SHALL COMPLY WITH 2017 FLORIDA BUILDING CODE ACCESSIBILITY EDITION 227 AND 904
 - PROVIDE SIGN DISPLAYING THE INTERNATIONAL SYMBOL OF ACCESSIBILITY IN BLUE AND WHITE ABOVE THE CHECKOUT AISLE IN THE SAME LOCATION AS THE CHECKOUT NUMBER OR TYPE OF CHECKOUT IDENTIFICATION.



2 24" X 96" SHELVING ELEVATION
A-2.6 SCALE: 3/4" = 1'-0"



3 COLUMN DETAIL
A-2.6 SCALE: 1 1/2" = 1'-0"



4 DETAIL
A-2.6 SCALE: 3" = 1'-0"

- NOTE:
- REFER TO PLAN FOR QUANTITY AND SIZE.
 - DOLLAR TREE SUPPLIED, CONTRACTOR INSTALLED.
 - SECURE TO FLOOR PER MANUFACTURES SPECIFICATIONS.

Order Plans @

T:\ENR\662019 65637 AM 11\20191019-00_DOLLARTREE\66444\Architect\Sheet\0604A_2.dwg

REV.	DATE	BY	DESCRIPTION

PROJECT NUMBER: 19109-44
DRAWN BY: RWH/TEH
CHECKED BY: LGS
ISSUE DATE: 06/09/2019
ISSUED FOR BIDS AND PERMITS

