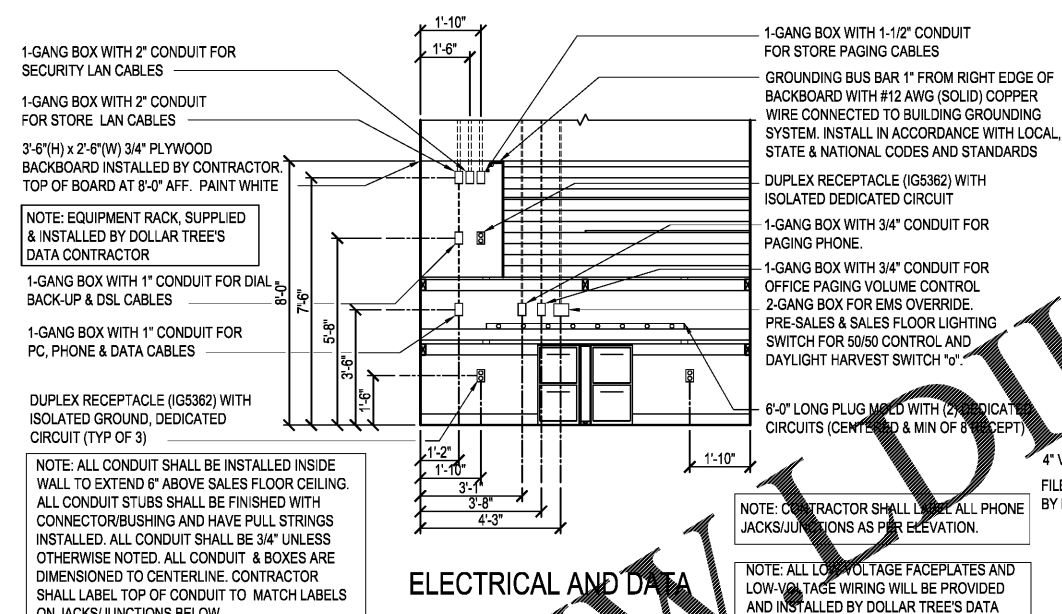
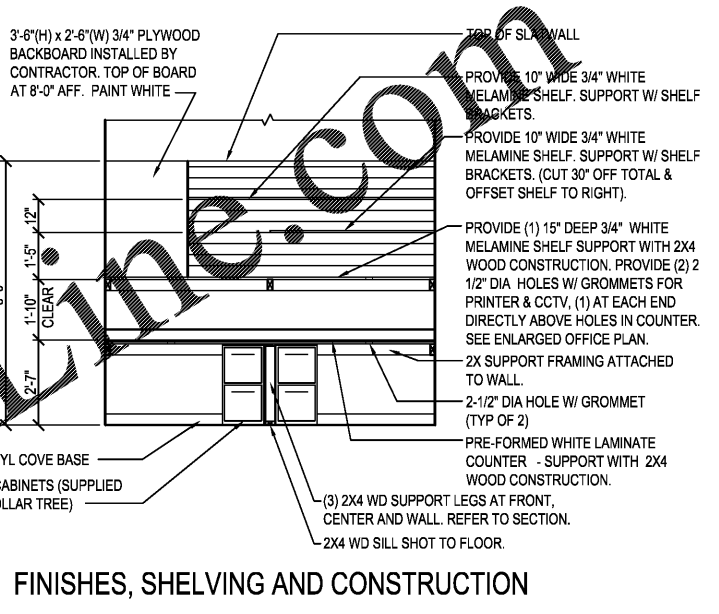


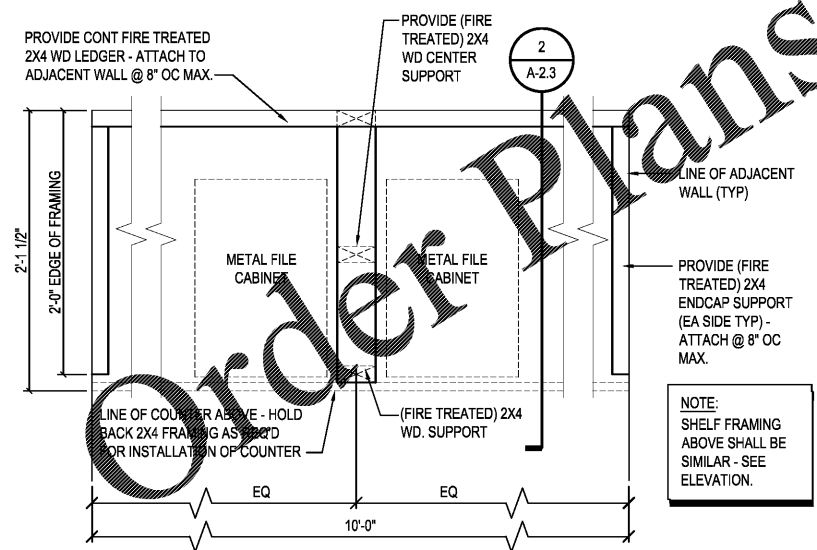
A OFFICE ELEVATION
A-2.3 SCALE: 3/8" = 1'-0"



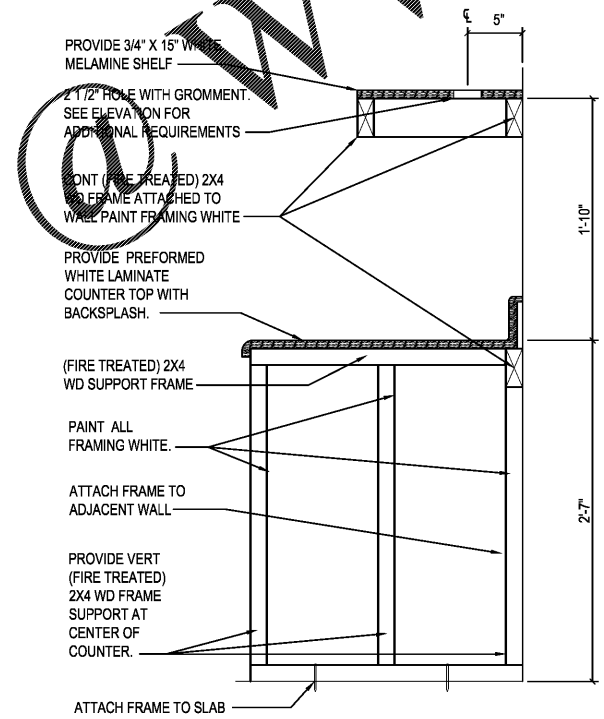
B OFFICE ELEVATION
A-2.3 SCALE: 3/8" = 1'-0"



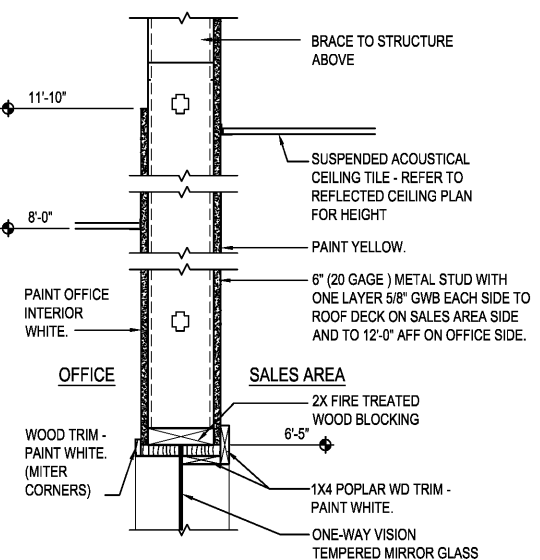
FINISHES, SHELVING AND CONSTRUCTION
A-2.3 SCALE: 3/8" = 1'-0"



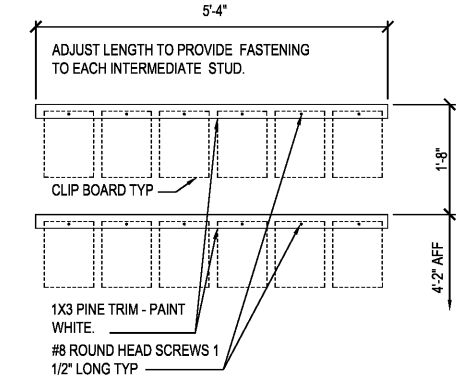
1 PLAN DETAIL
A-2.3 SCALE: 1 1/2" = 1'-0"



2 SECTION
A-2.3 SCALE: 1 1/2" = 1'-0"



3 HEAD / JAMB DETAIL
A-2.3 SCALE: 1 1/2" = 1'-0"



C CLIPBOARD RACK ELEVATION
A-2.3 SCALE: 3/4" = 1'-0"

THE NIBSET 06/2019 05:13 AM 11/20/19 09:00 DOLLARTREE0644Architectural SheetA0644A_3.dwg

Order Plans

WWW.DOLLARTREE.COM

REV.	DATE	BY	DESCRIPTION

PROJECT NUMBER: 19109-44
DRAWN BY: RWH/TEH
CHECKED BY: LGS
ISSUE DATE: 06/06/2019
ISSUED FOR BIDS AND PERMITS

STATE OF FLORIDA
LINDA G. SHARP
REGISTERED ARCHITECT
AR99215
06/06/2019