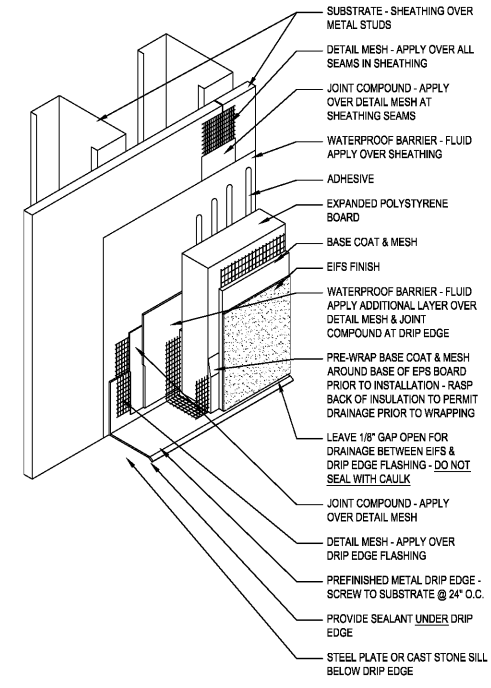


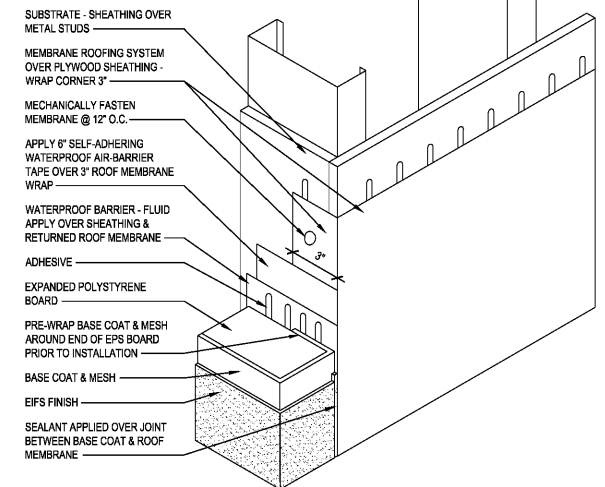
REV.	DATE	BY	DESCRIPTION

PROJECT NUMBER:	1805-49
DRAWN BY:	LGS
CHECKED BY:	
ISSUE DATE:	6-6-19
DESCRIPTION:	
STATE OF FLORIDA INDIA G. SWANSON REGISTERED ARCHITECT AR#9215	
	6-6-19

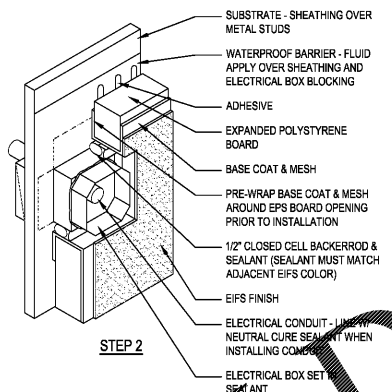
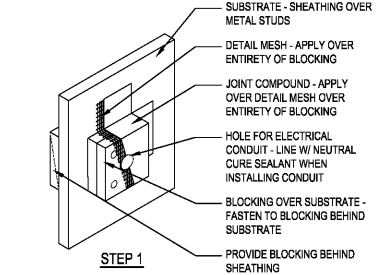
SHEET TITLE:	EIFS DETAILS
SHEET NUMBER:	A-2.1



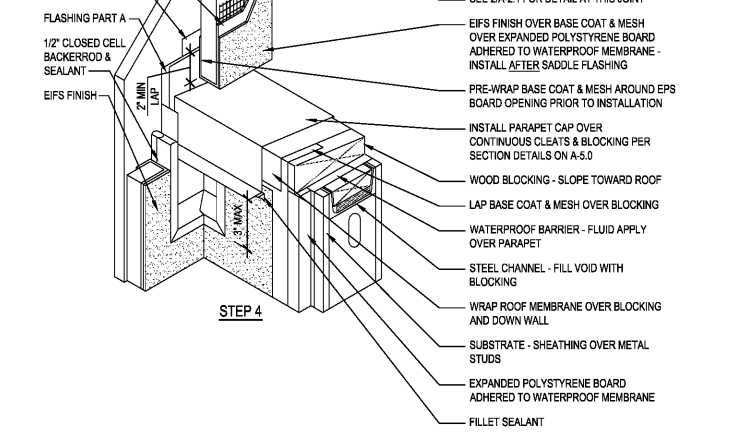
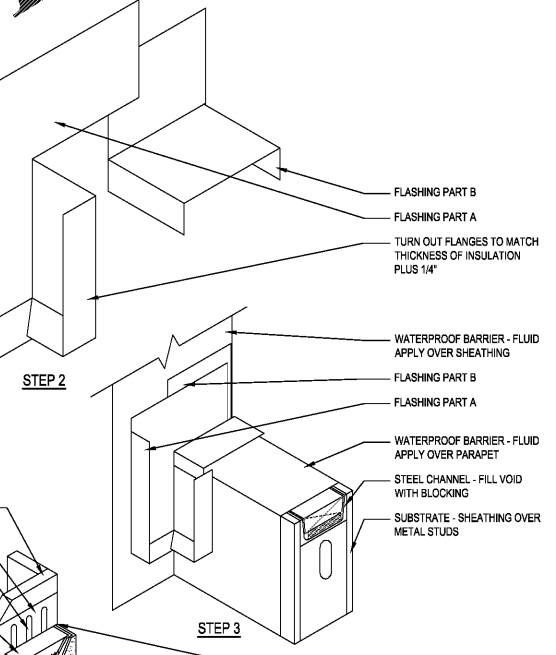
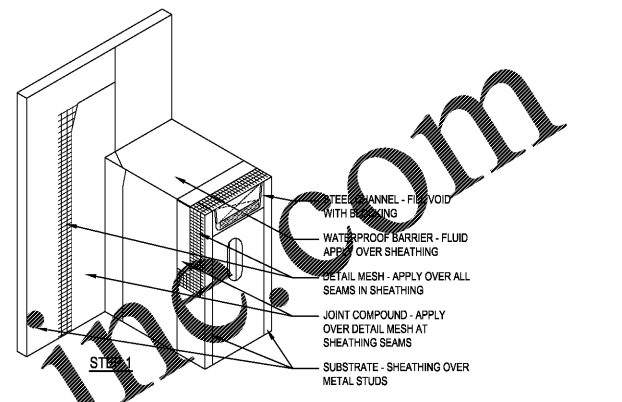
1 EIFS DRIP EDGE / ATTACHMENT DETAIL
A-2.1 SCALE: NONE



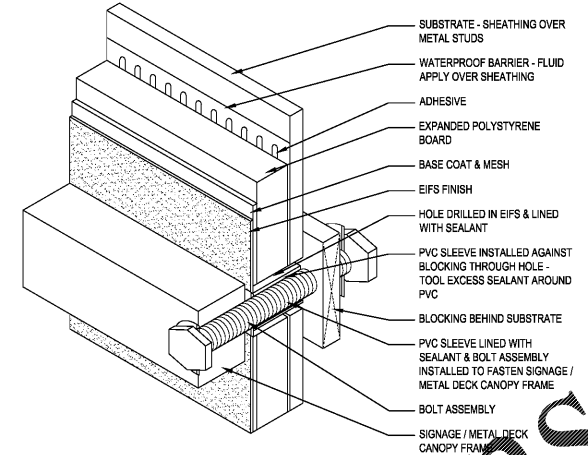
2 EIFS TERMINATION DETAIL
A-2.1 SCALE: NONE



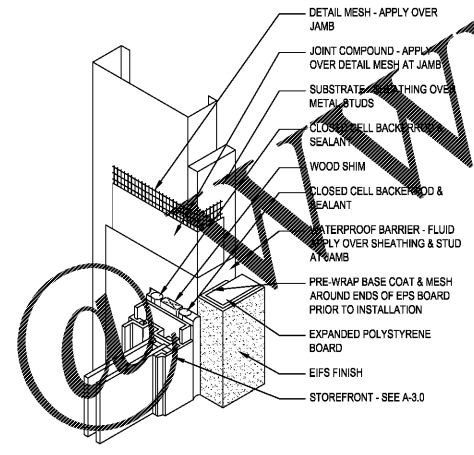
3 EIFS ELECTRICAL BOX DETAIL
A-2.1 SCALE: NONE



8 EIFS SADDLE FLASHING & PARAPET CAP DETAIL
A-2.1 SCALE: NONE



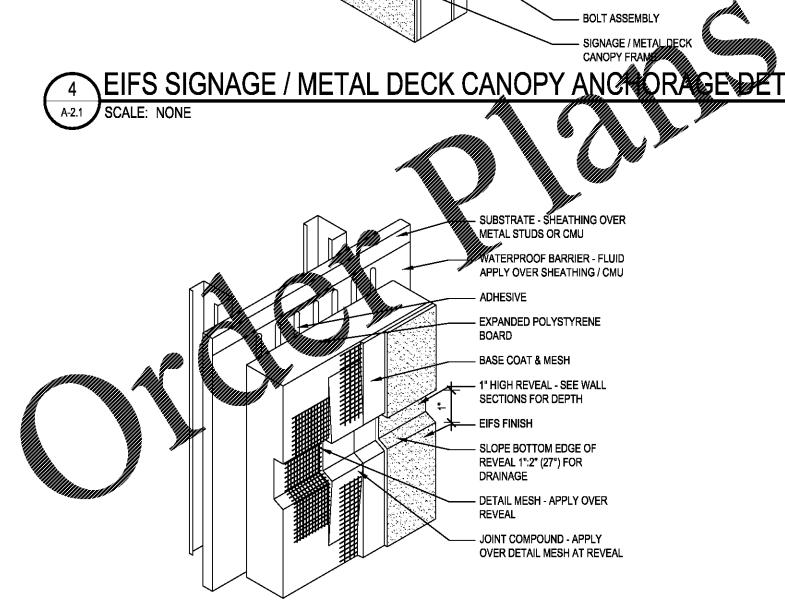
4 EIFS SIGNAGE / METAL DECK CANOPY ANCHORAGE DETAIL
A-2.1 SCALE: NONE



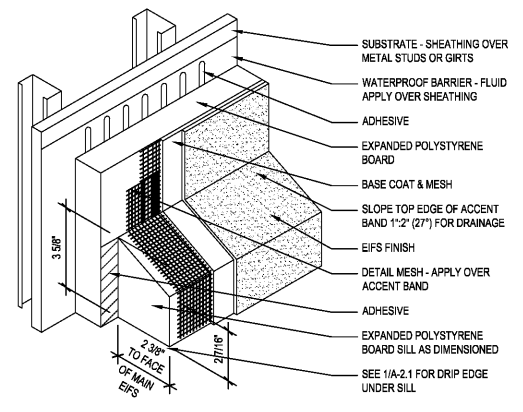
5 EIFS JAMB DETAIL
A-2.1 SCALE: NONE

GENERAL NOTES:
1. GENERAL CONTRACTOR SHALL BE RESPONSIBLE FOR COORDINATION & SEQUENCING OF ANY SUB-CONTRACTORS INVOLVED IN ANY WORK THAT INVOLVES INSTALLATION OVER OR PENETRATION THROUGH THE EIFS SYSTEM. ALL PENETRATIONS THROUGH THE EIFS SYSTEM MUST BE COORDINATED WITH THE EIFS APPLICATOR TO ENSURE A WATERTIGHT TRANSITION OF ALL BUILDING ELEMENTS AT THE EIFS SYSTEM.
2. THE EIFS APPLICATOR SHALL FOLLOW ALL DETAILS PROVIDED IN ADDITION TO ALL MANUFACTURER STANDARD DETAILS.

LARGE MISSILE IMPACT NOTES:
1. WHERE NOA #16-0419.07 IS SPECIFIED, HIGH IMPACT REINFORCING MESH SHALL BE EMBEDDED IN A SCRATCH COAT UNDERNEATH THE WATERPROOF BARRIER OVER THE SHEATHING.



6 EIFS REVEAL DETAIL
A-2.1 SCALE: NONE



7 EIFS SILL DETAIL
A-2.1 SCALE: NONE