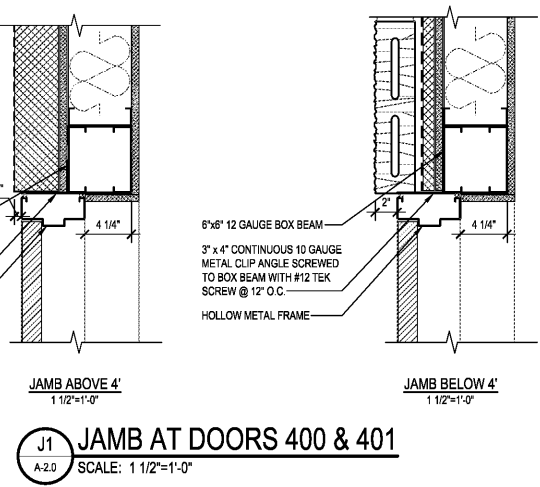
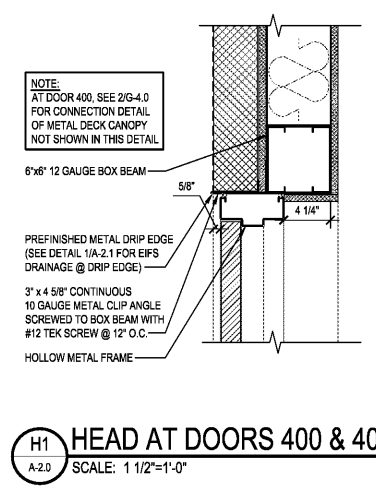
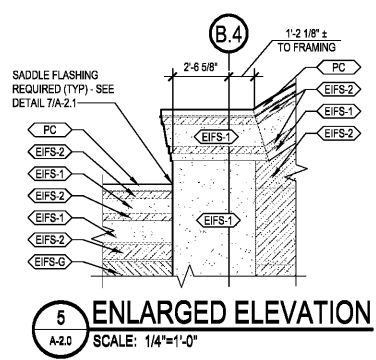


ELEVATION LEGEND

KEYNOTE	HATCH	DESCRIPTION	COLOR
SP-RB	[Hatch]	SPLIT-FACE CMU VENEER - RUNNING BOND	SHERWIN WILLIAMS - VIRTUAL TAUPE - SW7039
SP-SB	[Hatch]	SPLIT-FACE CMU VENEER - STACK BOND	SHERWIN WILLIAMS - VIRTUAL TAUPE - SW7039
EIFS-1	[Hatch]	EIFS - COLOR 1 (FINISH - PRODUCT STOLT 130)	STO 'SANDSTONE' 93240 (NA10-0052)
EIFS-2	[Hatch]	EIFS - COLOR 2 (FINISH - PRODUCT STOLT 130)	STO 'SMOKED PUTTY' 93240 (NA10-0053)
EIFS-G	[Hatch]	EIFS - ACCENT COLOR (FINISH - PRODUCT STOLT 130)	STO SW 'ENVY' SW6925 (NA10-0054)
SILL	[Hatch]	EIFS SILL - SEE DETAIL 2/A-2.1	STO 'SMOKED PUTTY' 93240 (NA10-0053)
PC	[Hatch]	24 GAUGE GALVANIZED METAL PARAPET CAP W/ FINISH SPRINGS - 1/2\"	SHERWIN WILLIAMS - ENVY - SW6925
DNS	[Hatch]	3\"	PAINT TO MATCH ADJACENT EIFS & CMU - 'BALANCED BEIGE' SW7037 & 'VIRTUAL TAUPE' - SW7039
GTR	[Hatch]	8\"	SHERWIN WILLIAMS 'BALANCED BEIGE' SW7037
DECK	[Hatch]	3\"	SHERWIN WILLIAMS - ENVY - SW6925
SCNC	[Hatch]	NEL LED WALL SCONCE @ 8'-8\"	DARK BRONZE
MCJ	[Hatch]	STEEL DOOR & HOLLOW METAL FRAME	SHERWIN WILLIAMS 'BALANCED BEIGE' SW7037

KEYNOTE	DESCRIPTION	PAINTING NOTES
A	STOREFRONT TYPE (REFER TO SHEET A-3.0)	(1) COAT OF S-W LEXON BLOCK SURFACER A24W200 (OR EQUAL). (2) COATS OF S-W CONFLX XL ELASTOMERIC HIGH BUILD COATING, A5-400 SERIES (OR EQUAL)
500	DOOR NUMBER (REFER TO SHEET A-3.1)	METAL - (2) COATS OF S-W METALTEX ACRYLIC SEMI-GLOSS (B42 SERIES)
SCND	MASONRY CONTROL JOINT - PROVIDE BACKERROD & SEALANT W/ CLEAN APPEARANCE	LINTELS - PAINT STOREFRONT LINTELS PER METAL; NOTE ABOVE WITH SHERWIN WILLIAMS 'BALANCED BEIGE' SW7037 AFTER PRIMING WITH (1) COAT OF S-W PRO INDUSTRIAL PRO-CRYL UNIVERSAL PRIMER (B66-310 SERIES)



CLARK | GER | LATHAM
 AND ASSOCIATES, INC.
 5501 SPRING HILL AVENUE | INDOLE, AL 36608 | 251-344-7073

DOLLAR TREE
 OCOEE, FLORIDA

REV.	DATE	DESCRIPTION

PROJECT NUMBER: 1805-49
 DRAWN BY: LGS
 CHECKED BY:
 ISSUE DATE: 6-8-19
 DESCRIPTION:
 STATE OF FLORIDA
 J. G. CAMP
 REGISTERED ARCHITECT
 AR 9215
 6-6-19

SHEET TITLE:
EXTERIOR ELEVATIONS
 SHEET NUMBER:
A-2.0