

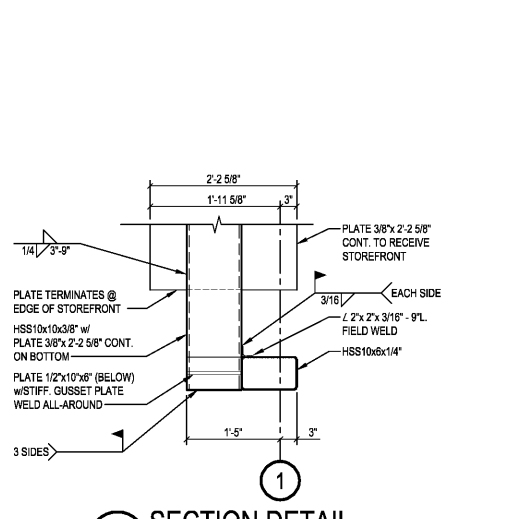
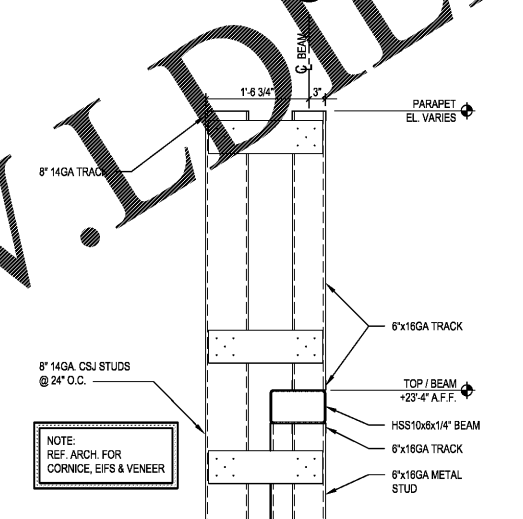
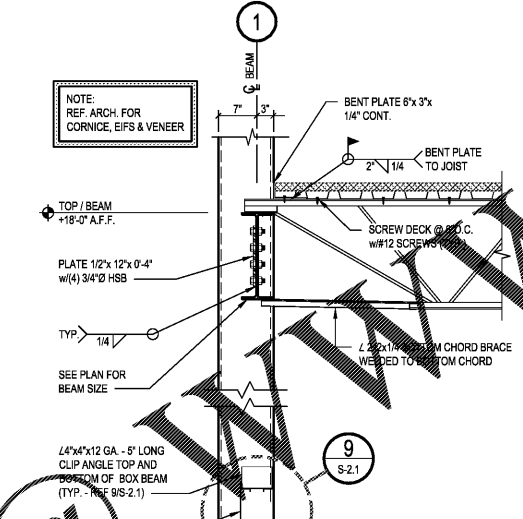
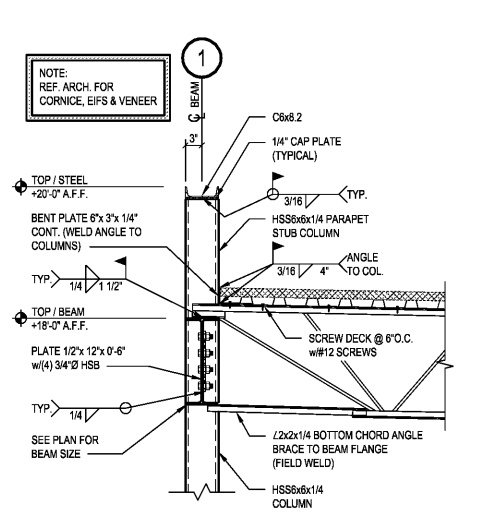
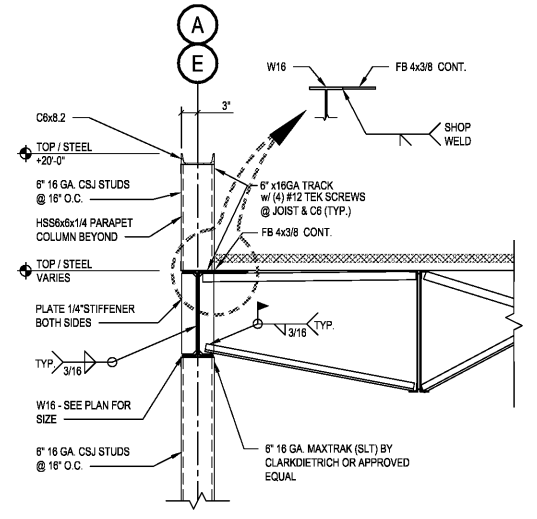
A SECTION
S-2.1 SCALE: 3/4"=1'-0"

B SECTION
S-2.1 SCALE: 3/4"=1'-0"

C SECTION
S-2.1 SCALE: 3/4"=1'-0"

D SECTION
S-2.1 SCALE: 3/4"=1'-0"

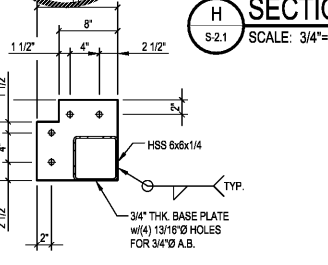
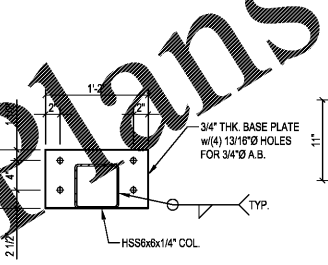
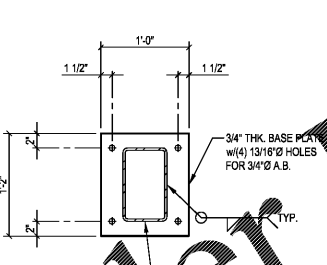
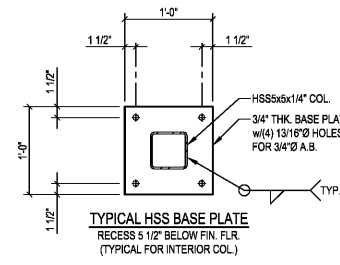
E SECTION
S-2.1 SCALE: 3/4"=1'-0"



F SECTION
S-2.1 SCALE: 3/4"=1'-0"

G SECTION
S-2.1 SCALE: 3/4"=1'-0"

H SECTION
S-2.1 SCALE: 3/4"=1'-0"

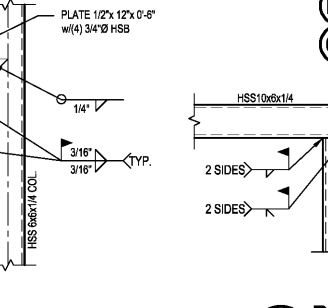
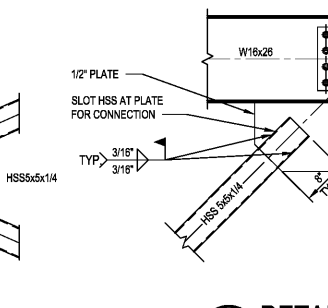
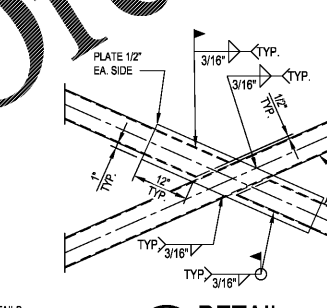
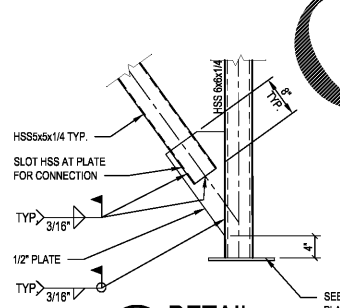


1 DETAIL
S-2.1 SCALE: 1"=1'-0"

2 DETAIL
S-2.1 SCALE: 1"=1'-0"

3 DETAIL
S-2.1 SCALE: 1"=1'-0"

4 DETAIL
S-2.1 SCALE: 1"=1'-0"



5 DETAIL
S-2.1 SCALE: 3/4"=1'-0"

6 DETAIL
S-2.1 SCALE: 3/4"=1'-0"

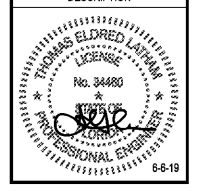
7 DETAIL
S-2.1 SCALE: 3/4"=1'-0"

8 DETAIL
S-2.1 SCALE: 3/4"=1'-0"

LSNAPP/06/2010 11:38:20 AM K:\1805-dollar tree\46-concrete\Structural.dwg

REV.	DATE	BY	DESCRIPTION

PROJECT NUMBER:	1805-49
DRAWN BY:	KKT
CHECKED BY:	TEL
ISSUE DATE:	6-6-18



SHEET TITLE:
FRAMING SECTIONS & DETAILS

SHEET NUMBER:
S-2.1