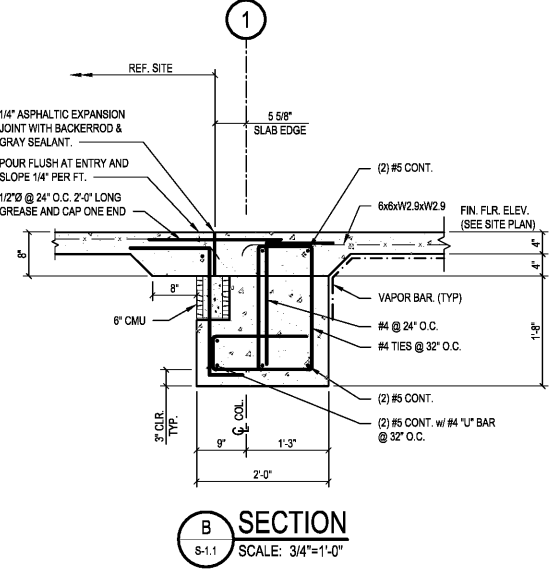
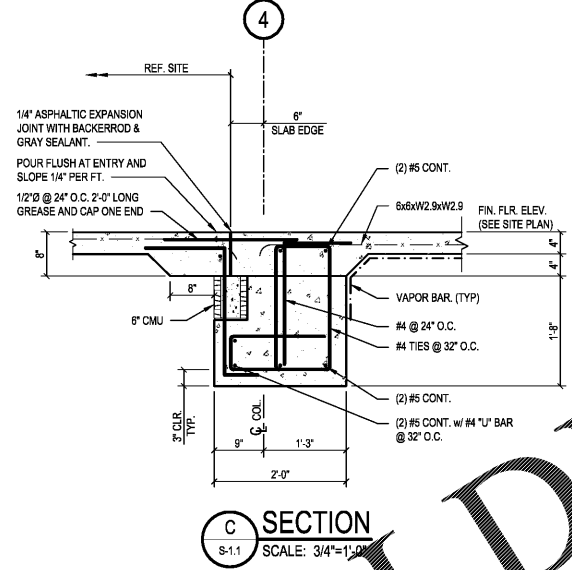


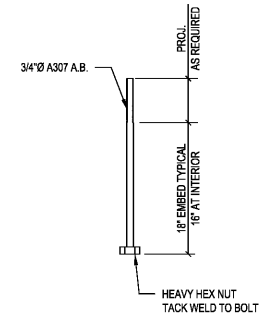
A SECTION
S-1.1 SCALE: 3/4"=1'-0"



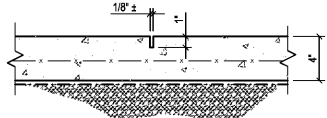
B SECTION
S-1.1 SCALE: 3/4"=1'-0"



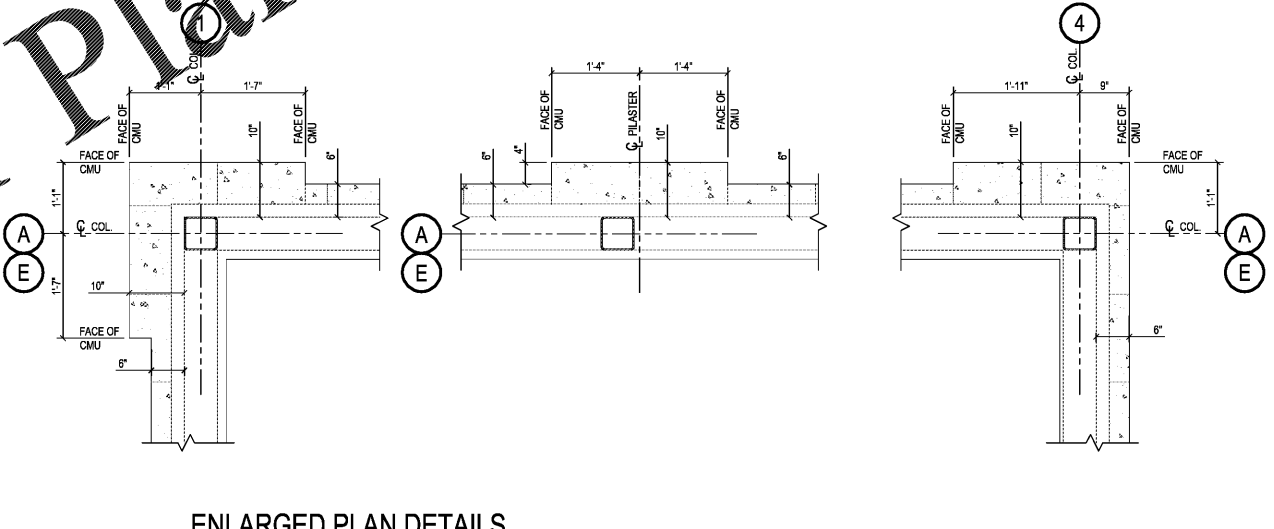
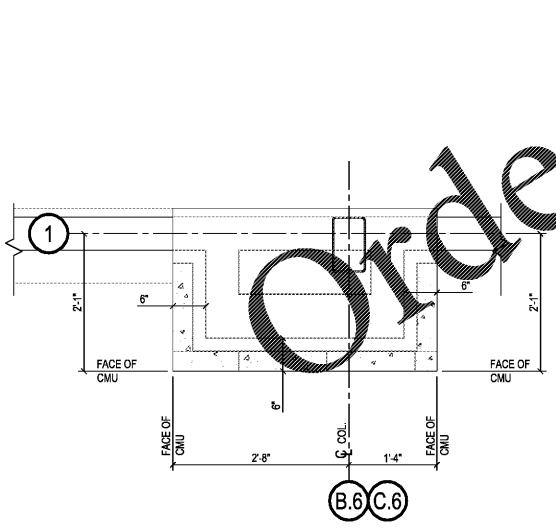
C SECTION
S-1.1 SCALE: 3/4"=1'-0"



ANCHOR BOLT DETAIL (TYP.)
SCALE: NOT TO SCALE
NOTE:
ALL ANCHOR BOLT LOCATIONS TO BE VERIFIED PRIOR TO ANY CONCRETE POUR.



SAWN JOINT (S.J.)
SCALE: 1 1/2" = 1'-0"
NOTE:
ALL SAWN JOINTS ARE TO BE COMPLETED WITHIN 12 HOURS OF THE INITIAL CONCRETE POUR.



ENLARGED PLAN DETAILS
SCALE: 3/4"=1'-0"
NOTES:
1. COORDINATE ALL SLAB EDGES WITH ARCHITECTURAL PRIOR TO POURING SLAB.

LSNAPP\B62010 11:28:16 AM 1/18/05 dollar tree\46 tower_1\Structural.dwg

REV.	DATE	BY	DESCRIPTION

PROJECT NUMBER:	1805-49
DRAWN BY:	KKT
CHECKED BY:	TEL
ISSUE DATE:	6-6-19

