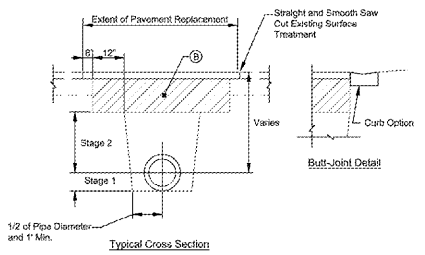


- NOTES:**
1. Meter/MKU shall be in accordance with the City's metering system or approved equal.
 2. Backflow device shall be per the City's Cross Connection Control Manual.
 3. Contractor shall be responsible for supplying and installing all materials, water meter, and backflow prevention device.
 4. All pipes, fittings, and end valves as indicated as private shall be the responsibility of the owner.

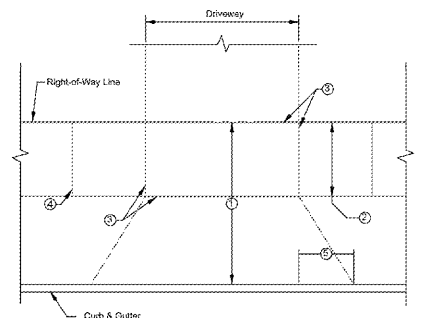
DETAIL NO.	CITY OF OCOEE CONSTRUCTION DETAILS
UT503	Commercial/Multi-Family Meter Configuration
DATE:	May 2016
SCALE:	n/a



- Stage Compositions:**
1. Backfilling of trench shall be in six inch (6") maximum lifts.
 2. Stage 1 - Backfilling trench in Stage 1 shall use proper mechanical equipment to insure proper compaction throughout, including pipe haunches.
 3. Stage 2 - Backfilling trench in Stage 2 shall be to bottom of sub-grade.

- NOTES:**
1. All work and material for the Flexible Pavement Reconstruction shall be in accordance with the most current City of Ocoee - Engineering Standards Manual (available at OCOEE.ORG).
 2. Any conflict between ESM specification and this sheet's specifications shall be resolved by the more stringent requirement.
 3. All reconstruction material shall replace "in-kind" material, but shall be subject to the minimum requirements as set forth by the ESM.
 4. Backfill and base material shall be clean and homogeneous compacted to 90% of the maximum density per AASHTO T-1603.
 5. Base course shall be prepared to 6" lifts maximum, and thoroughly rolled.
 6. Where trench line abuts existing curbs, curbs shall be cut in the event curb is uncracked and/or corroded, curb shall be replaced.
 7. For Open Cut - Rigid Pavement Replacement (PCG or Slab) refer to PW002 Open Cut - Rigid Pavement Replacement Detail.

DETAIL NO.	CITY OF OCOEE CONSTRUCTION DETAILS
PW001	Open Cut - Flexible Pavement Replacement
DATE:	Feb. 2016
SCALE:	n/a



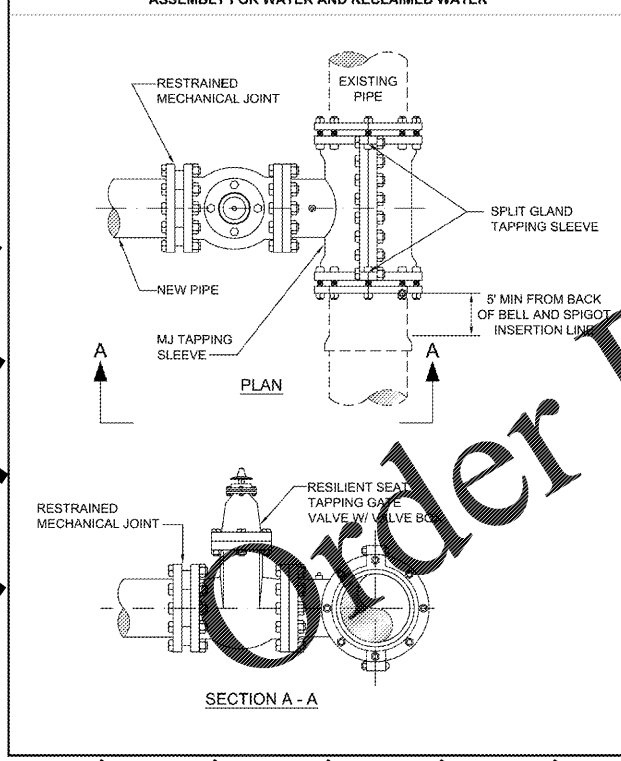
- Legend:**
- ① Driveway: approach and sidewalk 6" Thick - fc = 3,000 psi @ 28 days, 6" x 6" side notes.
 - ② Sidewalk: 4" Thick - fc = 3,000 psi @ 28 days.
 - ③ Expansion Joint: bituminous fiber board material 1/2" thick and full depth.
 - ④ Construction Joint: sealed, dummy or sawed (1" depth minimum, spacing equal width of sidewalk).
 - ⑤ Approach Transition: Plain 3" - Curb shall be dropped if not mounted.

- Notes:**
- Curbs shall be dropped through driveway to 3" minimum width of driveway for non-mountable curb.
 - All wooden stakes used in form work to be removed or staked in concrete.

DETAIL NO.	CITY OF OCOEE CONSTRUCTION DETAILS
PW001	Driveway Approach
DATE:	Feb. 2015
SCALE:	n/a

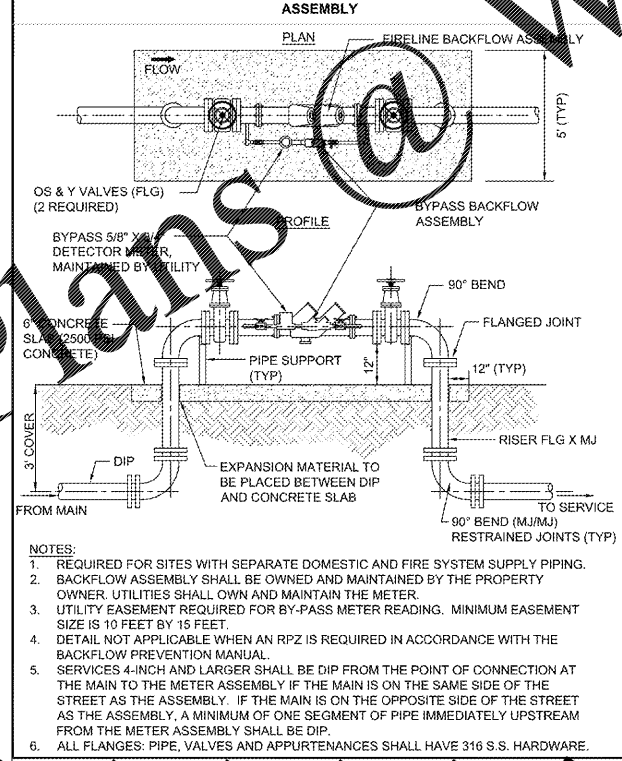
ORANGE COUNTY UTILITIES STANDARDS AND CONSTRUCTION SPECIFICATIONS MANUAL

APPENDIX A STANDARD DRAWINGS GENERAL
DATE: February 11, 2011
MJ TAPPING SLEEVE AND GATE VALVE ASSEMBLY FOR WATER AND RECLAIMED WATER FIGURE A121-1



ORANGE COUNTY UTILITIES STANDARDS AND CONSTRUCTION SPECIFICATIONS MANUAL

APPENDIX A STANDARD DRAWINGS GENERAL
DATE: February 11, 2011
DOUBLE DETECTOR CHECK VALVE ASSEMBLY FIGURE A122-2



- NOTES:**
1. REQUIRED FOR SITES WITH SEPARATE DOMESTIC AND FIRE SYSTEM SUPPLY PIPING. BACKFLOW ASSEMBLY SHALL BE OWNED AND MAINTAINED BY THE PROPERTY OWNER. UTILITIES SHALL OWN AND MAINTAIN THE METER.
 2. UTILITY EASEMENT REQUIRED FOR BY-PASS METER READING. MINIMUM EASEMENT SIZE IS 10 FEET BY 15 FEET.
 3. DETAIL NOT APPLICABLE WHEN AN RPZ IS REQUIRED IN ACCORDANCE WITH THE BACKFLOW PREVENTION MANUAL.
 4. SERVICES 4-INCH AND LARGER SHALL BE DIP FROM THE POINT OF CONNECTION AT THE MAIN TO THE METER ASSEMBLY IF THE MAIN IS ON THE SAME SIDE OF THE STREET AS THE ASSEMBLY. IF THE MAIN IS ON THE OPPOSITE SIDE OF THE STREET AS THE ASSEMBLY, A MINIMUM OF ONE SEGMENT OF PIPE IMMEDIATELY UPSTREAM FROM THE METER ASSEMBLY SHALL BE DIP.
 5. ALL FLANGES: PIPE, VALVES AND APPURTENANCES SHALL HAVE 316 S.S. HARDWARE.

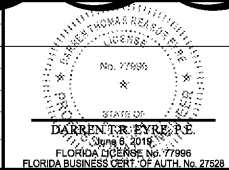
ORANGE COUNTY UTILITIES STANDARDS AND CONSTRUCTION SPECIFICATIONS MANUAL

APPENDIX A STANDARD DRAWINGS GENERAL
DATE: February 11, 2011
DRIVEWAY APPROACH FIGURE GN

- OCU GENERAL NOTES:**
1. THE CONTRACTOR SHALL EXERCISE EXTREME CAUTION WHEN EXCAVATING IN PROXIMITY OF WATER MAINS, WASTEWATER FORCE MAINS, GRAVITY MAINS AND RECLAIMED WATER MAINS. MAIN LOCATIONS SHOWN ON PLANS MAY NOT BE EXACT. THE CONTRACTOR IS RESPONSIBLE FOR FIELD VERIFYING EXISTING UTILITY LOCATIONS.
 2. SHOULD A PIPE EMERGENCY OCCUR, THE CONTRACTOR SHALL IMMEDIATELY NOTIFY THE OCU DISPATCH OPERATOR (407-836-2777) AND THE OCU INSPECTOR.
 3. THE CONTRACTOR SHALL NOTIFY THE OCU CONSTRUCTION DIVISION AT LEAST SEVEN DAYS PRIOR TO COMMENCEMENT OF THE CONSTRUCTION PROJECT BY CALLING (407) 254-8798.
 4. THE CONTRACTOR SHALL NOTIFY THE OCU CONSTRUCTION DIVISION AT LEAST 48 HOURS PRIOR TO ANY UTILITIES CONSTRUCTION BY CALLING (407) 254-8798.
 5. THE MATERIALS, PRODUCTS, AND CONSTRUCTION OF ALL UTILITIES CONNECTING TO THE OCU SYSTEM SHALL BE IN CONFORMANCE WITH THE ORANGE COUNTY UTILITIES STANDARDS AND CONSTRUCTION SPECIFICATIONS MANUAL.
 6. ALL OCU MAINS AND FACILITIES WITHIN THE LIMITS OF THE PROJECT SHALL BE SUPPORTED AND PROTECTED AGAINST DAMAGE DURING CONSTRUCTION.
 7. THE CONTRACTOR, AT THE CONTRACTOR'S EXPENSE, SHALL IMMEDIATELY REPAIR ALL DAMAGES TO OCU MAINS AND FACILITIES. IF THE REPAIR IS NOT MADE IN A TIMELY MANNER, AS DETERMINED BY OCU, OCU MAY PERFORM REQUIRED REPAIRS AND CLEANUP. THE CONTRACTOR WILL BE CHARGED FOR ALL EXPENSES ASSOCIATED WITH THE REPAIR.
 8. THE CONTRACTOR SHALL ADJUST ALL EXISTING OCU MAINS AND FACILITIES IN CONFLICT WITH NEW GRADE, NEW OR ALTERED ROADWAYS, SIDEWALKS, DRIVEWAYS, OR STORM WATER IMPROVEMENTS. OCU FACILITIES TO BE ADJUSTED INCLUDE, BUT ARE NOT LIMITED TO PIPELINES, PUMP STATIONS, VALVE BOXES, AIR RELEASE VALVES, FIRE HYDRANTS, MANHOLE COVERS, AND METERS.
 9. ONLY OCU SHALL OPERATE OCU WATER, WASTEWATER, AND RECLAIMED WATER VALVES. THE CONTRACTOR SHALL COORDINATE VALVE OPERATION WITH THE OCU INSPECTOR. FOR OPERATION OF MAINS NOT OWNED BY OCU, IT IS THE CONTRACTOR'S RESPONSIBILITY TO COORDINATE WITH THE APPROPRIATE UTILITY REPRESENTATIVE.
 10. CONSTRUCTION ACTIVITIES SHALL NOT CAUSE INTERRUPTIONS IN WATER, WASTEWATER, OR RECLAIMED WATER SERVICE. THE CONTRACTOR SHALL COORDINATE PRE-APPROVED INTERRUPTIONS OF SERVICE WITH THE OCU INSPECTOR 7 WORKING DAYS IN ADVANCE.

11. THE CONTRACTOR SHALL PROVIDE FOR BYPASSING AND/OR HAULING WASTEWATER DURING APPROVED INTERRUPTIONS OF WASTEWATER FLOWS AND CONNECTIONS. THE CONTRACTOR SHALL SUBMIT A BYPASS PLAN SIGNED AND SEALED BY A PROFESSIONAL ENGINEER TO OCU DEVELOPMENT ENGINEERING FOR APPROVAL PRIOR TO IMPLEMENTATION BY CONTRACTOR.
12. ALL VALVES INSTALLED AS PART OF THIS CONSTRUCTION PROJECT SHALL REMAIN CLOSED DURING CONSTRUCTION. KEEP VALVES ON ALL WET TAPS CLOSED UNTIL CLEARED BY FDEP. DO NOT CONNECT NEWLY CONSTRUCTED WATER MAINS TO ANY EXISTING WATER MAINS UNLESS CLEARED BY FDEP AND OCU.
13. THE CONTRACTOR SHALL PROVIDE A JUMPER ASSEMBLY WITH A BACKFLOW PREVENTER FOR MAKING TEMPORARY CONNECTIONS TO AN EXISTING POTABLE WATER SOURCE IN ORDER TO CHLORINATE AND FLUSH NEW WATER MAINS WITH POTABLE WATER. ANY TEMPORARY POTABLE WATER CONNECTIONS TO RECLAIMED WATER OR FORCEMAIN SHALL ALSO BE EQUIPPED WITH A BACKFLOW PREVENTER.
14. FOR PVC PIPE THAT WILL BE OWNED AND MAINTAINED BY OCU, NO PIPE BENDING IS ALLOWED. THE MAXIMUM ALLOWABLE TOLERANCE FOR JOINT DEFLECTION IS 0.75 DEGREES (3-INCHES PER JOINT PER 20 FT STICK OF PIPE.) ALIGNMENT CHANGE SHALL BE MADE ONLY WITH SLEEVES AND FITTINGS.
15. FOR NON-PVC PIPE THAT WILL BE OWNED AND MAINTAINED BY OCU, LONG RADIUS CURVES, EITHER HORIZONTAL OR VERTICAL, MAY BE INSTALLED WITH STANDARD PIPE BY DEFLECTIONS AT THE JOINTS. MAXIMUM DEFLECTIONS AT PIPE JOINTS, FITTINGS AND LAYING RADIUS FOR THE VARIOUS PIPE LENGTHS SHALL NOT EXCEED 75 PERCENT OF THE PIPE MANUFACTURER'S RECOMMENDATION.

THOMAS		PER CITY OF OCOEE COMMENTS 5/13/19	
4950 W. KENNEDY BLVD, SUITE 600 TAMPA, FLORIDA 33609 Phone: (813) 378-4100 Fax: (813) 378-4040 ThomasEngineeringGroup.com		PER CITY OF OCOEE COMMENTS 3/29/19	
REV.	DATE	DRN	CHK
1	05/15/2019	CTD	CTD
2	01/17/2019	AG	CTD
DESCRIPTION		DOCUMENT CONTROL	



DOLLAR TREE	
OCOEE, FL	
UTILITY DETAILS	
PROJ. NO.	FT180066
DWG. NO.	C-11.2