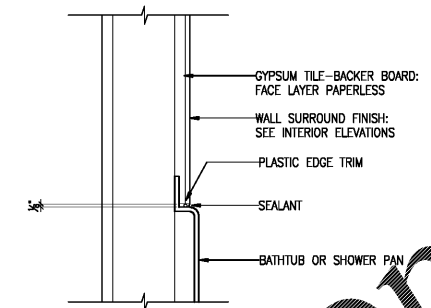


15 | NOT USED

11 | NOT USED

07 | NOT USED

03 | BATHTUB / SHOWER AT NON-FIRE-RATED WALL

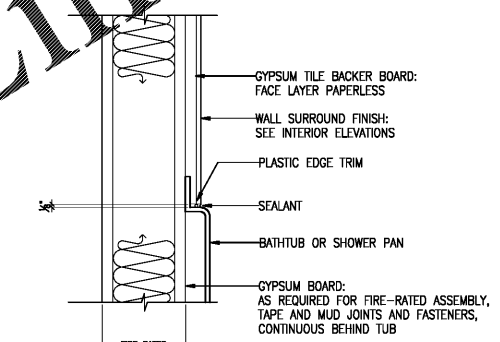
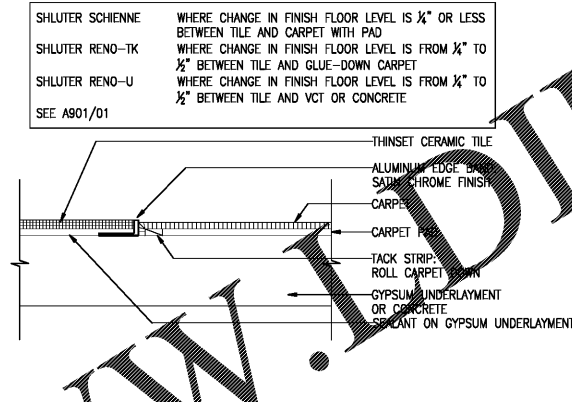
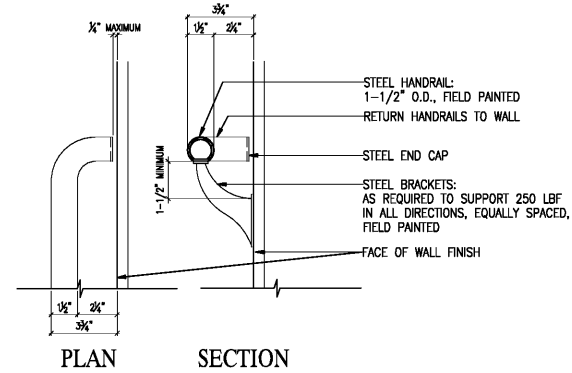


14 | NOT USED

10 | STEEL HANDRAILS AT WALL

06 | FINISH FLOOR TRANSITION

02 | BATHTUB / SHOWER AT FIRE-RATED WALL

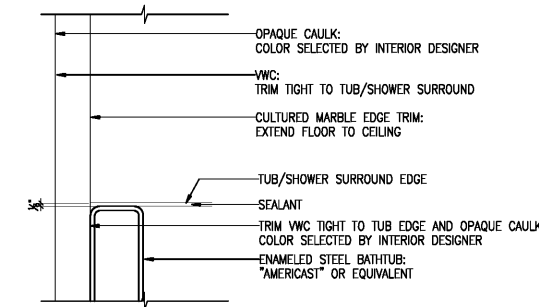
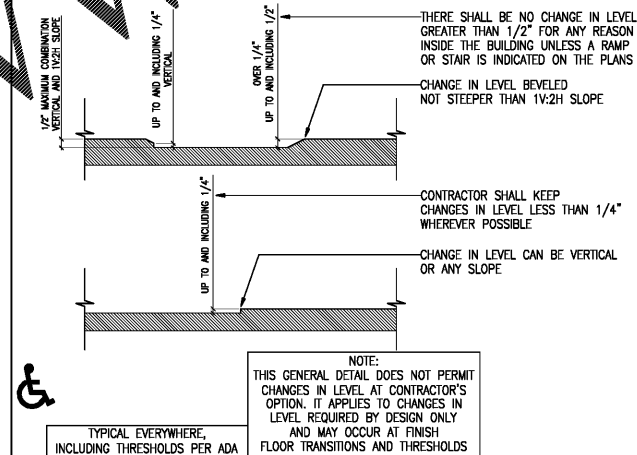
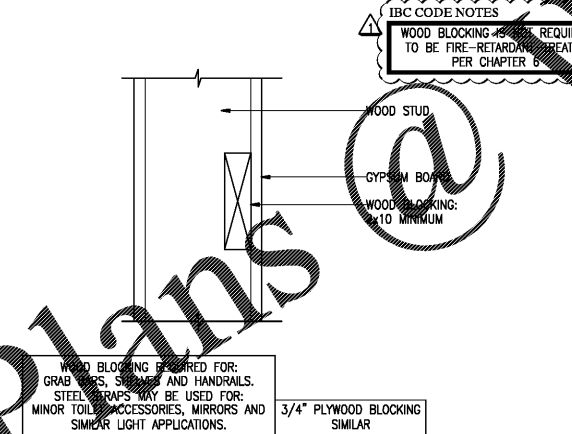
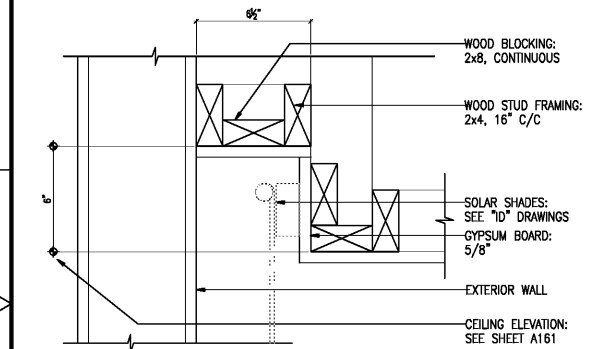


13 | DRAPERY POCKET

09 | WOOD BLOCKING

05 | FINISH FLOOR CHANGES IN LEVEL

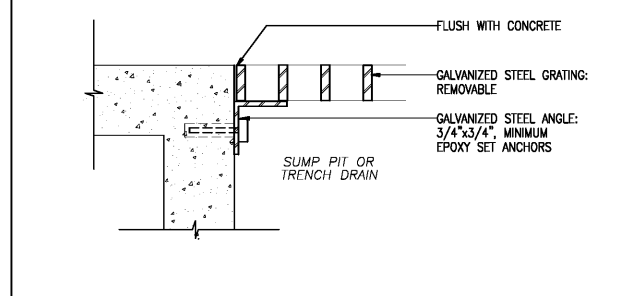
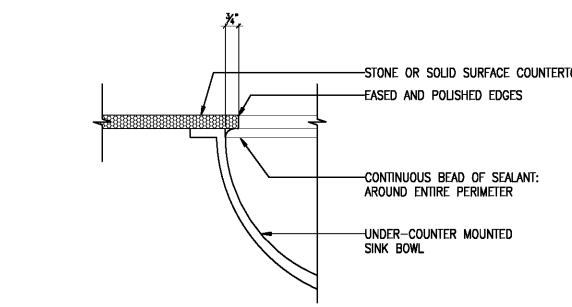
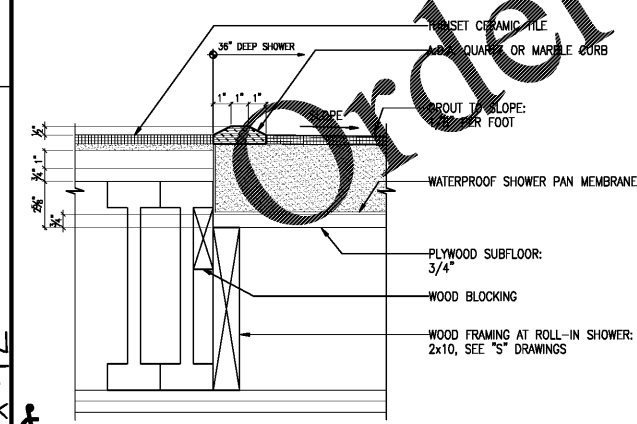
01 | EDGE OF TUB/SHOWER SURROUND



12 | ROLL-IN SHOWER

08 | UNDER COUNTER MOUNTED SINK

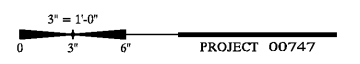
04 | TRENCH AND PIT GRATE



TOWNEPLACE SUITES by MARRIOTT
 NEW HOTEL
 MEMPHIS (CORDOVA), TENNESSEE
 WWW.DAVIDRCARTER.NET
 DAVID R. CARTER AND ASSOCIATES



ISSUE DATE 11-16-18
 REVISION LOG
 04-15-19/ADDENDUM 01



DETAILS A656

30 x 42