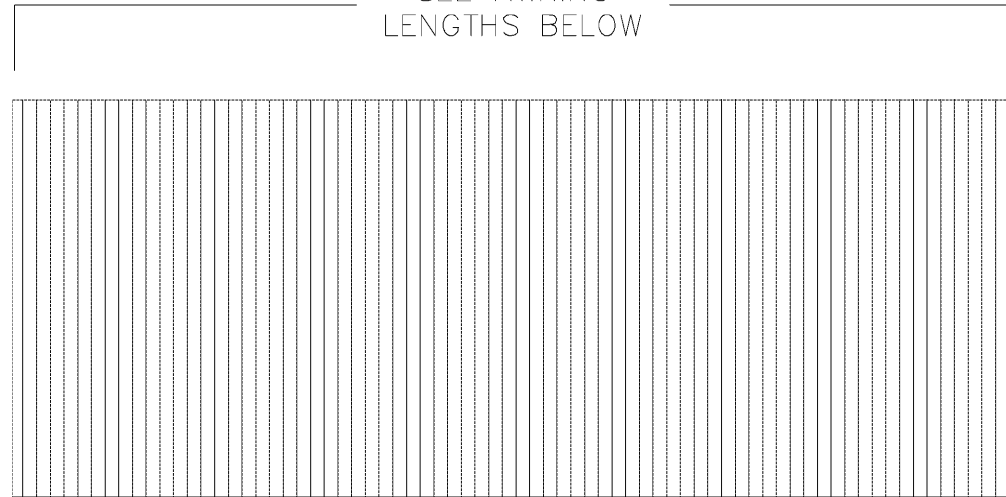
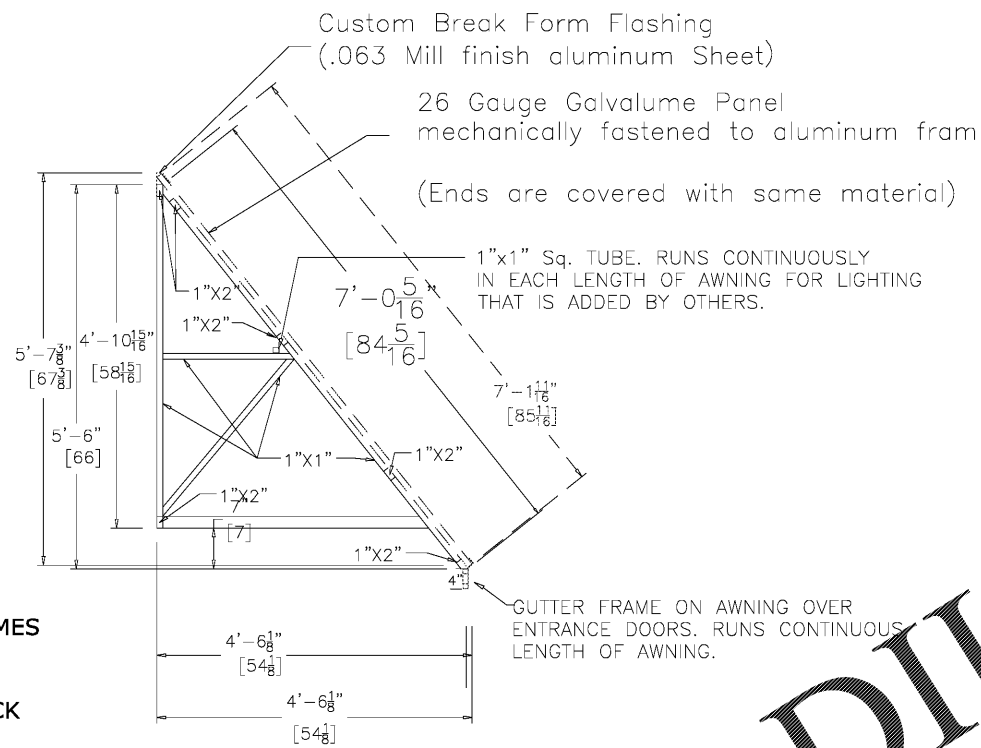


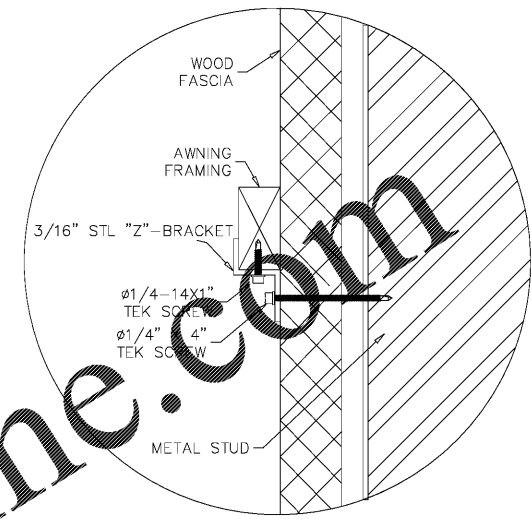
SEE AWNING LENGTHS BELOW



**SIGN TYPE G2: (1) SLANT AWNING FOR OVER ENTRANCE DOOR: PAINT ALUMINUM FRAMES & HARDWARE ALUMINUM FINISH. NO FABRIC OR TRIM. Z-CLIPS TOP AND BOTTOM ALUMINUM RAILS @ 48" SPACING. CORRUGATED METAL DECK**

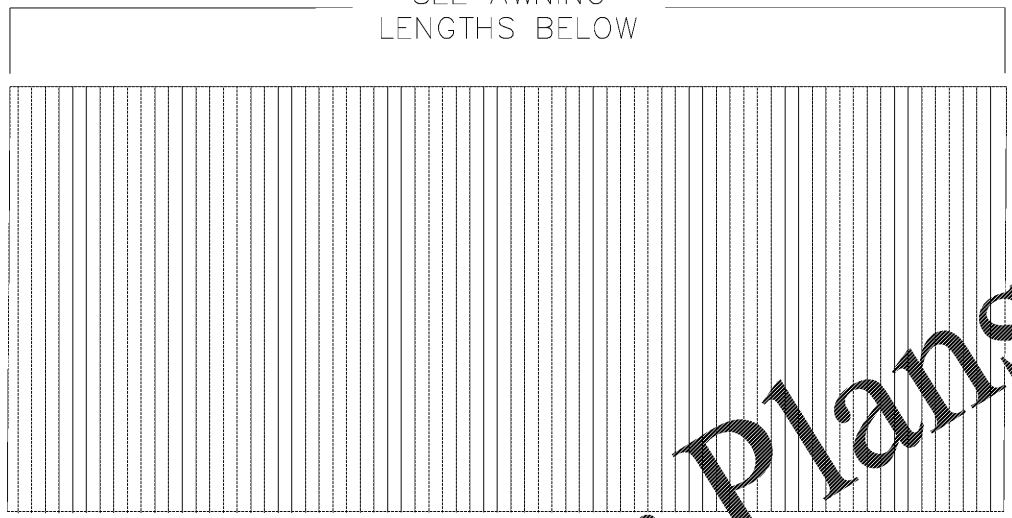


**1** CORRUGATED METAL AWNING STRUCTURE DETAIL\_ENTRANCE. SCALE=NTS

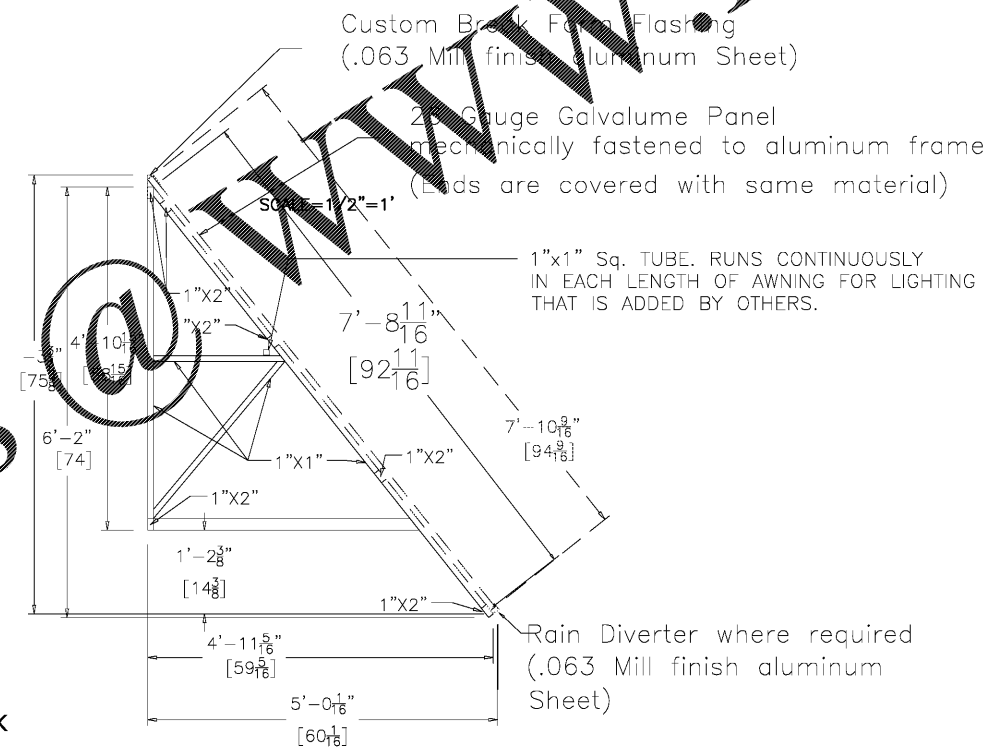


**4** MOUNTING DETAIL SCALE=NTS

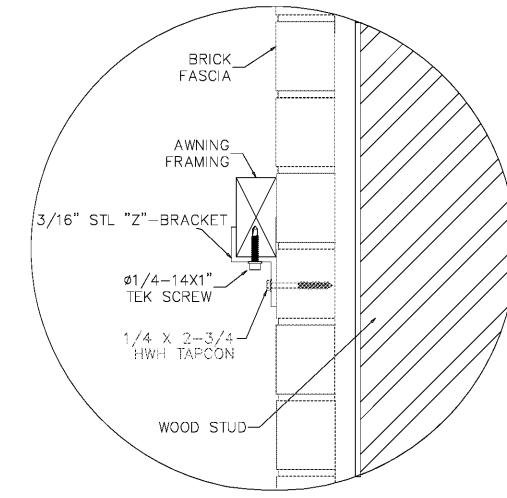
SEE AWNING LENGTHS BELOW



**(6) SLANT AWNINGS: PAINT ALUMINUM FRAMES & HARDWARE ALUMINUM FINISH. NO FABRIC OR TRIM. Z-CLIPS TOP AND BOTTOM ALUMINUM RAILS @ 48" SPACING. CORRUGATED METAL DECK**



**2** CORRUGATED METAL AWNING STRUCTURE DETAIL\_ENTRANCE. SCALE=NTS



**5** MOUNTING DETAIL SCALE=NTS

**AWNING LENGTHS**

- SIGN TYPE G1 - 27'-7"
- SIGN TYPE G2 - 14'-3"
- SIGN TYPE G3 - 35'-0"
- SIGN TYPE G4 - 37'-0"
- SIGN TYPE G5 - 14' - 4"
- SIGN TYPE G6 - 14' - 4"
- SIGN TYPE G7 - 35' - 6"

**3** CORRUGATED METAL AWNING SECTION LENGTHS. SCALE=NTS

**NOTE: SHIP (2) TWO 1" x 2" x 21' ALUMINUM RECTANGLE TUBES WITH JOB.**

This original drawing is provided as part of a planned project and is not to be exhibited, copied or reproduced without the permission of Federal Heath Sign Company or its authorized agent.

**Bubba's**  
W.A. MAESER, INC.  
EAST FRANKLIN BOULEVARD & ARMSTRONG PARK ROAD  
GASTONIA, NC  
PERMIT/BID SET

NO.	REVISIONS	DATE	BY

DESIGN NO: N-010801  
PROJECT: WBR S. MAESER  
DRAWN BY:  
DATE: 5/3/19  
APPROVED BY:  
SCALE: AS NOTED  
JOB NO: -