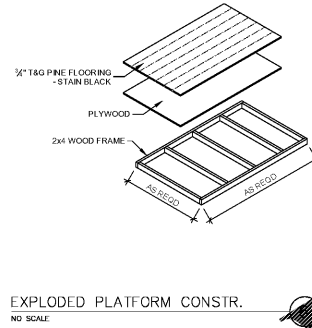
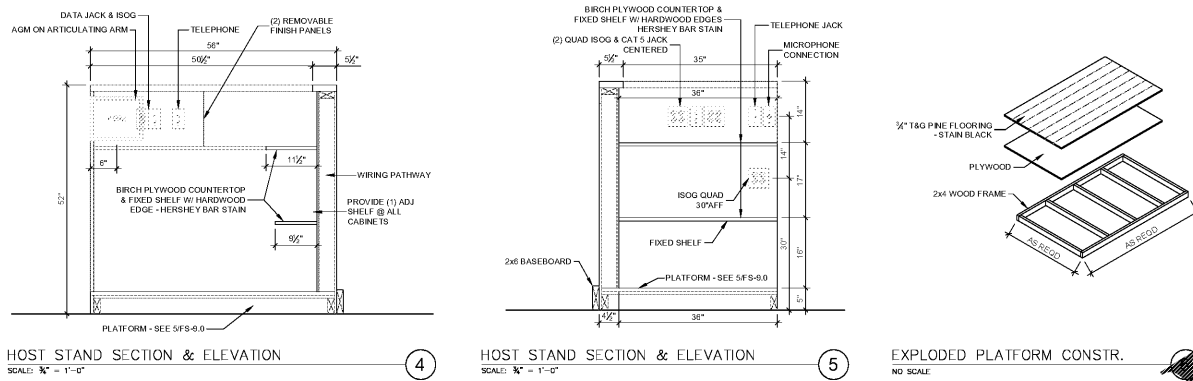
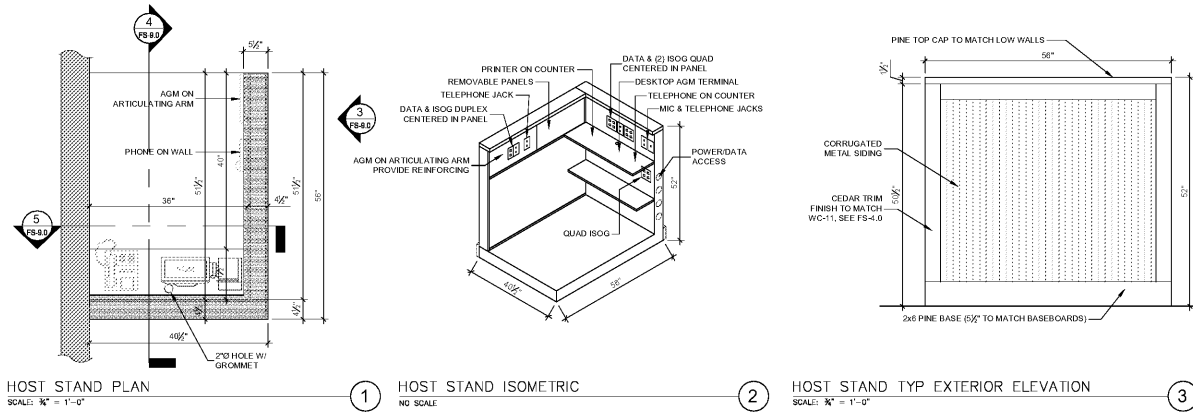


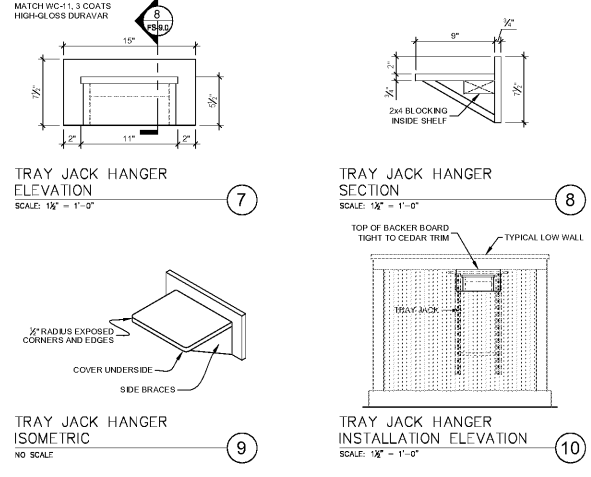
HOST/TAKEOUT STAND CONSTRUCTION DETAILS

ASSEMBLED BY MILLWORK PROVIDER
CEDAR TRIM - WC-11 SUPER DECK #1907 - "CANYON BROWN"
BIRCH VENEER PLYWOOD COUNTER TOP & SHELF - HERSEY BAR STAIN



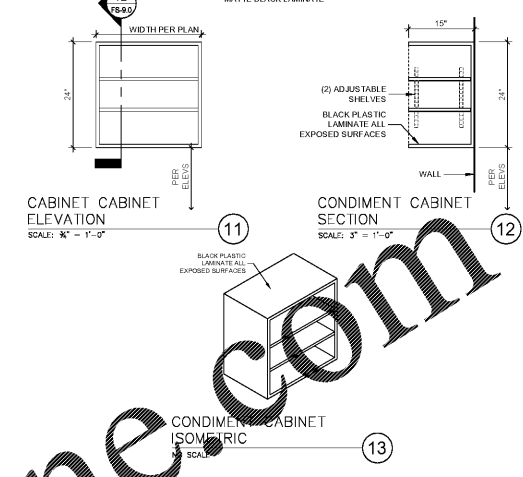
TRAY JACK HOLDER DETAILS

BIRCH PLYWOOD CONSTRUCTION, STAINED SUPERDECK #1907 - "CANYON BROWN" TO MATCH WC-11, 3 COATS HIGH-GLOSS DURAVAR
ASSEMBLED BY MILLWORK PROVIDER
QUANTITIES PER PLAN LOCAL STAFF
LOCATE PER LOCAL STAFF DIRECTION



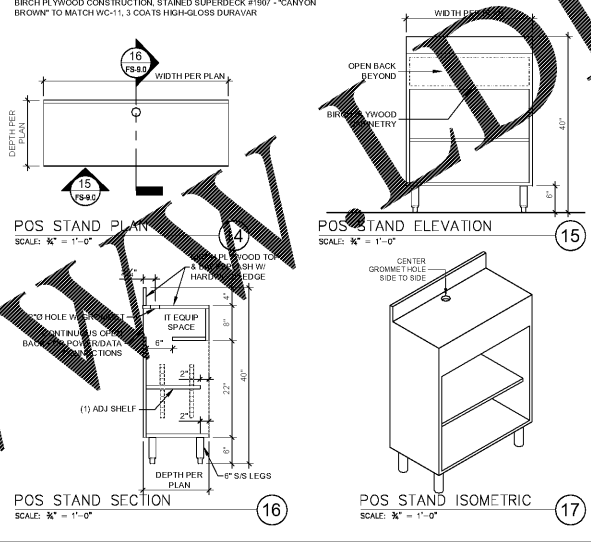
CONDIMENT CABINET DETAILS

ASSEMBLED BY MILLWORK PROVIDER
QUANTITIES & WIDTHS PER PLAN
LOCATE PER ELEVATIONS
MATTIE BLACK LAMINATE



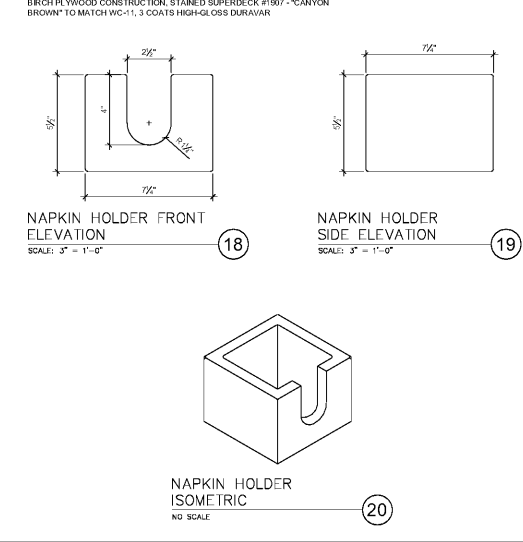
POS STAND DETAILS

ASSEMBLED BY MILLWORK PROVIDER
QUANTITIES PER PLAN
BIRCH PLYWOOD CONSTRUCTION, STAINED SUPERDECK #1907 - "CANYON BROWN" TO MATCH WC-11, 3 COATS HIGH-GLOSS DURAVAR



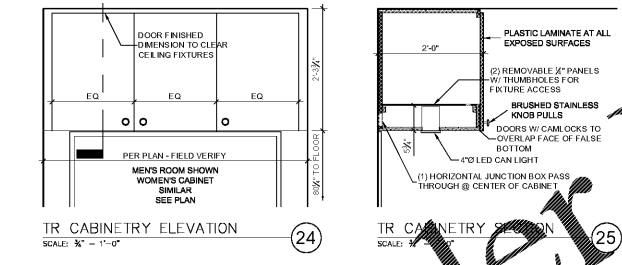
NAPKIN HOLDER DETAILS

ASSEMBLED BY MILLWORK PROVIDER
QUANTITIES PER PLAN LOCAL STAFF
LOCATE PER LOCAL STAFF DIRECTION
BIRCH PLYWOOD CONSTRUCTION, STAINED SUPERDECK #1907 - "CANYON BROWN" TO MATCH WC-11, 3 COATS HIGH-GLOSS DURAVAR



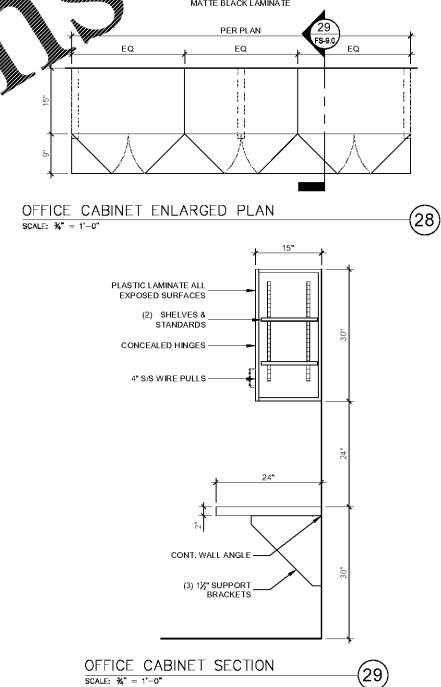
TOILET ROOM CABINERY DETAILS

ASSEMBLED BY MILLWORK PROVIDER
LAMINATE: FORMICA "DARK CHOCOLATE" MATTIE FINISH #2209-58



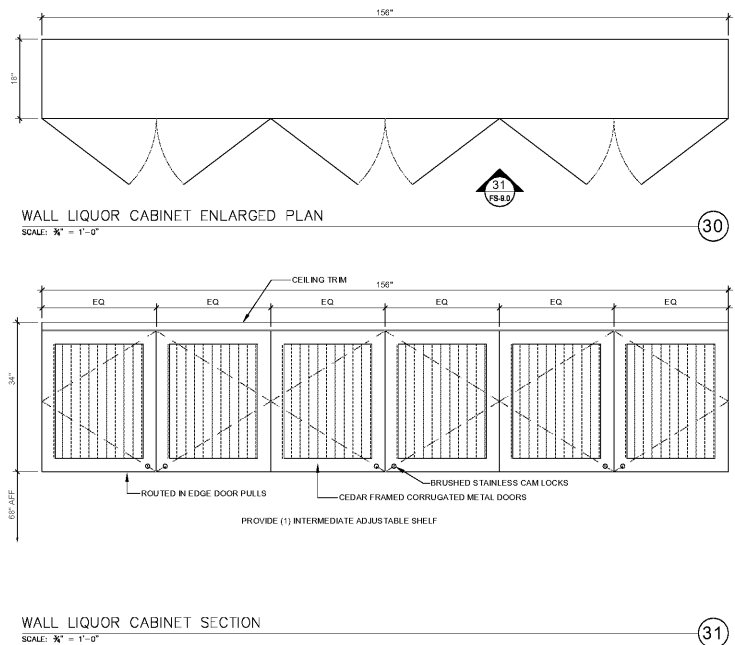
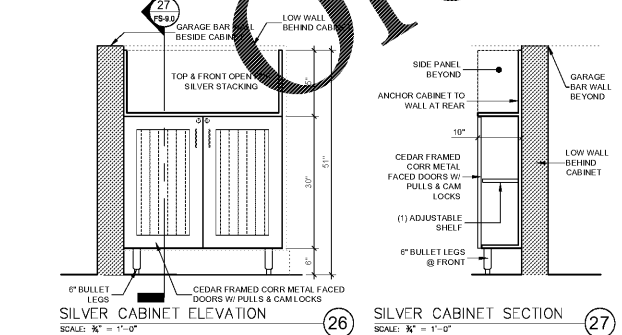
OFFICE CABINET DETAILS

ASSEMBLED BY MILLWORK PROVIDER
QUANTITIES & WIDTHS PER PLAN
MATTIE BLACK LAMINATE



SILVERWARE CABINET DETAILS

ASSEMBLED BY MILLWORK PROVIDER



XXXXXXXX.X

COPYRIGHT NOTICE

THIS DRAWING IS THE PROPERTY OF TEXAS ROADHOUSE INC. AND IS NOT TO BE USED FOR ANY PURPOSE OTHER THAN THE SPECIFIC PROJECT AND SITE NAMED HEREIN, AND CANNOT BE REPRODUCED IN ANY MANNER WITHOUT THE EXPRESS WRITTEN PERMISSION FROM TEXAS ROADHOUSE INC.



GASTONIA, NC
EAST FRANKLIN BLVD & ARNSTROM PARK RD



PERMIT/BID SET
05.03.2019

DRAWN BY: KMS
CHECKED BY:
REVISIONS: 1

THE CONSTRUCTION DOCUMENTS SHALL CONSIST OF ALL DRAWINGS, SPECIFICATIONS, SURVEYS, SOLE REPORTS, ADDENDUMS AND OTHER DOCUMENTS REFERENCED HEREIN. NONE OF THIS INFORMATION OR DRAWING SHEETS SHALL BE TAKEN SEPARATELY OR STAND ALONE FROM THE REMAINDER OF THE CONSTRUCTION DOCUMENTS. THE ENTIRE SET OF CONSTRUCTION DOCUMENTS IS TO BE REVIEWED TO DETERMINE THE PARTICULAR SCOPE OF WORK. ANY DISCREPANCY BETWEEN THE CONSTRUCTION DOCUMENTS SHALL BE INTERPRETED AT THE SOLE DISCRETION OF THE ARCHITECT.

SHEET TITLE
CABINETS, MILLWORK & SUPPLEMENTAL DETAILS

SHEET #
FS-9.0