

XXXXXXXX.X

COPYRIGHT NOTICE

THIS DRAWING IS THE PROPERTY OF TEXAS ROADHOUSE INC. AND IS NOT TO BE USED FOR ANY PURPOSE OTHER THAN THE SPECIFIC PROJECT AND SITE NAMED HEREIN, AND CANNOT BE REPRODUCED IN ANY MANNER WITHOUT THE EXPRESS WRITTEN PERMISSION FROM TEXAS ROADHOUSE INC.



PERMIT/BID SET 05.03.2019

DRAWN BY: KMS CHECKED BY: REVISIONS: 1

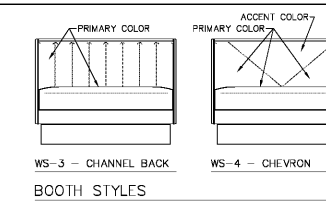
THE CONSTRUCTION DOCUMENTS SHALL CONSIST OF ALL DRAWINGS, SPECIFICATIONS, SURVEYS, SOLE REPORTS, ADDENDUMS AND OTHER DOCUMENTS REFERENCED HEREIN. NONE OF THIS INFORMATION OR DRAWING SHEETS SHALL BE TAKEN SEPARATELY OR STAND ALONE FROM THE REMAINDER OF THE CONSTRUCTION DOCUMENTS. THE CONTRACTOR SHALL BE RESPONSIBLE TO REVIEW THE ENTIRE SET OF CONSTRUCTION DOCUMENTS TO DETERMINE THE PARTICULAR SCOPE OF WORK. ANY DISCREPANCIES SHALL BE THE RESPONSIBILITY OF THE CONTRACTOR. THE CONTRACTOR SHALL BE RESPONSIBLE FOR OBTAINING ALL NECESSARY PERMITS AND ATTENTION OF THE ARCHITECT PRIOR TO SUBMITTING A BID SHALL BE INTERPRETED AT THE SOLE DISCRETION OF THE ARCHITECT.

SHEET TITLE BOOTHING LAYOUT

SHEET # FS-10.1

MATERIALS

VENDOR	MATERIAL	COLOR NAME	REFERENCE
D.L. COUCH	FABRIC	GOLDEN OAK	UHM-LG-01
D.L. COUCH	FABRIC	MONTAGE	UHM-LG-02
D.L. COUCH	FABRIC	BARK	UHM-LG-03
D.L. COUCH	FABRIC	CORDOVAN	UHM-LG-04
D.L. COUCH	FABRIC	PORPOISE	UHM-LG-05
D.L. COUCH	FABRIC	FALCON	UHM-LG-06
D.L. COUCH	FABRIC	DRIFTWOOD	UHM-LG-09
D.L. COUCH	FABRIC	"BIRCH" "OATMEAL"	UHM-TB-02
D.L. COUCH	FABRIC	"RUBBER" "ROUGE"	UHM-TB-12
D.L. COUCH	FABRIC	"SPRING MEADOW"	UHM-TB-17
D.L. COUCH	FABRIC	"BIRCH" "HERON"	UHM-TB-19
D.L. COUCH	FABRIC	"TROPIC ORANGE"	UHM-TB-11
PIONIER	LAMINATE	"CITY OF LIGHTS" SLIDE	M1330
WILSONART	LAMINATE	"BLACK ALICANTE"	4929K-01
WILSONART	LAMINATE	"RETRO DOMINO"	Y0069
MIRO	LAMINATE	"CRACKED ICE GRAY"	N/A
NAUGAHYDE	STOOL FABRIC	"STRATFORD" "TIMBERLAND"	SFB8
NAUGAHYDE	STOOL FABRIC	"STRATFORD" "LEMON PEEL"	SFB3
C.F. STINSON	STOOL FABRIC	"ROUGE" "BULL"	SFB2
C.F. STINSON	STOOL FABRIC	"ROUGE" "POPPY"	RUB80



BOOTH DESIGNATIONS

DESIGNATION	STYLE	PRIMARY FABRIC	ACCENT FABRIC
B-1	WS-3	CORDOVAN	-
B-2	WS-3	PORPOISE	-
B-3	WS-3	FALCON	-
B-4	WS-3	OATMEAL	-
B-5	WS-3	ROUGE	-
B-6	WS-3	"SPRING MEADOW"	-
B-7	WS-3	HERON	-
B-8	WS-3	TROPIC ORANGE	-
B-11	WS-4	MONTAGE	BARK
B-12	WS-4	CORDOVAN	GOLDEN OAK
B-13	WS-4	PORPOISE	DRIFTWOOD

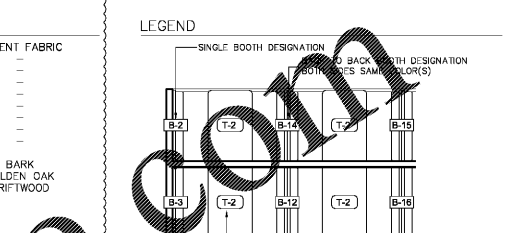
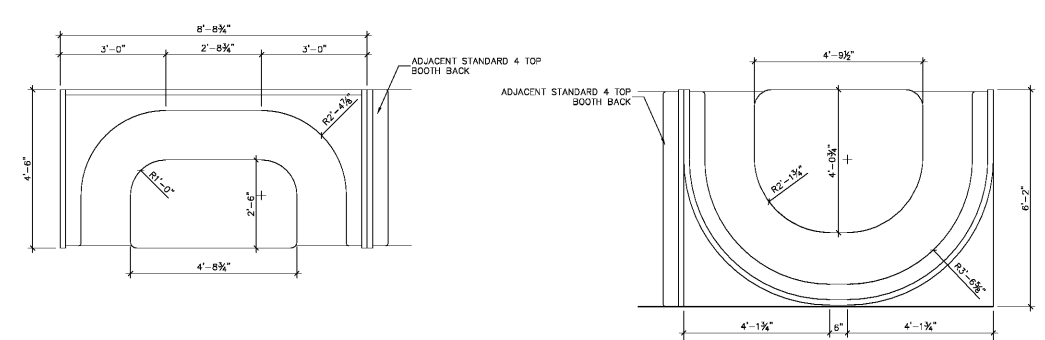


TABLE DESIGNATIONS

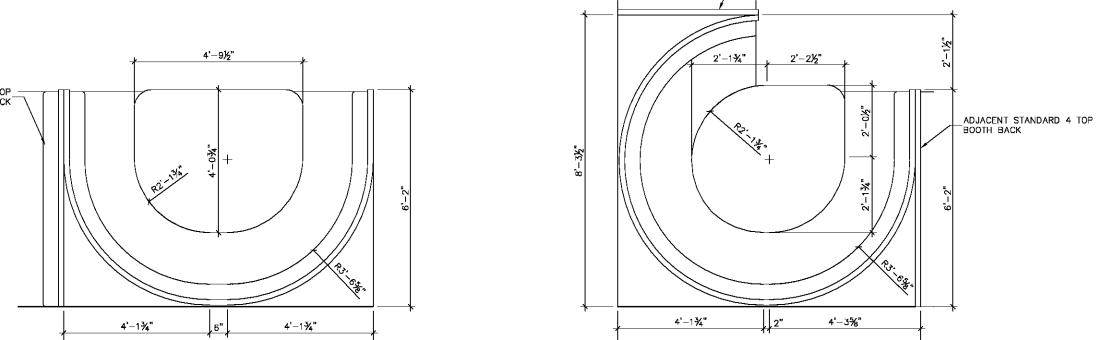
MARK	HT	WxD	COUNT	SURFACE	EDGE	NOTES:
T-01	30"	30x36	1	SUEDE/CITY OF LIGHTS	BGA-225	• WALL MOUNTED TABLES HAVE EDGING
T-02	30"	30x48	1	SUEDE/CITY OF LIGHTS	BGA-225	• 3 SIDES W/ NO SEAM IN EDGING
T-03	30"	30x48	1	WALL/INSET POST	BGA-225	• BOOTHS HAVE OPEN END CORNERS RADIUS'D
T-04	30"	30x66	1	WALL/END POST	BGA-225	• INSET END POSTS ARE TABLES W/ ADA COMPLIANT END ACCESSIBILITY - 17" CLEAR REQUIRED BETWEEN POST AND END OF TABLE
T-05	30"	30x66	1	WALL/INSET POST	BGA-225	• AT TABLES W/ END ACCESSIBILITY INDICATED MAINTAIN MIN 30" CLEAR BETWEEN FACES OF BOOTHS
T-06	30"	30x48	1	WALL	BGA-225	
T-07	30"	30x48	1	WALL/END POST	BGA-225	
T-08	30"	30x48	1	WALL/END POST	BGA-225	
T-09	30"	30x48	1	WALL/END POST	BGA-225	
T-10	30"	30x48	1	WALL/END POST	BGA-225	
T-11	30"	30x48	1	WALL/END POST	BGA-225	
T-12	30"	30x48	1	WALL/END POST	BGA-225	
T-13	30"	30x48	1	WALL/END POST	BGA-225	
T-14	30"	30x72	1	WALL/END POST	BGA-225	
T-15	30"	30x72	1	WALL/END POST	BGA-225	
T-16	30"	30x48	1	WALL/END POST	EPOXY - LEGENDS 1	EPOXY
T-17	30"	30x72	1	WALL/END POST	EPOXY - LEGENDS 2	EPOXY
T-18	30"	30x48	1	WALL/END POST	RETRO DOMINO	BGA-225
T-19	30"	30x48	1	WALL/INSET POST	RETRO DOMINO	BGA-225
T-20	30"	30x54	1	WALL/END POST	RETRO DOMINO	BGA-225
T-21	30"	30x74	1	WALL/END POST	RETRO DOMINO	BGA-225
T-22	30"	SEE DETAIL	5" Ø CENTER POST	RETRO DOMINO	BGA-225	
T-23	30"	SEE DETAIL	5" Ø CENTER POST	RETRO DOMINO	BGA-225	
T-24	30"	SEE DETAIL	5" Ø CENTER POST	RETRO DOMINO	BGA-225	
T-25	30"	SEE DETAIL	5" Ø CENTER POST	RETRO DOMINO	BGA-225	
T-26	30"	SEE DETAIL	5" Ø CENTER POST	RETRO DOMINO	BGA-225	

STOOLS & CHAIRS

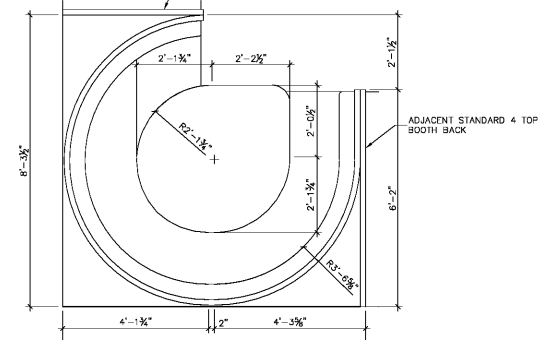
- PROVIDE STOOLS AND CHAIRS IN EQUAL AMOUNTS OF EACH OF 5 COLORS
- PROVIDE MINIMUM OVERLAP OF 2 EACH STYLE OF SEATING (CHAIR, STOOL W/BACK, STOOL W/O BACK)



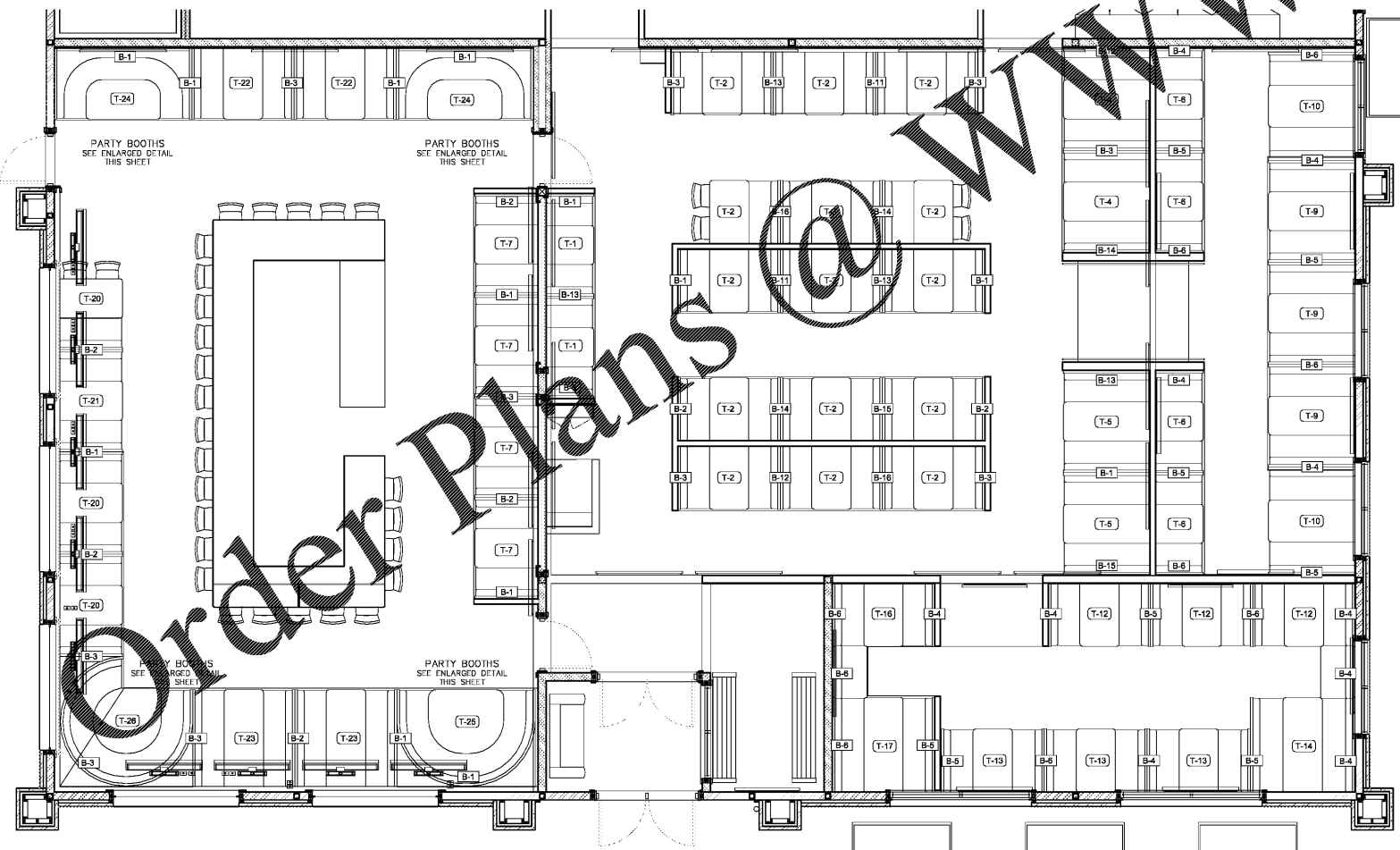
PARTY BOOTH & TABLE DETAIL - T-24
SCALE: 1/4" = 1'-0"



PARTY BOOTH & TABLE DETAIL - T-25
SCALE: 1/4" = 1'-0"



PARTY BOOTH & TABLE DETAIL - T-26
SCALE: 1/4" = 1'-0"



BOOTHING AND TABLE LAYOUT
SCALE: 1/4" = 1'-0"

