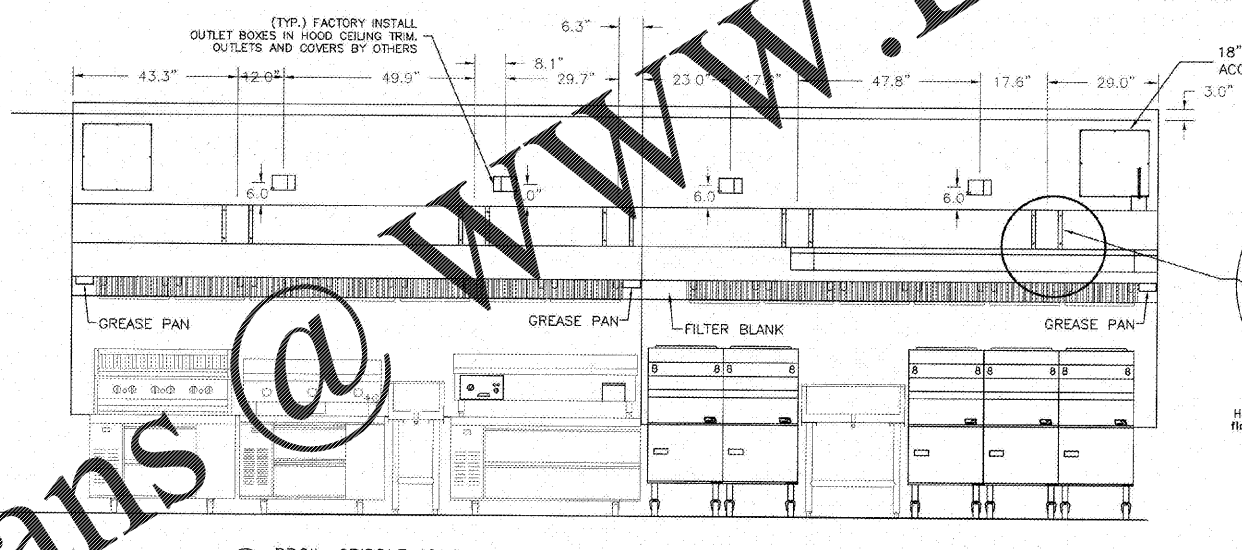
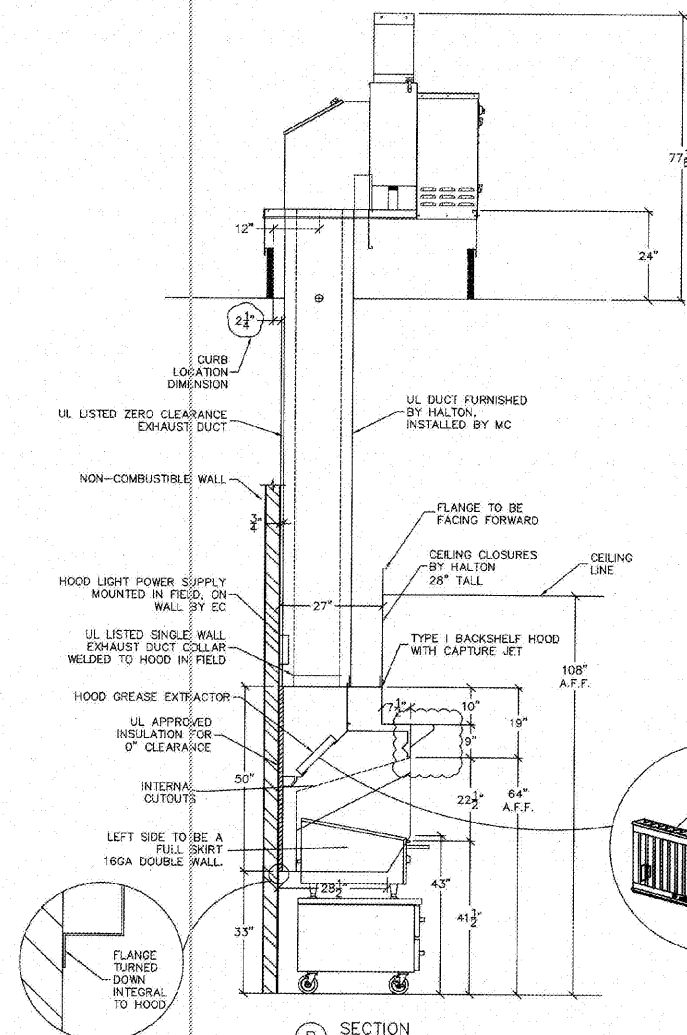
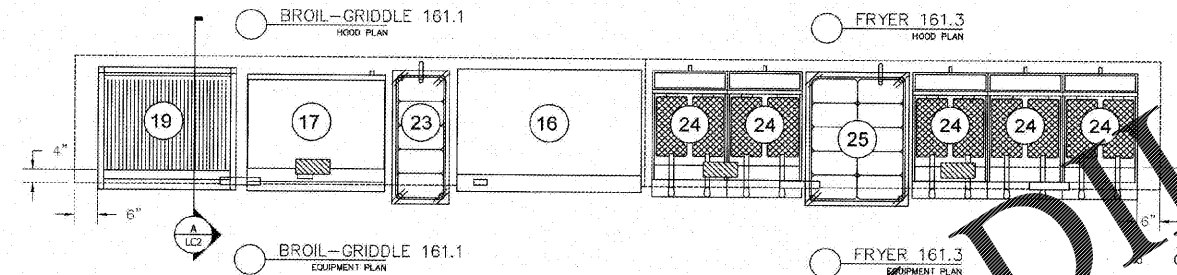
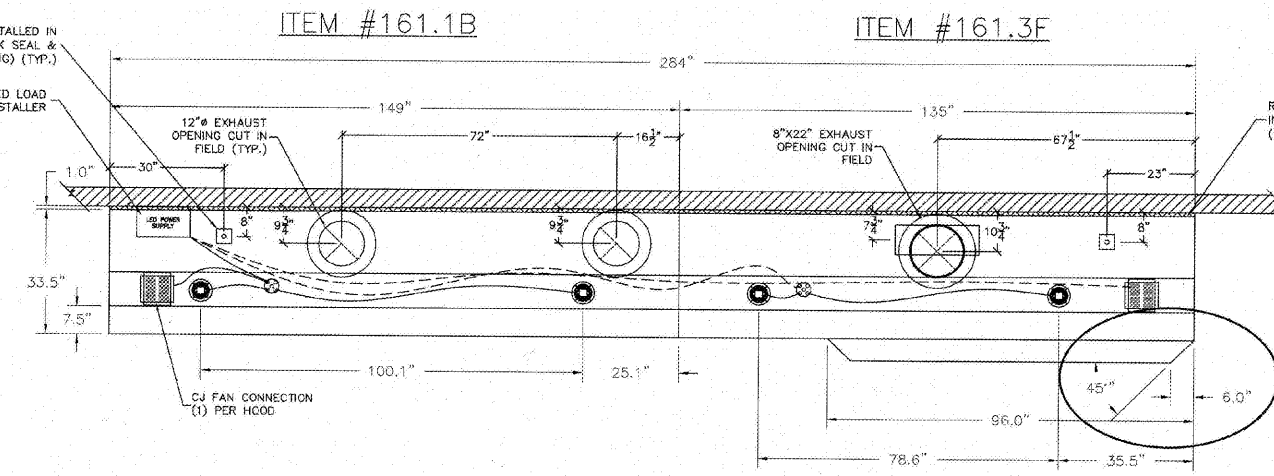


UL LISTED
 UL TYPE I BACKSHELF HOOD WITH CAPTURE JET
 UL LISTED ZERO CLEARANCE EXHAUST DUCT
 UL APPROVED INSULATION FOR 0" CLEARANCE
 UL LISTED SINGLE WALL EXHAUST DUCT COLLAR WELDED TO HOOD IN FIELD
 HOOD LIGHT POWER SUPPLY MOUNTED IN FIELD, ON WALL BY EC
 HOOD GREASE EXTRACTOR
 INTERNAL OUTLETS
 LEFT SIDE TO BE A FULL SKIRT 16GA DOUBLE WALL
 FLANGE TURNED DOWN INTEGRAL TO HOOD
 CEILING CLOSURES BY HALTON 28" TALL
 TYPE I BACKSHELF HOOD WITH CAPTURE JET
 UL DUCT FURNISHED BY HALTON, INSTALLED BY MC
 NON-COMBUSTIBLE WALL
 CURB LOCATION DIMENSION
 150° TEMP SENSOR, INSTALLED IN FACTORY (1/2" Box w/ 1/2" QUICK SEAL & PLUG) (TYP.)
 120/1/60 4.8A CONNECTED LOAD MOUNTED ON WALL BY HOOD INSTALLER
 12" EXHAUST OPENING CUT IN FIELD (TYP.)
 8"X22" EXHAUST OPENING CUT IN FIELD
 REAR STAND-OFF OF HOODS TO BE INSULATED FOR 0" CLEARANCE (TYPICAL FOR BOTH HOOD SECTIONS)
 TO BE WELDED DIRECTLY TO HOOD
 C/F FAN CONNECTION (1) PER HOOD
 150° TEMP SENSOR, INSTALLED IN FACTORY (1/2" Box w/ 1/2" QUICK SEAL & PLUG) (TYP.)
 120/1/60 4.8A CONNECTED LOAD MOUNTED ON WALL BY HOOD INSTALLER
 12" EXHAUST OPENING CUT IN FIELD (TYP.)
 8"X22" EXHAUST OPENING CUT IN FIELD
 REAR STAND-OFF OF HOODS TO BE INSULATED FOR 0" CLEARANCE (TYPICAL FOR BOTH HOOD SECTIONS)
 TO BE WELDED DIRECTLY TO HOOD
 C/F FAN CONNECTION (1) PER HOOD

NOTE
 EXHAUST OPENINGS TO BE FIELD CUT.

NOTE
 FIRE SUPPRESSION AND SERVICES ARE PROVIDED BY
 KOORSEN FIRE & SECURITY



NOTE
 GREASE TROUGHS TO SLOPE TOWARD GREASE CUPS @ 1/8" PER FT.
 ALL FILTER BLANKS/SPACERS TO BE THE WELDED IN PLACE VARIETY.
 LED POWER SUPPLY TO BE MOUNTED ON BACK WALL 6" ABOVE THE HOOD.
 LEAVE EXTRA WIRING TO MOUNT POWER SUPPLY WHERE REQUESTED.
 POWER SUPPLY TO BE WIRED AT HALTON AND SHIPPED NOT FASTENED TO HOOD.
 WIRING FROM LIGHT ON 161.3 SHOULD BE WIRED TO POWER SUPPLY ABOVE HOOD 161.1

ISSUE/REVISION RECORD

DATE	DESCRIPTION
01/29/19	COORDINATION SET
02/20/19	REVISION SUBMITTAL
02/24/19	REVISION RESPONSE
05/03/19	PERMIT/ISSUE SET

Review is for conformance with information given and referenced code and the design concept expressed in the contract documents.
 Conformance with contract documents remains the contractor's and supplier's responsibility.
 Plans are complete
 Plans are in compliance with enforced codes of Authority
 Vaughn R. Hill, P.E. Date Signed: 05/01/19
 N. Carolina Reg. No. 010286 Exp. Date: 12/31/19



DRAWN BY
 W. UNLES



GASTONIA
 NORTH CAROLINA
 EAST FRANKLIN BOULEVARD
 & ARMSTRONG PARK ROAD

PROJECT NUMBER
 20181046.0
 SHEET TITLE
 COOKLINE HOOD
 HOOD SCHEDULE
 U19-070-01
 SHEET NUMBER
 LC1

HOOD		EXHAUST AIRFLOW			EXHAUST COLLARS			ACCESSORIES										TAB PORTS						
HOOD TAG	CONSTRUCTION	TYPE	DEL.	ETL MIN CFM/FT.	DESIGN CFM/FT.	TOTAL EXHAUST	QTY.	SIZE (IN.)	VELOCITY (FPM)	LIGHT FIXTURES		EXTRACTORS	EXTRACTOR SIZE	GREASE DRAIN/PAN	CEILING TRIM			WIREWAY	1/4 SIDE PANELS	WEIGHT (LBS.)	CAPTURE JET FAN	EXHAUST (IN. W.C.)	SUPPLY (IN. W.C.)	
										QTY.	RATING				LEFT	FRONT	BACK	RIGHT	LIGHT	FAN				
160.1	PREP HOOD	I	EH	155	166	1453	1	12" Ø	1851	6	600W	(4) S/S	16" X 20"	(1) PAN	YES	YES	NO	YES	NO	NO	NONE	884	---	---
160.2	PIZZA HOOD	I	EH	155	200	1450	1	12" Ø	1847	6	600W	(4) S/S	16" X 20"	(1) PAN	YES	YES	NO	YES	NO	YES	NONE	732	---	---
161.1	BROIL - GRIDDLE	EXP. 130 S	KVL.2	191	228	2831	2	12" Ø	1803	1	56W	(7) KSA	20" X 13"	(1) PAN	YES	YES	NO	NO	---	---	---	1000	(1)	0.37"
161.2	FRYER	NO. 20 S.S.	I	KVL.2	133	2407	1	8"X22"X14"Ø	2249	1	56W	(6) KSA	20" X 13"	(1) PAN	NO	YES	NO	YES	---	---	---	1783	(1)	0.32"
164	DI	04	II	DW	N/A	N/A	1000	1	10" X 10"	1440	3	300W	---	(1) DRAIN	---	---	---	---	NO	YES	---	300	---	.41
						TOTAL EXHAUST AIRFLOW	9,238																	

APPLIANCE LEGEND

ITEM	DESCRIPTION
16	48" STEAM GRIDDLE
17	36" GAS GRIDDLE
19	36" GAS UNDER-FIRED BROILER
23	COLD WELL
24	20" GAS FRYER
25	COLD WELL