

COPYRIGHT NOTICE
This drawing is the property of the above
mentioned Professional and is not to be used
for any purpose other than the specific
project and site named herein, and cannot
be reproduced in any manner without the
express written permission from the Professional.

ISSUE/REVISION RECORD

DATE	DESCRIPTION
01/29/19	COORDINATION SET
02/20/19	HEALTH SUBMITTAL
04/24/19	HEALTH RESPONSE
05/03/19	PERMIT/BD SET

PROFESSIONAL SEAL

PROFESSIONAL IN CHARGE

R. SMITH

PROJECT MANAGER

A. HANLOW

QUALITY CONTROL

A. HANLOW

DRAWN BY

Y. YANG

PROJECT NAME

BUBBA'S 33

**GASTONIA
NORTH CAROLINA**

3287 E. FRANKLIN BLVD.



PROJECT NUMBER

20181046.0

SHEET TITLE

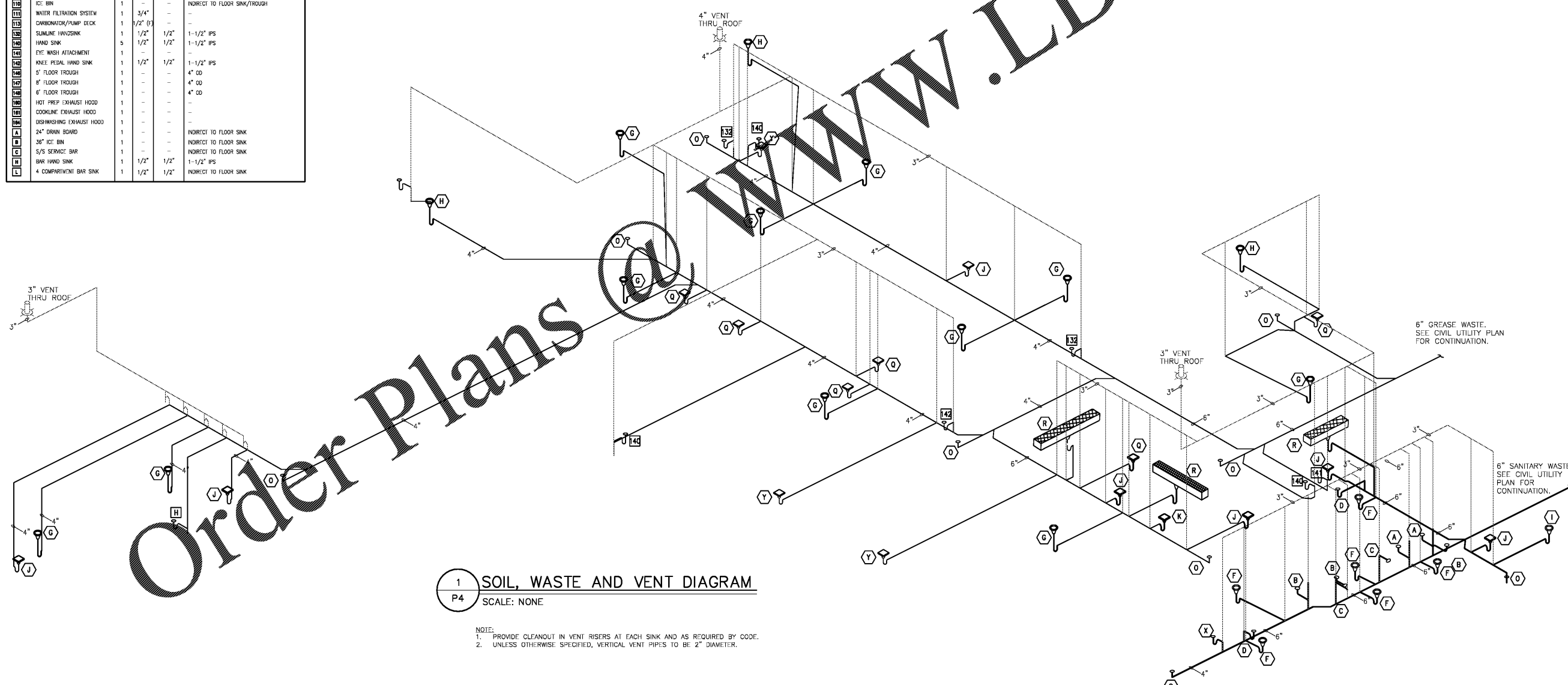
**SOIL WASTE AND
VENT DIAGRAM**

SHEET NUMBER

P4

PLUMBING FIXTURE ROUGH-IN SCHEDULE

MARK	ITEM	QTY.	CONN. SIZE DW	CONN. SIZE TW	WASTE
100	WATER CLOSET	2	1"	-	4" DIRECT
101	WATER CLOSET (HANDICAP)	3	1"	-	4" DIRECT
102	URINAL	2	3/4"	-	4" DIRECT
103	LAUNDRY (ROUGH SINK)	2	1/2"	1/2"	1-1/2" DIRECT
104	MOP BASH DRIN	1	-	-	3" DIRECT
105	FLOOR DRAIN (RESTROOM)	6	-	-	4" DIRECT
106	FLOOR DRAIN (KITCHEN)	10	-	-	4" DIRECT
107	FLOOR DRAIN (FUNNEL)	3	-	-	4" DIRECT
108	FLOOR DRAIN (UTILITY)	1	-	-	4" DIRECT
109	FLOOR SINK (GENERAL)	10	-	-	4" DIRECT
110	FLOOR SINK (DISHWASHER/KITCHEN)	4	-	-	4" DIRECT
111	SERVICE FAUCET	1	1/2"	1/2"	-
112	WALL HYDRANT	2	1/2"	1/2"	-
113	ITEM TO BE FURNISHED BY OWNER OR SUPPLIER	1	-	-	-
114	CLEANOUT	11	-	-	-
115	FLOOR SINK	8	-	-	4" DIRECT
116	FLOOR TROUGH	4	-	-	4" DIRECT
117	THERMOSTATIC MIXING VALVE	14	3/4"	3/4"	-
118	LAUNDRY (WALL MOUNTED)	1	1/2"	1/2"	1-1/2" DIRECT
119	ROOF HYDRANT	1	3/4"	-	-
120	COOLER/FREEZER	5	-	-	1-1/2" INDIRECT TO FLOOR SINK/FLOOR DRAIN
121	S/S PREP SINK	1	1/2"	1/2"	INDIRECT TO FLOOR SINK/FLOOR DRAIN
122	24" GAS GRIDDLE	1	-	-	-
123	CHARBROILER	1	-	-	-
124	DROP IN ICED COLD WELL	1	-	-	INDIRECT TO FLOOR SINK/FLOOR DRAIN
125	18" DEEP FRYER	5	-	-	-
126	CHEF'S/SIFAM TABLE	1	-	-	1-1/2" INDIRECT TO FLOOR SINK
127	DROP IN HOT WELL	1	-	-	1/2" INDIRECT TO FLOOR SINK
128	CONVECTION OVEN	1	-	-	-
129	6 BURNER RANGE	1	-	-	-
130	WATER FILTER ASSEMBLY	1	1/2"	-	-
131	POT FILLER FAUCET	1	-	1/2" (1107)	-
132	PIZZA OVEN	2	-	-	-
133	ICED TEA BREWER	1	1/2" (1)	-	-
134	COFFEE BREWER	1	1/2" (1)	-	-
135	SODA DISPENSER	1	-	-	INDIRECT TO FLOOR SINK
136	BOOSTER HEATER	1	-	3/4"	-
137	DIRTY DISH TABLE	1	-	1/2" (1107)	INDIRECT TO FLOOR SINK
138	PRE-RINSE SPRAY ASSEMBLY	1	1/2"	1/2"	INDIRECT TO FLOOR SINK
139	DISH MACHINE	1	-	3/4" (1807)	INDIRECT TO FLOOR SINK
140	CLEAN DISH RAMP/S COMP SINK	1	1/2"	1/2"	INDIRECT TO FLOOR SINK
141	ICE MACHINE HEAD UNIT	1	1/2" (S)	-	INDIRECT TO FLOOR SINK
142	ICE BIN	1	-	-	INDIRECT TO FLOOR SINK/TROUGH
143	WATER FILTRATION SYSTEM	1	3/4"	-	-
144	CHARBROILER/PUMP DECK	1	1/2" (1)	-	-
145	SUMLINE HANDSINK	1	1/2"	1/2"	1-1/2" IPS
146	HAND SINK	5	1/2"	1/2"	1-1/2" IPS
147	EYE WASH ATTACHMENT	1	-	-	-
148	KNEE PEDAL HAND SINK	1	1/2"	1/2"	1-1/2" IPS
149	5" FLOOR TROUGH	1	-	-	4" OD
150	6" FLOOR TROUGH	1	-	-	4" OD
151	6" FLOOR TROUGH	1	-	-	4" OD
152	HOT PREP EXHAUST HOOD	1	-	-	-
153	COOKLINE EXHAUST HOOD	1	-	-	-
154	DISHWASHING EXHAUST HOOD	1	-	-	-
155	24" DRINK BOARD	1	-	-	INDIRECT TO FLOOR SINK
156	36" ICE BIN	1	-	-	INDIRECT TO FLOOR SINK
157	S/S SERVICE BAR	1	-	-	INDIRECT TO FLOOR SINK
158	BWR HAND SINK	1	1/2"	1/2"	1-1/2" IPS
159	4 COMPARTMENT BAR SINK	1	1/2"	1/2"	INDIRECT TO FLOOR SINK



Order Plans

1 SOIL, WASTE AND VENT DIAGRAM
P4 SCALE: NONE

NOTE:
1. PROVIDE CLEANOUT IN VENT RISERS AT EACH SINK AND AS REQUIRED BY CODE.
2. UNLESS OTHERWISE SPECIFIED, VERTICAL VENT PIPES TO BE 2" DIAMETER.

PROJECT NO: 20181046.0 SHEET NO: P4 DATE: 05/03/19