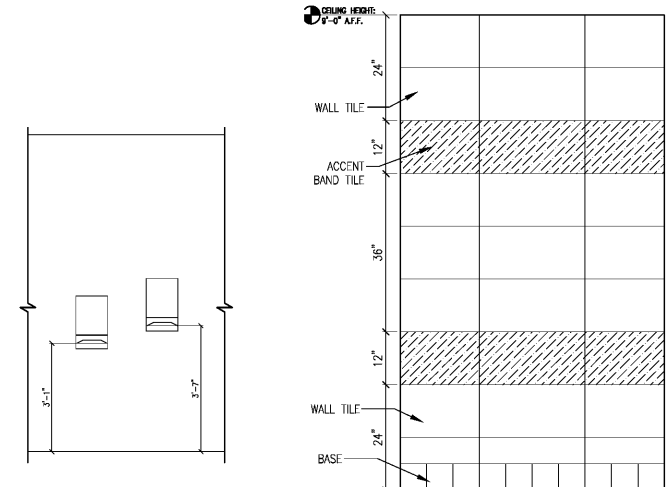


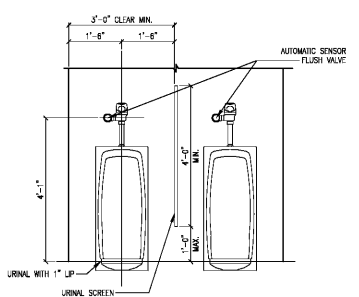
COPYRIGHT NOTICE:
This drawing is the property of the above
mentioned Professional and is not to be used
for any purpose other than the specific
project and site named herein, and cannot
be reproduced in any manner without the
express written permission from the Professional.

ISSUE/REVISION RECORD	
DATE	DESCRIPTION
03/26/19	COORDINATION SET
02/20/19	HEALTH SUBMITTAL
04/24/19	HEALTH RESPONSE
05/03/19	PERMIT/BD SET

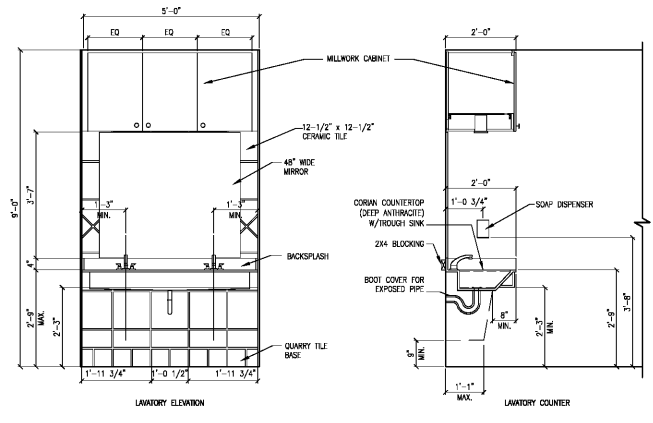


2 TOWEL DISPENSERS
A13 SCALE: 1/2" = 1'-0"

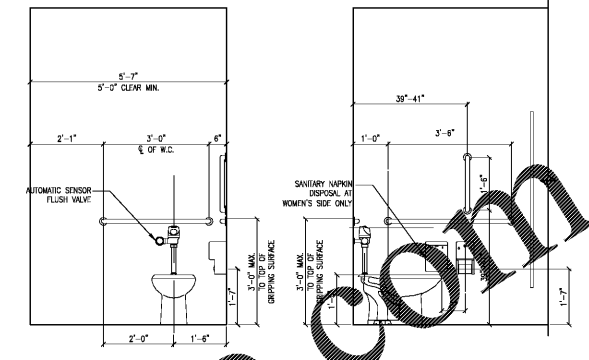
3 WALL TILE PATTERN
A13 SCALE: NONE



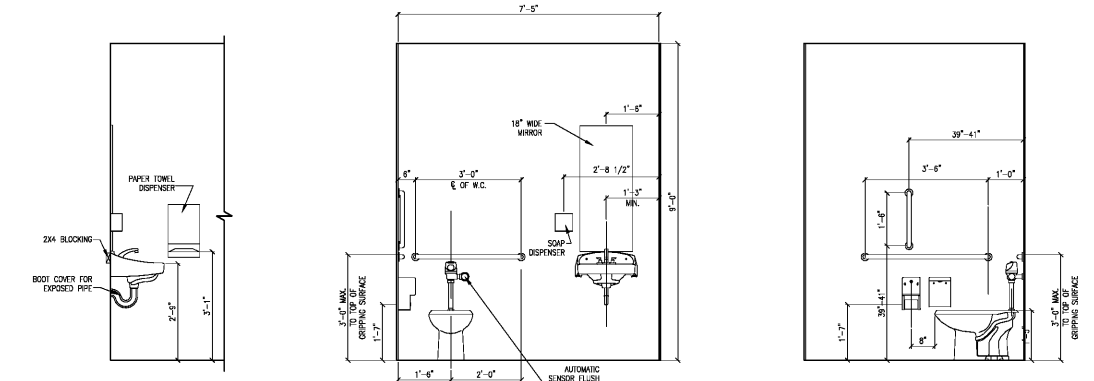
4 ELEVATION AT URINAL
A13 SCALE: 1/2" = 1'-0"



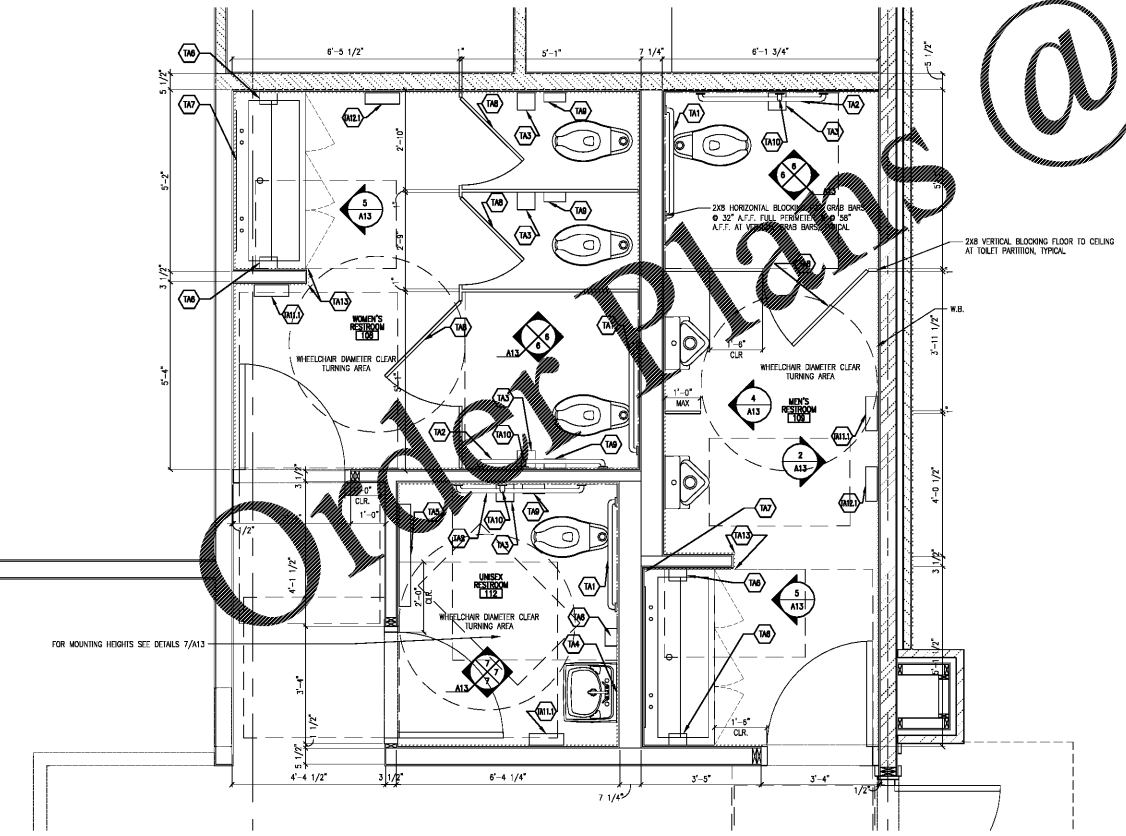
5 ELEVATION/SECTION AT ACCESSIBLE LAVATORIES
A13 SCALE: 1/2" = 1'-0"



6 ELEVATION AT ACCESSIBLE TOILET COMPARTMENT
A13 SCALE: 1/2" = 1'-0"



7 ELEVATION/SECTION AT UNISEX RESTROOM
A13 SCALE: 1/2" = 1'-0"



1 PARTIAL PLAN AT TOILET RMS.
A13 SCALE: 1/2" = 1'-0"

www.LDILine.com

TOILET ACCESSORY SCHEDULE					
1. PROVIDE WOOD BLOCKING FOR ALL ACCESSORIES AND ANCHOR WITH TOGGLE BOLTS OR LAG SCREWS (NO PLASTIC EXPANSION SHEILD PRIMERS).					
2. PROVIDE WALL BUMPER (W.B.) (GENERAL PARTITIONS #250 OR ROCKWOOD #400) AT TOILET STALL DOORS.					
3. ALL TOILET PARTITIONS & URINAL SCREENS SHALL BE BLACK HOPE.					
4. CONTRACTOR TO VERIFY WITH OWNER PRIOR TO PURCHASING ALL ITEMS LISTED AS SUPPLIED/FURNISHED BY OWNER.					
5. ALL TOILET COMPARTMENTS SHALL HAVE SELF CLOSING DOORS. PROVIDE ADA COMPLIANT PULL HARDWARE ON BOTH SIDES OF ACCESSIBLE COMPARTMENT DOOR.					
6. THE VANITY SHALL BE 100% CONCRETE SOLID SURFACE CONSTRUCTION. COLOR SSI.					
ITEM	DESCRIPTION	FURNISHED BY	INSTALLED BY	MOUNTING HT.	
(TA1)	36" GRAB BAR	BOBROCK 1-1/2" DIA. MODEL # B-680A, SERIES 36" LONG	OTHERS	G.C.	3'-0" (TOP OF GRIPPING SURFACE)
(TA2)	42" GRAB BAR	BOBROCK 1-1/2" DIA. MODEL # B-680A, SERIES 42" LONG	OTHERS	G.C.	3'-0" (TOP OF GRIPPING SURFACE)
(TA3)	TOILET TISSUE DISPENSER	BOBROCK MODEL # B-289	OWNER	G.C.	1'-7" (DISPENSING HT.)
(TA4)	MIRROR	1/4" CLEAR PLATE GLASS MIRROR, 3'-7 1/2" X 1'-0"	G.C.	G.C.	3'-1" (8/10 MIRROR)
(TA5)	BODY CHANGING STATION	KOALA MART # K2-200	OWNER	G.C.	30"-34" (1/2 TABLE) MAX 48" (PULL HANDLE)
(TA6)	SOAP DISPENSER	SUPPLIED BY OWNER	OWNER	G.C.	44" (DISPENSING HT.)
(TA7)	MIRROR	1/4" CLEAR PLATE GLASS MIRROR, 3'-7 1/2" X 4'-0"	G.C.	G.C.	MAX 40" (8/10 MIRROR)
(TA8)	COAT HOOK	IVES INVADER® HOOK MODEL # 941, STAIN COATED ALUM. 1-1/8" H. X 1-1/8" W. PROJECTION 1-1/8" (OR APPROVED EQUAL)	OTHERS	G.C.	MAX 48"
(TA9)	SANITARY NAPKIN DISPOSAL	BOBROCK MODEL # B-270	OTHERS	G.C.	ADJACENT TO TOILET TISSUE DISPENSER
(A10)	18" GRAB BAR	BOBROCK 1-1/2" DIA. MODEL # B-680A, SERIES 18" LONG	OTHERS	G.C.	39"-41" (8/10 BAR)
(A11)	NOT USED				
(A12)	PAPER TOWEL DISPENSER	TORK ELEVATION EXPRESS, MODEL #802228 - BLACK	OWNER	G.C.	37" (CONTROLS AND DISPENSING SLOT)
(A13)	NOT USED				
(A14)	PAPER TOWEL DISPENSER	TORK ELEVATION EXPRESS, MODEL #802228 - BLACK	OWNER	G.C.	43" (CONTROLS AND DISPENSING SLOT)
(A15)	EDGE PROTECTOR	SCHLITZER - MONOC EDGE PROTECTOR W/BUSHED STAINLESS STEEL FINISH	G.C.	G.C.	

PROFESSIONAL SEAL

PROFESSIONAL IN CHARGE
S. KOUGAS
PROJECT MANAGER
E. ARELLANO
QUALITY CONTROL
S. KOUGAS
DRAWN BY
E. ARELLANO

PROJECT NAME
BUBBA'S 33

GASTONIA
NORTH CAROLINA
3287 E. FRANKLIN BLVD.



PROJECT NUMBER
20181046.0

SHEET TITLE
TOILET PLANS & DETAILS

SHEET NUMBER
A13