

COPYRIGHT NOTICE:
This drawing is the property of the above
mentioned Professional and it is not to be used
for any purpose other than the specific
project and site named herein, and cannot
be reproduced in any manner without the
express written permission from the Professional.

ISSUE/REVISION RECORD	
DATE	DESCRIPTION
07/26/19	COORDINATION SET
02/20/19	HEALTH SUBMITTAL
04/24/19	HEALTH RESPONSE
05/03/19	PERMIT/BD SET

CEILING LEGEND	
SYMBOL	DESCRIPTION
	2'x4' SUBPENDED VINYL COATED OYSPAN BOARD CEILING WITH ALUMINUM CLAD GRID (IN KITCHEN AREA).
	NOT USED
	COATED METAL CEILING (ON LOBBY/PASSAGE AREAS).
	CEDAR PLANK CEILING (DINING & BAR AREAS). PAINT PLYWOOD BACK FROM TO INSTALLATION OF CEDAR PLANKS.
	MOISTURE RESISTANT OYSPAN BOARD (WOMEN'S, MEN'S & UNISEX RESTROOMS).
	SINGLE FLUORESCENT LIGHTING FIXTURE APPROXIMATELY TO SCALE. DESIGNATION REFERS TO FIXTURE TYPE IN FIXTURE SCHEDULE.
	SINGLE FLUORESCENT LIGHTING FIXTURE APPROXIMATELY TO SCALE. DESIGNATION REFERS TO FIXTURE TYPE IN FIXTURE SCHEDULE.
	LED DOWN LIGHT WITH WOOD BLOOMING. DESIGNATION REFERS TO FIXTURE TYPE IN FIXTURE SCHEDULE.
	LED DOWN LIGHT WITH WOOD BLOOMING. DESIGNATION REFERS TO FIXTURE TYPE IN FIXTURE SCHEDULE.
	27", 4 FT. & 8 FT. TRACK LIGHT. DESIGNATION REFERS TO FIXTURE TYPE IN FIXTURE SCHEDULE.
	LED STAGE LIGHT (LETTERS REPRESENT COLORS: RED, YELLOW, BLUE, GREEN). DESIGNATION REFERS TO FIXTURE TYPE IN FIXTURE SCHEDULE.
	MICRO CUBE STAGE LIGHT. DESIGNATION REFERS TO FIXTURE TYPE IN FIXTURE SCHEDULE.
	CEILING FAN. DESIGNATION REFERS TO FIXTURE TYPE IN FIXTURE SCHEDULE.
	EXIT LIGHTS. DESIGNATION REFERS TO FIXTURE TYPE IN FIXTURE SCHEDULE.
	EMERGENCY LIGHTING UNIT. DESIGNATION REFERS TO FIXTURE TYPE IN FIXTURE SCHEDULE.
	REMOTE EMERGENCY LIGHT FIXTURE. DESIGNATION REFERS TO FIXTURE TYPE IN FIXTURE SCHEDULE.
	SINGLE FLUORESCENT LIGHTING FIXTURE APPROXIMATELY TO SCALE. DESIGNATION REFERS TO FIXTURE TYPE IN FIXTURE SCHEDULE.
	DIMMABLE WOOD LIGHT. DESIGNATION REFERS TO FIXTURE TYPE IN FIXTURE SCHEDULE.
	UNDERCOUNTER LIGHT. DESIGNATION REFERS TO FIXTURE TYPE IN FIXTURE SCHEDULE.
	RAMP LIGHT. DESIGNATION REFERS TO FIXTURE TYPE IN FIXTURE SCHEDULE.
	MONO-POINT LIGHT. DESIGNATION REFERS TO FIXTURE TYPE IN FIXTURE SCHEDULE.
	FAN FORCED ELECTRIC HEATER
	DIFFUSERS - SEE REFLECTED CEILING PLAN NOTE #3
	EXTERIOR CYLINDER UP-LIGHT. DESIGNATION REFERS TO FIXTURE TYPE IN FIXTURE SCHEDULE.
	EXTERIOR AWNING LED DOWN LIGHT. DESIGNATION REFERS TO FIXTURE TYPE IN FIXTURE SCHEDULE.
	EXTERIOR WALL PACK. DESIGNATION REFERS TO FIXTURE TYPE IN FIXTURE SCHEDULE.
	EXTERIOR RECESSED LIGHT WITH WOOD BLOCKING. DESIGNATION REFERS TO FIXTURE TYPE IN FIXTURE SCHEDULE.
	EXTERIOR COSCAN LIGHT. DESIGNATION REFERS TO FIXTURE TYPE IN FIXTURE SCHEDULE.
	NOT USED

PROFESSIONAL SEAL

PROFESSIONAL IN CHARGE
S. KOUGAS
PROJECT MANAGER
E. ARELLANO
QUALITY CONTROL
S. KOUGAS
DRAWN BY
E. ARELLANO

PROJECT NAME
BUBBA'S 33

GASTONIA
NORTH CAROLINA

3287 E. FRANKLIN BLVD.

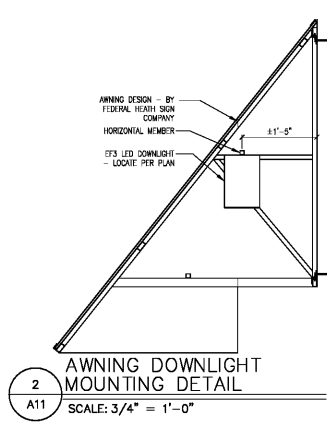
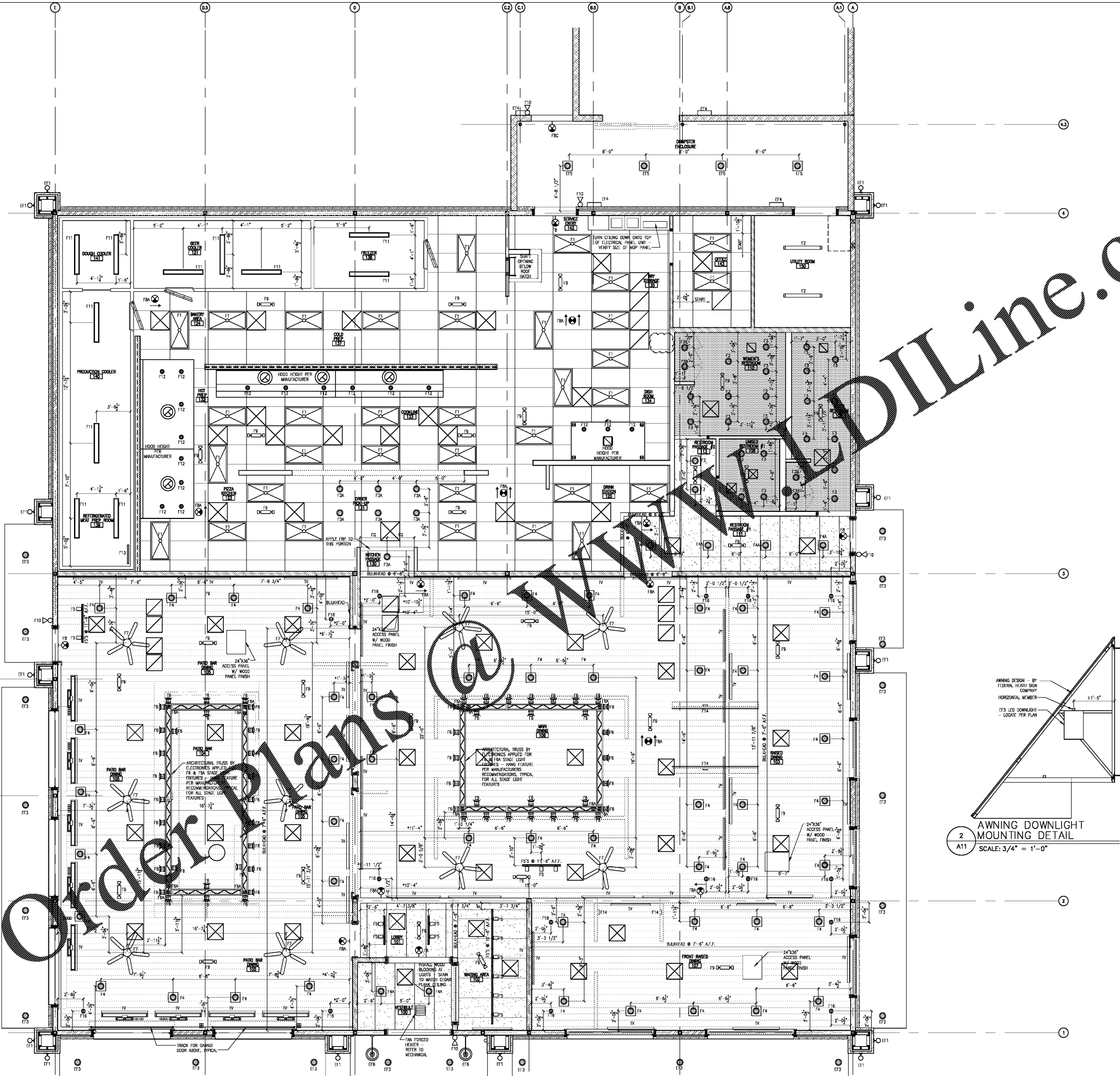


PROJECT NUMBER
20181046.0

SHEET TITLE

REFLECTED CEILING PLAN

SHEET NUMBER
A11



1 REFLECTED CEILING PLAN
A11 SCALE: 1/4" = 1'-0"



REFLECTED CEILING PLAN NOTES

1. SHOULD DISCREPANCIES OCCUR BETWEEN THIS PLAN & THE ELECTRICAL LIGHTING PLAN, THE ELECTRICAL PLAN SHALL TAKE PRECEDENCE.
2. REFER TO SHEET E5 FOR LIGHT FIXTURE SCHEDULE.
3. REFER TO SHEET E2 FOR WIRING OF ALL LIGHT FIXTURES.
4. WALK IN BOX LIGHTS SUPPLIED BY EQUIPMENT SUPPLIER - MOUNTED & INSTALLED BY ELECTRICAL CONTRACTOR.
5. MECHANICAL LAYOUT SHOWN FOR COORDINATION ONLY. SEE M1 FOR MECHANICAL LAYOUT. SHOULD DISCREPANCIES OCCUR BETWEEN THIS PLAN AND THE MECHANICAL FLOOR PLAN, THE MECHANICAL PLAN SHALL TAKE PRECEDENCE.
6. REFER TO SHEET A2 FOR E72 LOCATIONS.
7. ALL DIFFUSERS TO MATCH ADJACENT MATERIAL COLOR.
8. DENOTATION OF A * AT THE BEGINNING OF A DIMENSION STRING IS MEASURED FROM THE FACE OF THE SHEATHING.
9. NOT USED