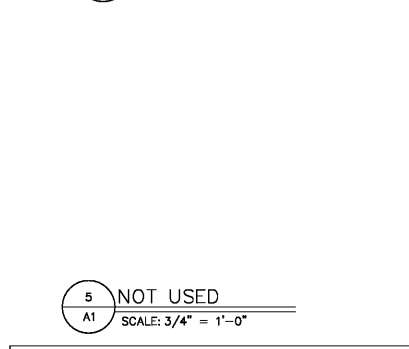
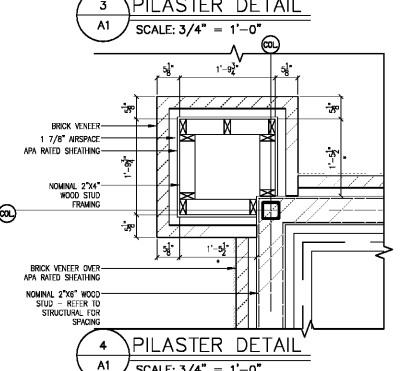
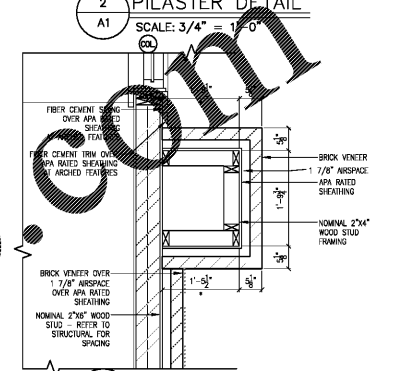
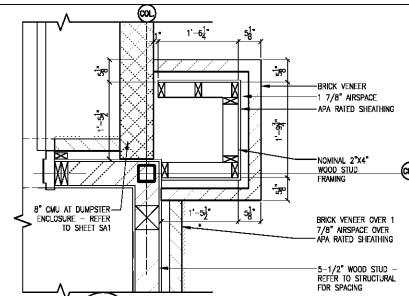
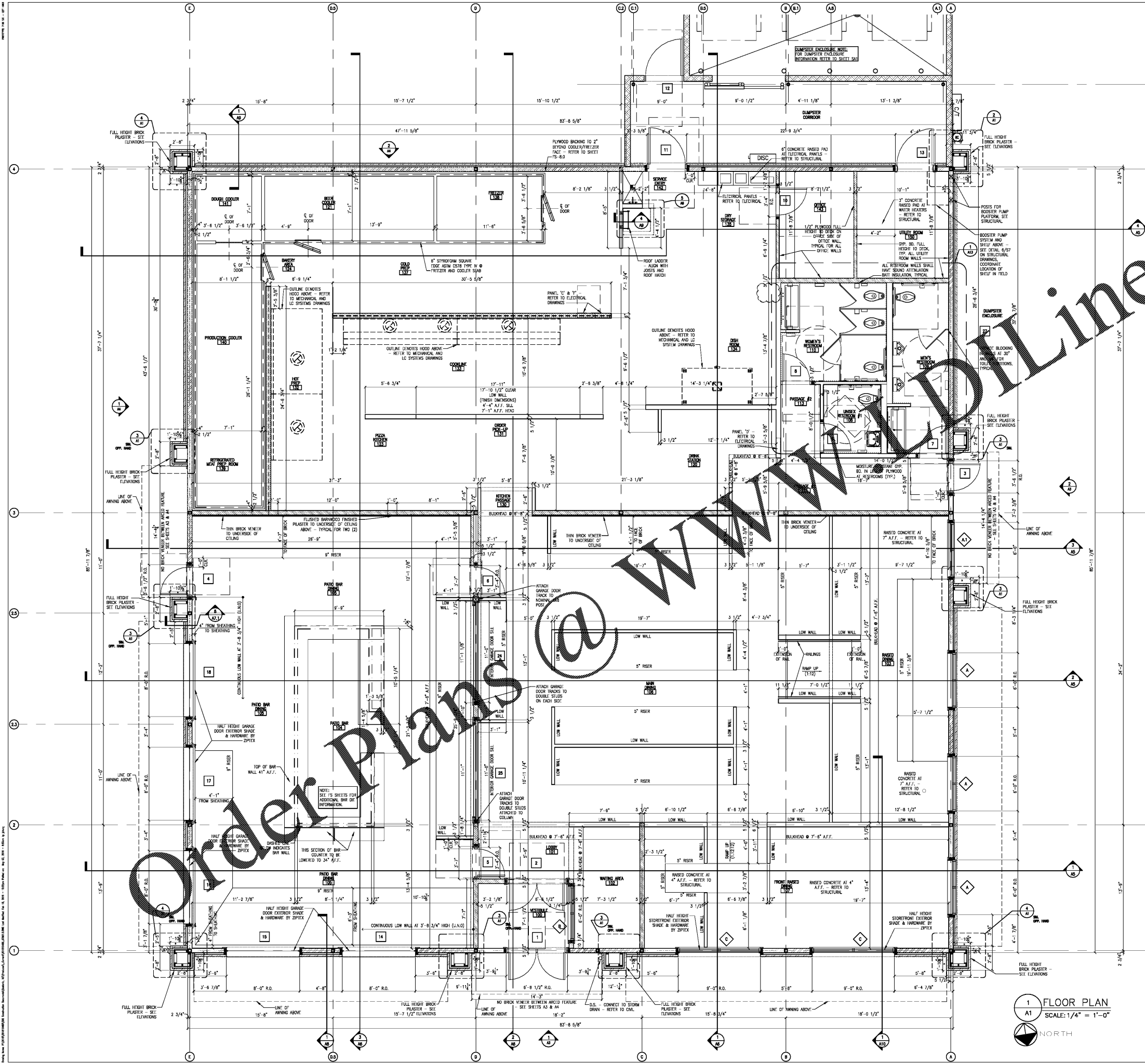


ISSUE/REVISION RECORD

| DATE | DESCRIPTION |
|----------|------------------|
| 01/26/19 | COORDINATION SET |
| 02/20/19 | HEALTH SUBMITTAL |
| 04/24/19 | HEALTH RESPONSE |
| 05/03/19 | PERMIT/BD SET |



BRICK VENEER NOTE (CRITICAL):

- OUTLET SIZES (2 3/4" HIGH x 2 3/4" DEEP x 7 5/8" LONG)
- ALL HORIZONTAL MORTAR JOINTS TO BE 1/2"
- ALL VERTICAL MORTAR JOINTS TO BE 3/8"

LEGEND

| WALL TYPE | DESCRIPTION |
|-----------|---|
| [Symbol] | APA RATED 7/8" AIRSPACE OVER NOMINAL 2"x4" WOOD STUDS WITH 9-21 WALL CAVITY BATT INSULATION OVER PLYWOOD SHEATHING WITH BRICK VENEER AND BROOK ROULOCK - REFER TO STRUCTURAL FOR STUD SPACING |
| [Symbol] | 3-1/2" METAL STUD WITH 1/2" CEMENT BOARD ON HOOD BOX AND PLYWOOD SHEATHING ON OPPOSITE SIDE - STUDS @ 16" O.C. |
| [Symbol] | WOOD STUD PARTITION TO UNDERSIDE OF DECK OR BEAM - STUDS AT 16" O.C. |
| [Symbol] | NOMINAL 2"x4" & 2"x6" WOOD STUD LOW WALL AS NOTED ON PLANS 52" ABOVE FLOOR FINISH (30 1/2" ROUGH DIMENSION) - STUDS AT 16" O.C. |
| [Symbol] | WOOD STUD PARTITION TO 6" ABOVE CEILING - STUDS AT 16" O.C. |
| [Symbol] | WINDOW TYPES - REFER TO WINDOW DETAILS, SHEET A10 |
| [Symbol] | DOOR TYPES - REFER TO DOOR DETAILS, SHEET A12 |

FLOOR PLAN GENERAL NOTES

- ALL INTERIOR & EXTERIOR DIMENSIONS ARE FROM FACE OF STUD TO FACE OF STUD UNLESS OTHERWISE NOTED. DIMENSIONS WITH A * UNDER DIMENSION STRING ARE FROM FACE OF FINISH TO FINISH TO SHEATHING.
- ALL INTERIOR FINISHES TO HAVE CLASS B FLAME SPREAD OR BETTER.
- SEE ROOM FINISH SCHEDULE FOR WALLS TO RECEIVE MOISTURE RESISTANT GYPSUM BOARD & SPECIFIC FINISH DESIGNATIONS.
- ALL JOINTS, GAPS, & SPACES LEADING TO HOLLOW OR INACCESSIBLE SPACES ARE TO BE SEALED WITH NSF APPROVED SEALANTS.
- G.C. TO INSTALL WOOD BLOCKING IN WALL FOR THE HANGING OF WALL SHELVES. REFER TO FUTURE SHEETS & EQUIPMENT SHEETS FOR LOCATION OF WALL SHELVES.
- ALL JOINTS, GAPS AND SPACES TO BE CAULKED.

PROFESSIONAL SEAL

PROFESSIONAL IN CHARGE
S. KOUGAS
PROJECT MANAGER
E. ARELLANO
QUALITY CONTROL
S. KOUGAS
DRAWN BY
E. ARELLANO

PROJECT NAME
BUBBA'S 33

GASTONIA
NORTH CAROLINA

3287 E. FRANKLIN BLVD.



PROJECT NUMBER
20181046.0

SHEET TITLE

FLOOR PLAN

SHEET NUMBER

A1