

DUMPSTER ENCLOSURE NOTES

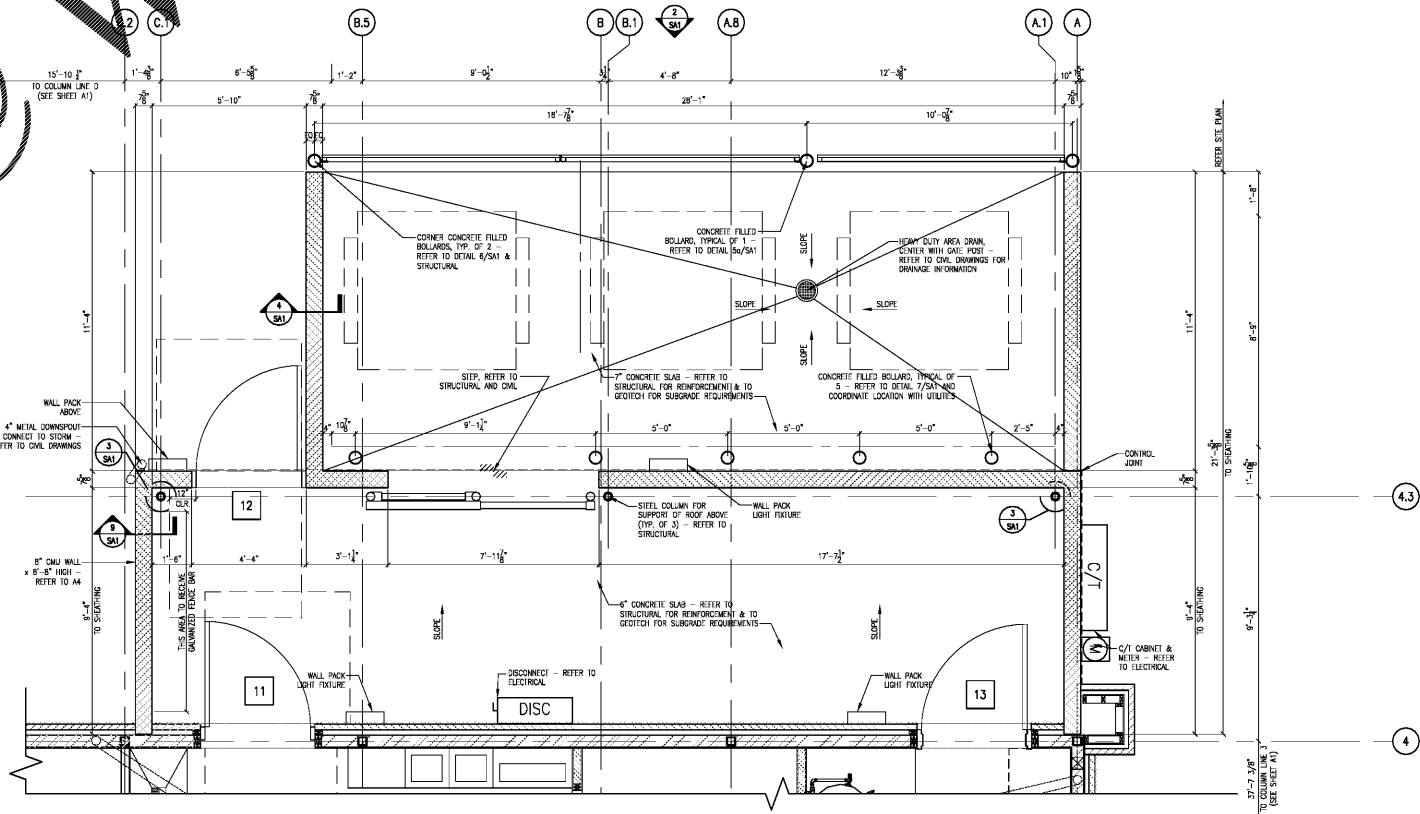
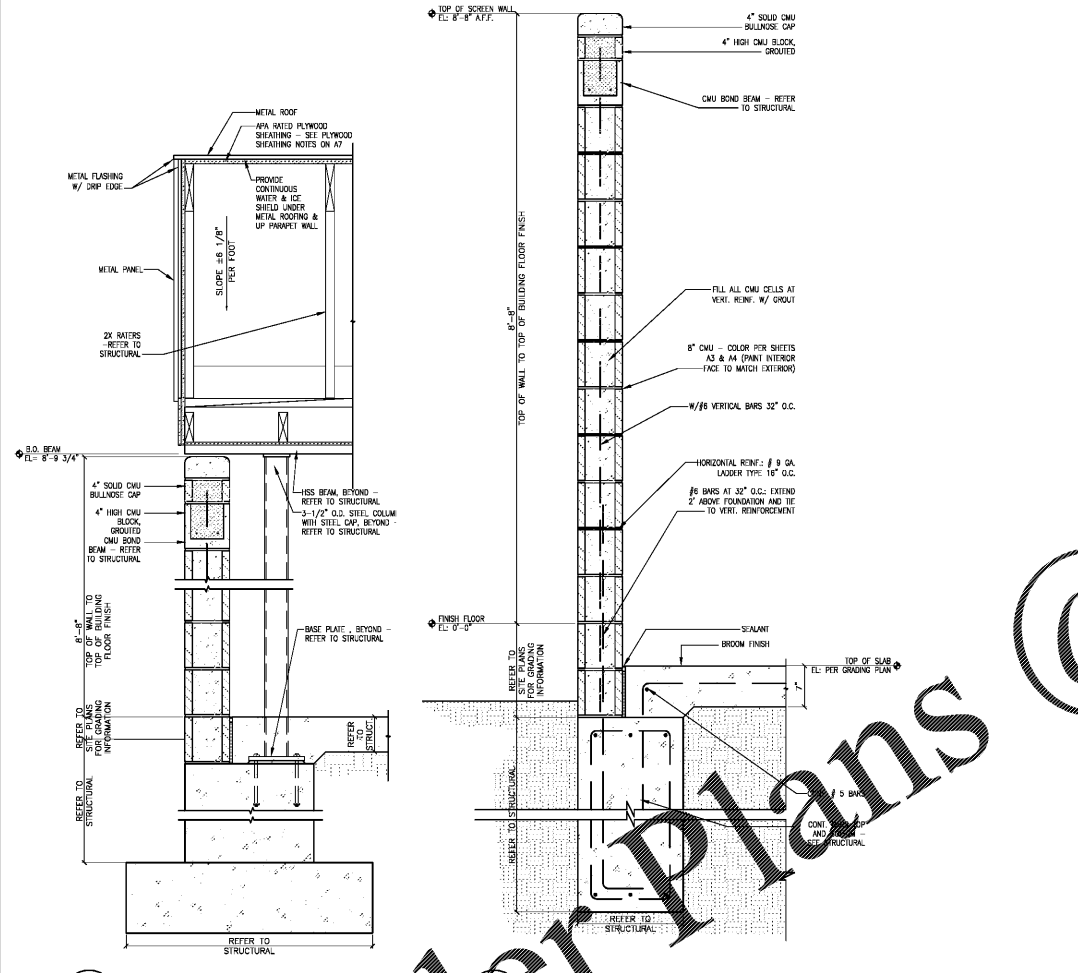
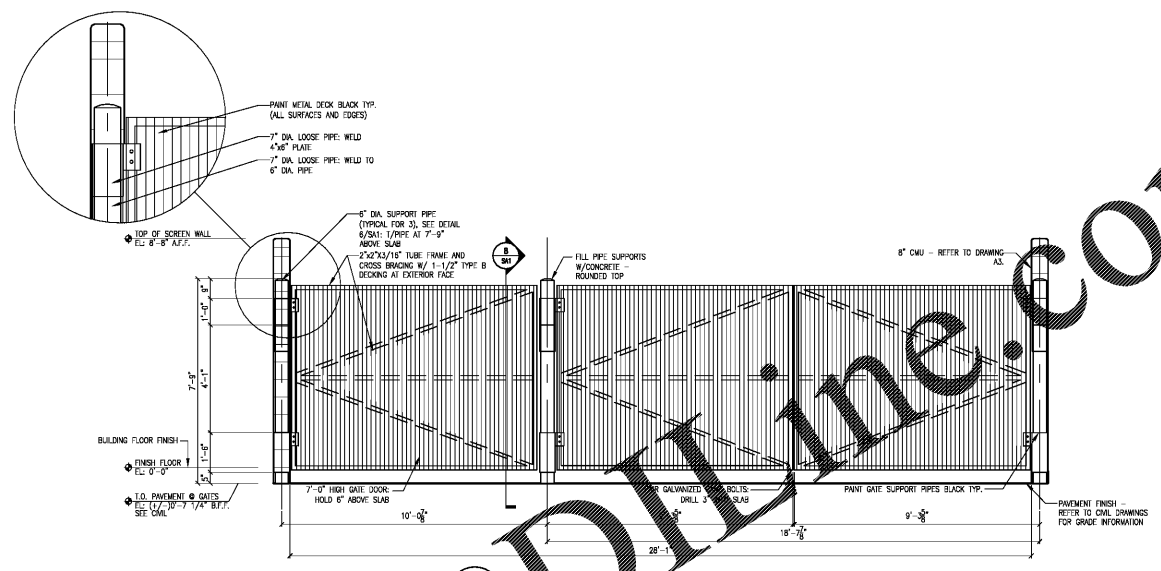
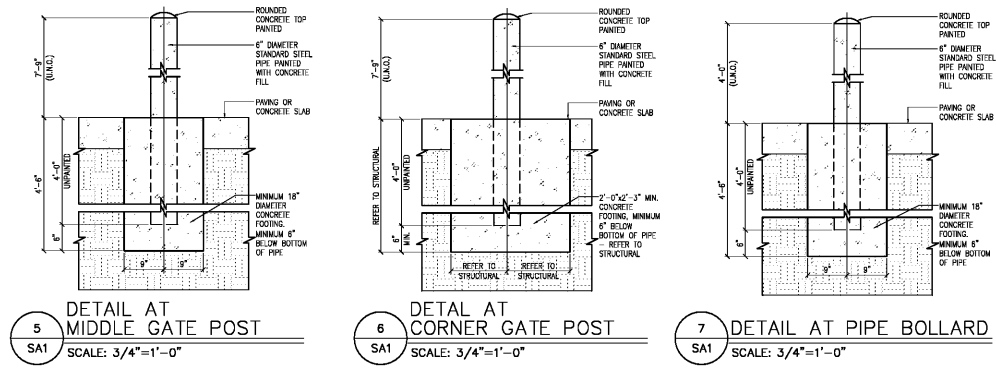
- CONCRETE SLAB AT DUMPSTER, APRON & SIDWALK TO BE INTEGRAL. COLOR: BLACK FINISH. DAVIS COLOR: 8084 GRAPHITE. 13#/YARD.
- CONTRACTOR SHALL VERIFY SIZE OF DUMPSTER WITH LOCAL WASTE HAULER AND ADJUST ENCLOSURE SIZE AS REQUIRED.

DAVIS COLORS
3700 EAST OLYMPIC BOULEVARD
LOS ANGELES, CA 90023
800.358.4848

DATE	DESCRIPTION
07/28/19	COORDINATION SET
02/20/19	HEALTH SUBMITAL
04/24/19	HEALTH RESPONSE
05/03/19	PERMIT/BD SET

GreenbergFarrow
21 S. Evergreen Ave. Suite 200
Arlington Heights, Illinois 60005
t: 847.788.9200 f: 847.788.9536

COPYRIGHT NOTICE: This drawing is the property of the above referenced Professional and it is not to be used for any purpose other than the specific project and site named herein, and cannot be reproduced in any manner without the express written permission from the Professional.



Order Plans @

WWW.LDLINE.COM

PROFESSIONAL SEAL

PROFESSIONAL IN CHARGE
S. KOUGAS
PROJECT MANAGER
E. ARELLANO
QUALITY CONTROL
S. KOUGAS
DRAWN BY
E. ARELLANO

PROJECT NAME
BUBBA'S 33

GASTONIA NORTH CAROLINA

3287 E. FRANKLIN BLVD.



PROJECT NUMBER
20181046.0

SHEET TITLE
DUMPSTER ENCLOSURE PLAN & DETAILS

SHEET NUMBER
SA1