

COPYRIGHT NOTICE:
This drawing is the property of the above
mentioned Professional and is not to be used
for any purpose other than the specific
project and site named herein, and cannot
be reproduced in any manner without the
express written permission from the Professional.

ISSUE/REVISION RECORD

| DATE | DESCRIPTION |
|----------|------------------|
| 05/29/19 | COORDINATION SET |
| 02/20/19 | HEALTH SUBMITTAL |
| 04/24/19 | HEALTH RESPONSE |
| 05/03/19 | PERMIT/BD SET |

PROFESSIONAL SEAL

PROFESSIONAL IN CHARGE
B. BORNHORST
PROJECT MANAGER
M. HWS
QUALITY CONTROL
M. HWS
DRAWN BY
C. YLA

PROJECT NAME
BUBBA'S 33

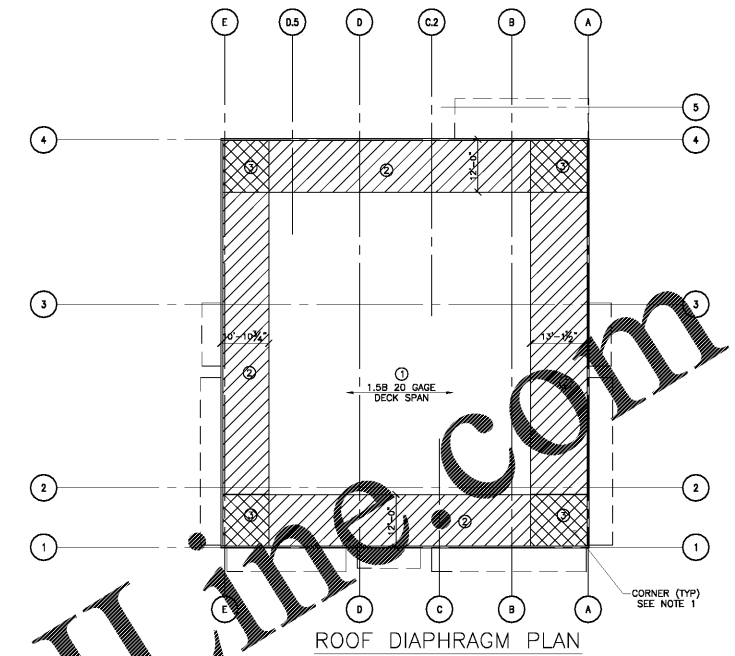
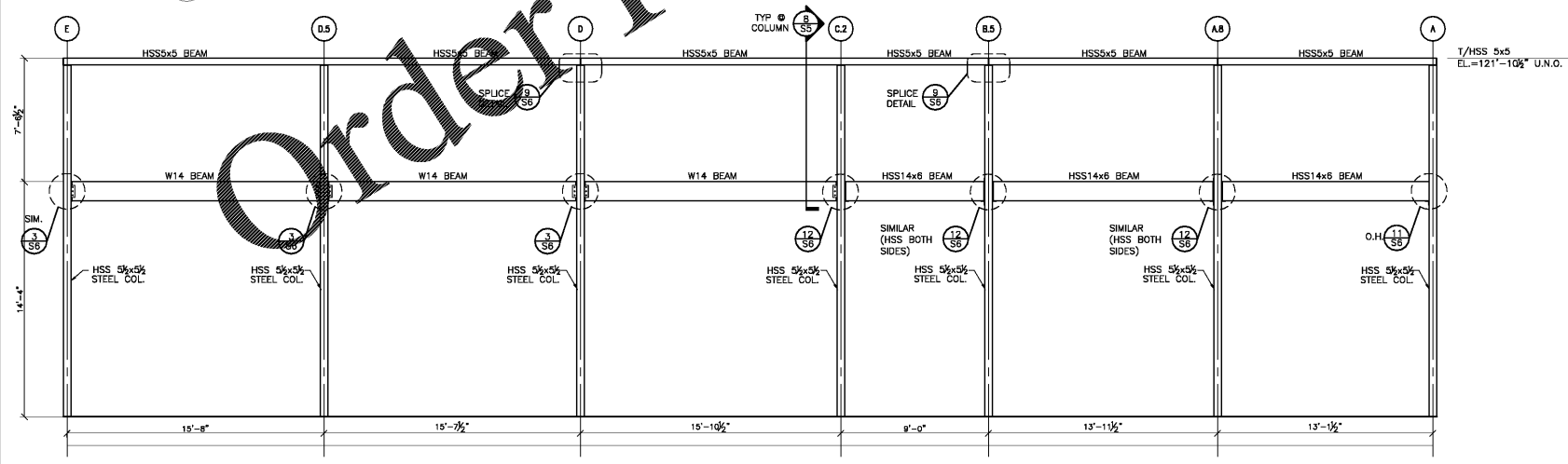
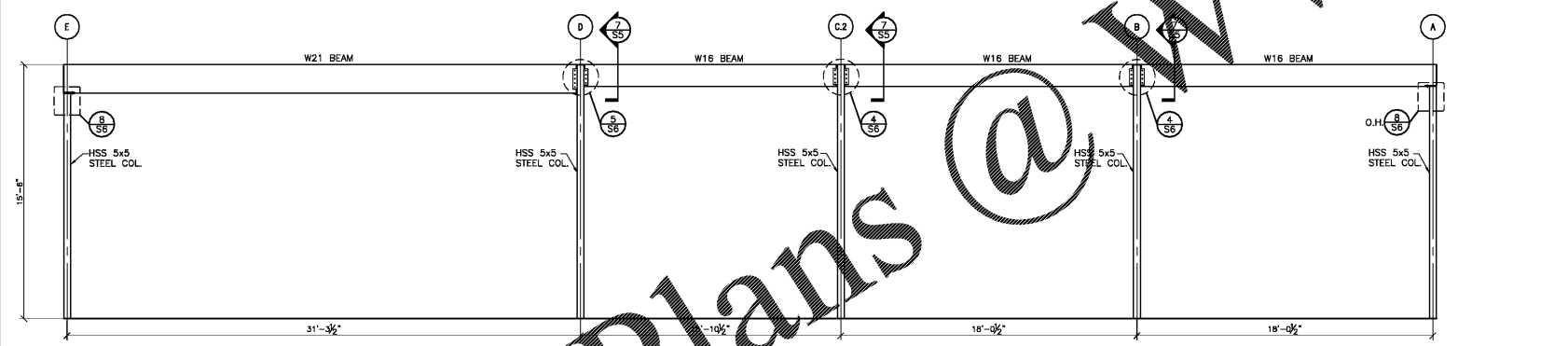
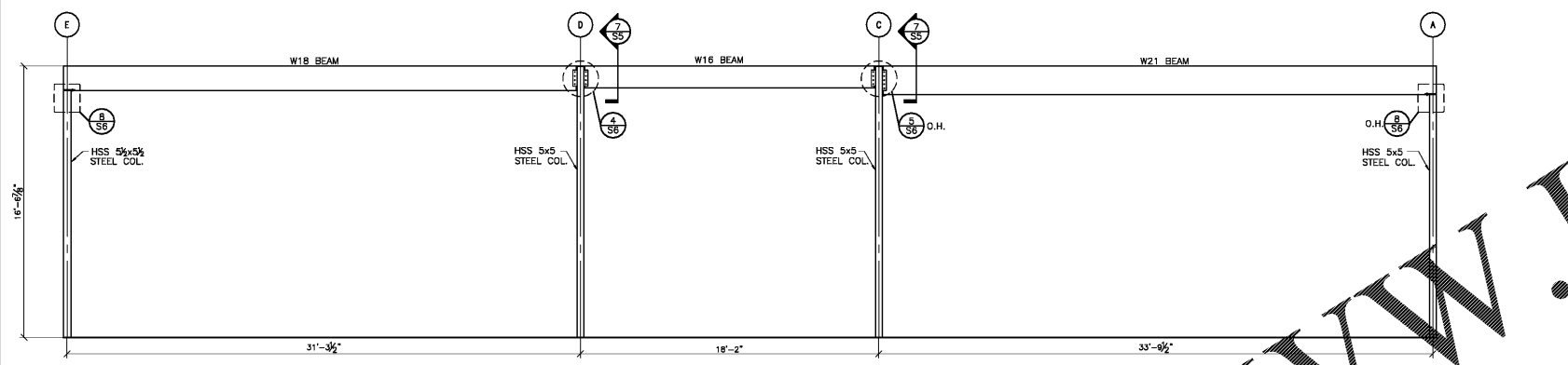
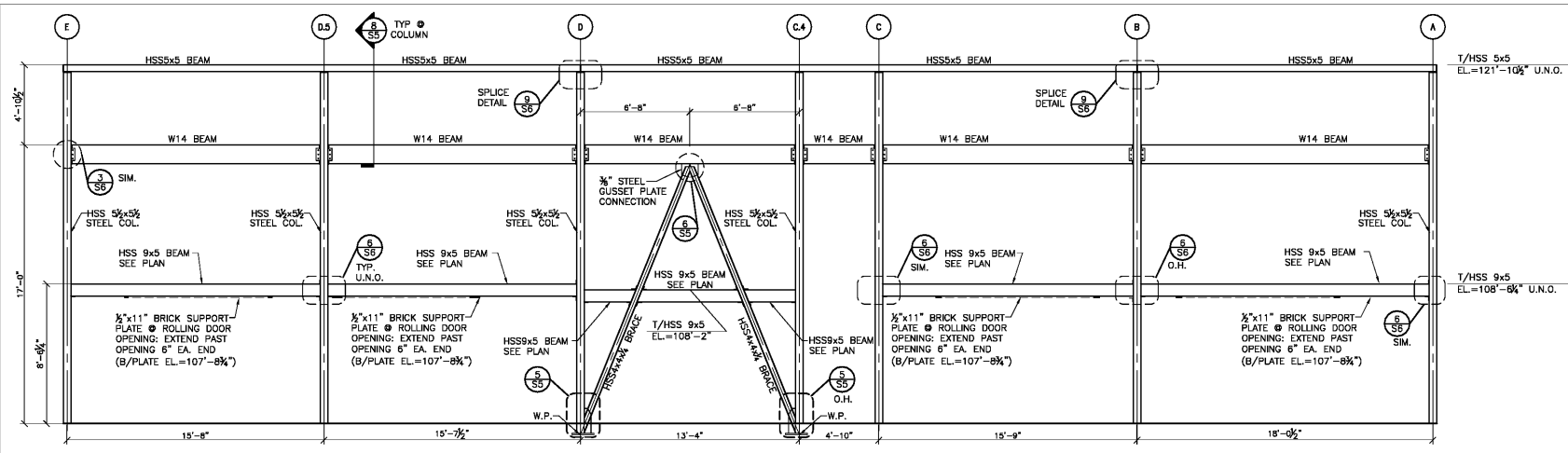
GASTONIA
NORTH CAROLINA
3287 E. FRANKLIN BLVD



PROJECT NUMBER
20181046.0

SHEET TITLE
ROOF FRAMING DETAILS

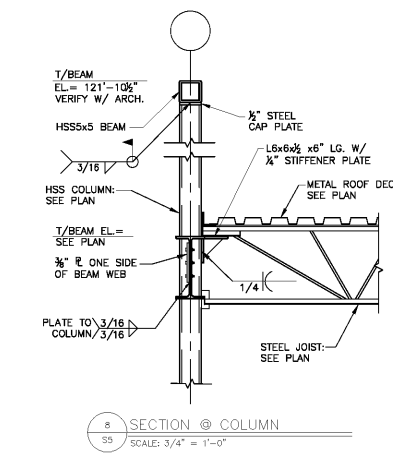
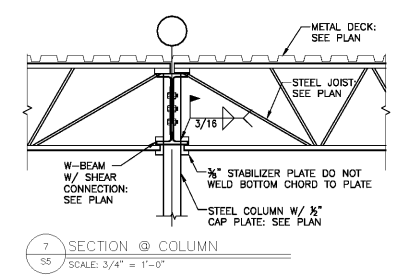
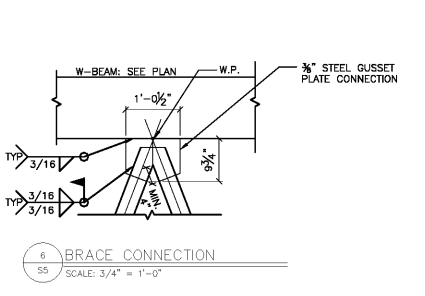
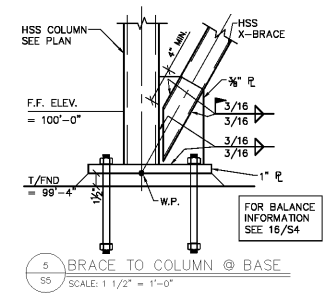
SHEET NUMBER
S5



ROOF DIAPHRAGM SCHEDULE

| ZONE | NO/CONNECTORS TO STEEL SUPPORT PER 36" WIDE DECK | NO/SIDLAP SCREWS BETWEEN STEEL SUPPORTS |
|------|--|---|
| 1 | 4 | 2 |
| 2 | 7 | 4 |
| 3 | 7 | 7 |

- NOTES:**
- ALL CORNERS CROSS MATCHED IN THE ROOF DIAPHRAGM PLAN SHALL BE CONNECTED TO THE STEEL SUPPORT WITH - 2 CONNECTORS @ 6" o.c. (ONE CONNECTOR @ EACH ANGLE OF THE STEEL JOIST TOP CHORD).
 - THE CONTRACTOR SHALL PROPERLY INSTALL SIDE LAP SCREWS PER MANUFACTURER'S SPECIFICATIONS SO THE SCREWS DEVELOP SHEAR AS LISTED IN STEEL DECK INSTITUTE DESIGN MANUAL, SECOND EDITION.
 - AT LEDGER AT THE PERIMETER OF BLDG SHALL BE CONNECTED @ 6" O.C.
 - SEE GENERAL NOTES FOR CONNECTORS SIZE.



Order Plans @ www.LDILine.com