

Table with 2 columns: DATE, DESCRIPTION. Includes entries for 03/06/19 COORDINATION SET and 06/03/19 BID SET.

Empty table for additional issue/revisions.

PROFESSIONAL SEAL

LICENSE NO.: 402019570

PROFESSIONAL IN CHARGE JOHN NOURZAD PROJECT MANAGER ANDRE PIMENTEL QUALITY CONTROL ANDRE PIMENTEL DRAWN BY KYLE PITZ

PROJECT NAME

BUBBA'S 33

GASTONIA NORTH CAROLINA

3287 E. FRANKLIN BLVD



PROJECT NUMBER 20181046.0

SHEET TITLE

IRRIGATION NOTES AND DETAILS

SHEET NUMBER

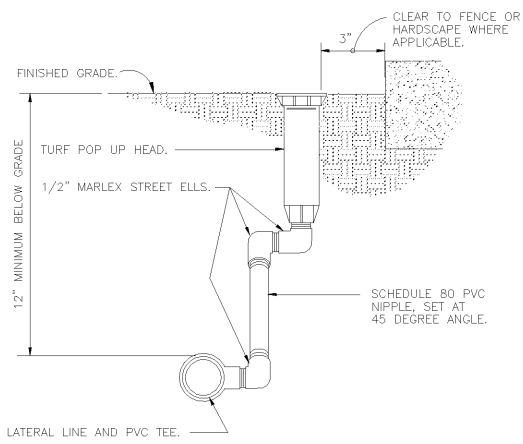
L2.0

NOT ISSUED FOR CONSTRUCTION

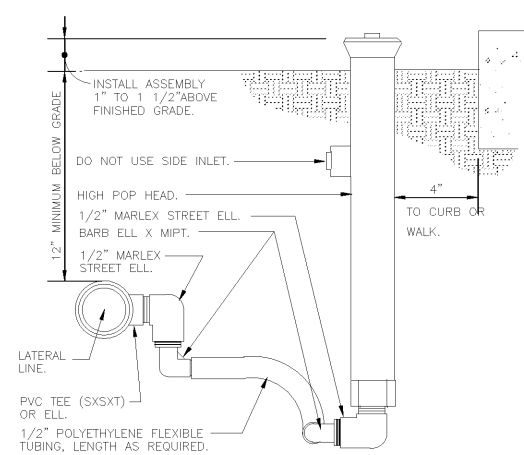
NOTES

IRRIGATION

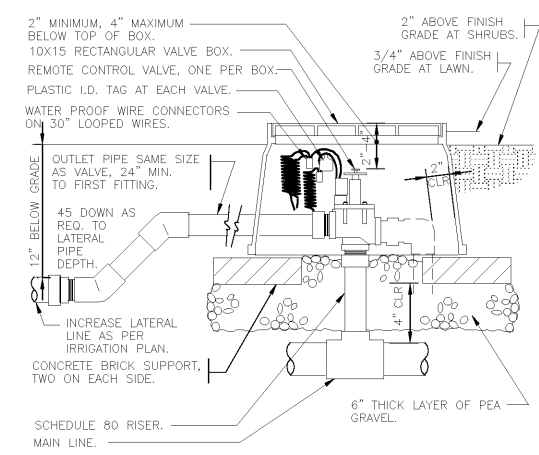
- 1. CONTRACTOR TO PROVIDE SITE IRRIGATION FOR ALL LANDSCAPE AREAS. IRRIGATION FOR THIS AREA TO PROVIDE 100% COVERAGE OF ALL PLANTED AREAS. SHRUB BEDS TO BE WATERED WITH SUBSURFACE IRRIGATION. LAWN AREAS TO BE KEPT ON SEPARATE ZONES FROM SHRUB BEDS, DO NOT SPRAY ONTO BUILDING. IRRIGATION SYSTEM TO BE DESIGNED INSTALLED PER ALL LOCAL, STATE AND FEDERAL CODES.
2. REFER TO PLUMBING PLANS FOR BACKFLOW PREVENTER INFORMATION (IF LOCATED WITHIN THE BUILDING). IF BACKFLOW PREVENTER IS LOCATED OUTSIDE, REFER TO SHEET L2.1 IRRIGATION NOTES AND DETAILS.
3. THE FOLLOWING EQUIPMENT IS TO BE USED UNLESS SUBSTITUTIONS ARE APPROVED BY OWNER:
4. CONTROLLER - HUNTER I-CORE IN STRONG BOX WITH HUNTER SOLAR SYNC. RAIN/FREEZE SWITCH - RAIN BIRD WR2 BACKFLOW PREVENTER - FEBCO VALVES - RAIN BIRD PGA SERIES MOISTURE SENSOR - RAIN BIRD SMRT-Y (TO BE USED ON ALL PROJECTS AROUND THE BUILDING FOR FOUNDATION PLANTINGS) TURF SPRAY HEADS - RAIN BIRD 1800 SERIES PLANTING BED SPRAY HEADS - RAIN BIRD 1800 SERIES LARGE ROTOR HEADS - RAIN BIRD 5500, 6500 OR 8000 SERIES SMALL ROTOR HEADS - RAIN BIRD 5000 SERIES SUBSURFACE DRIP - XFS-P-09-12-100 PRESSURE REGULATOR KIT - RAIN BIRD 2CZ INSTALL U-SERIES NOZZLES WHERE APPLICABLE.
5. CONTRACTOR QUALIFICATIONS: INSTALLATION OF THE IRRIGATION SYSTEM SHALL BE UNDER THE SUPERVISION OF A SUPERINTENDENT CURRENTLY LICENSED AS A LANDSCAPE IRRIGATOR IN THE STATE OR LOCAL JURISDICTION.
6. GUARANTEE: GUARANTEE THE ENTIRE SPRINKLER SYSTEM AGAINST DEFECTS IN THE MATERIALS AND WORKMANSHIP FOR ONE (1) YEAR AFTER FINAL ACCEPTANCE.
7. EXISTING UTILITIES: CONTRACTOR IS RESPONSIBLE FOR LOCATING UNDERGROUND UTILITIES PRIOR TO CONSTRUCTION, AND UTILITIES DAMAGED BY CONTRACT ARE TO BE REPAIRED AT HIS EXPENSE WITH NO COST TO OWNER.
WORKMANSHIP: PROVIDE FULL AND COMPLETE COVERAGE OF ALL IRRIGATED AREAS. COMPLY WITH REQUIREMENTS OF THE UNIFORM PLUMBING CODE AND ALL OTHER APPLICABLE CODES.
8. TRENCHING: PROTECT ANY EXISTING PLANT MATERIAL. ROUTE EXCAVATION TRENCHES TO AVOID DAMAGE TO EXISTING TREES. COORDINATE CONFIGURATION OF PLANTING BEDS WITH LANDSCAPE CONTRACTOR TO ENSURE PROPER LOCATION OF TURF AND SHRUB IRRIGATION HEADS. STAKE ALL SPRINKLER HEAD LOCATIONS AND TRENCH TO A MINIMUM WIDTH OF 4" AND 18" BELOW FINISH GRADE FOR THE MAIN SUPPLY AND A MINIMUM WIDTH OF 3" AND 12" BELOW FINISH GRADE FOR LATERALS AND WIRING.
9. PIPING: ALL PIPING IS TO BE SIZED FOR A MAXIMUM WATER VELOCITY OF 5 FEET PER SECOND. LAY PIPE ON A SOLID SUBBASE, UNIFORMLY SLOPED WITHOUT HUMPS AND DEPRESSIONS. KEEP PIPE INTERIOR CLEAN AT ALL TIMES.
10. BACKFLOW PREVENTER: INSTALL BACKFLOW PREVENTER AS PER CITY CODES AND STANDARDS. INSTALL 12"x18" PLASTIC ACCESS BOX FLUSH WITH GRADE AND BACKFILL WITH 2" OF GRAVEL IN BOTTOM OF BOX. COORDINATE LOCATION WITH CIVIL ENGINEER, UNLESS OTHERWISE REQUIRED BY LOCAL CODES.
11. VALVES: CLEAN AND TEST PRIOR TO INSTALLATION. INSTALL PLUMB AND STRAIGHT. SET PLASTIC VALVE BOX WITH 2" GRAVEL SUMP AND STABILIZE WITH COMPACTED SOIL.
12. BACKFILL: USE BACKFILL FREE FROM ROCKS AND OTHER UNSUITABLE MATERIALS WHICH COULD DAMAGE PIPE OR CREATE SETTLING PROBLEMS. APPLY BACKFILL MATERIAL IN 6" LAYERS AND TAMP EACH LAYER TO PREVENT SETTLING. USE TOPSOIL (NOT SUBSOIL) WITHIN THE TOP 6" OF BACKFILL. ACHIEVE FINISH GRADE AND REPAIR ALL DAMAGED EXISTING TURF AND PLANTINGS. REMOVED EXCESS EXCAVATION AND BACKFILL MATERIAL FROM THE SITE IMMEDIATELY.
13. SPRINKLER HEADS: FLUSH LATERAL LINES WITH FULL HEAD OF WATER AND INSTALL HEADS. LOCATE SPRINKLER HEADS TO MAINTAIN A DISTANCE OF 6" FROM WALLS AND 2" FROM OTHER BOUNDARIES.
14. WIRING: LAY WIRING BESIDE PIPE IN TRENCHES. PROVIDE A MINIMUM COVERING OF 12" FOR WIRING LAD IN SEPARATE TRENCHES. WATERPROOF ALL CONNECTIONS WITH SPEARS DRI-SPUCE WIRE CONNECTORS AS RECOMMENDED BY MANUFACTURER. BUNDLE AND TAPE MULTIPLE WIRES AT A MAXIMUM OF 10 FOOT INTERVALS. PROVIDE A 30" EXPANSION LOOP AT EACH ELECTRIC REMOTE CONTROL VALVE AND A EVERY 100' INTERVAL BY WRAPPING WIRE AROUND 1/2" PIPE 15 TIMES.
15. AUTOMATIC CONTROLLER: PROVIDE 120 VOLT ELECTRICAL CURRENT TO THE CONTROLLER IN CONDUIT IN ACCORDANCE WITH LOCAL, STATE, AND FEDERAL CODES.
16. CLEAN-UP: KEEP THE PREMISES AND PUBLIC STREETS FREE FROM ACCUMULATION OF WASTE MATERIAL. AT THE COMPLETION OF THE WORK REMOVE ALL WASTE, EXCESS MATERIAL, RUBBISH AND EQUIPMENT AND LEAVE THE SITE CLEAN.
17. FINAL ACCEPTANCE: PERFORM OPERATIONAL TEST WITH THE OWNER PRESENT AFTER SYSTEM IS COMPLETE AND IRRIGATION HEADS ADJUSTED TO FINAL POSITION. DEMONSTRATE TO OWNER THAT THE ENTIRE SYSTEM MEETS COVERAGE REQUIREMENTS, AND FUNCTIONS PROPERLY. PROVIDE THE OWNER WITH COMPLETE WRITTEN INSTRUCTIONS FOR PROPER OPERATION AND MAINTENANCE OF THE SPRINKLER SYSTEM.



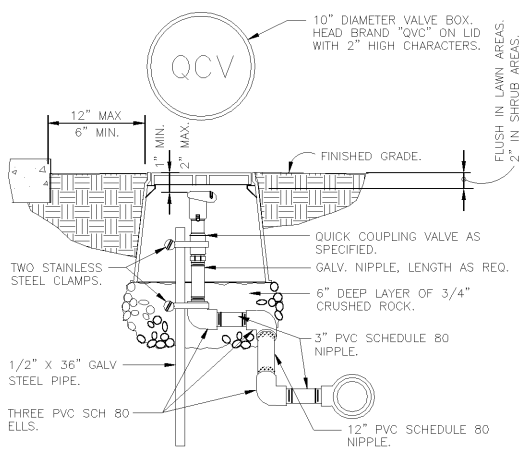
1 TURF SPRAY MARLEX ASSEMBLY 3" = 1'-0" 328403.13-01



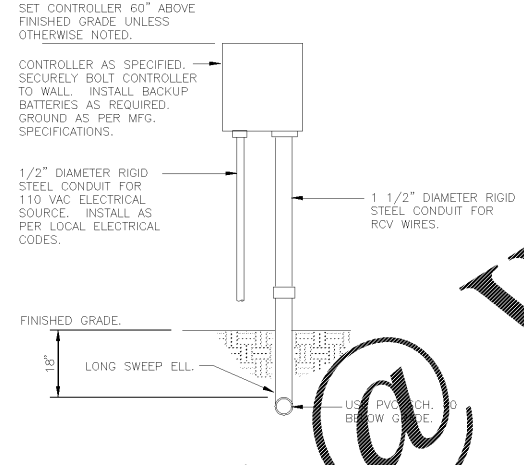
2 SHRUB SPRAY HIGHPOP W/FLEX ASSEMBLY 3" = 1'-0" 328403.29-01



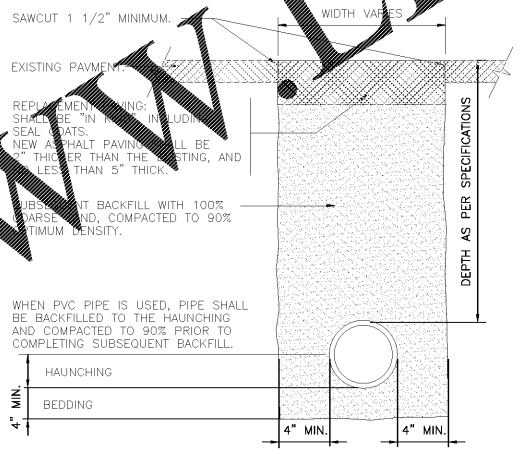
3 ELECTRIC REMOTE CONTROL VALVE 1 1/2" = 1'-0" 328403.13-01



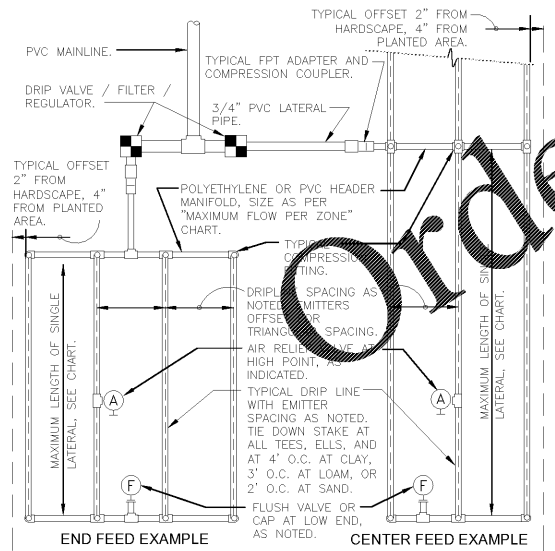
4 QUICK COUPLING VALVE IN BOX 1 1/2" = 1'-0" 328406.43-02



5 WALL MOUNT CONTROLLER 1" = 1'-0" 328409.13-01



6 TRENCH DETAIL AT ASPHALT PAVING 1 1/2" = 1'-0" 328409.76-02



7 TYPICAL RAIN BIRD DRIPLINE REQUIREMENTS N.T.S. 328413.56-01

Table: MAXIMUM LATERAL LENGTH (FEET) vs. EMITTER FLOW RATE (GPH) vs. PSI. Columns for 12 inch spacing, 18 inch spacing, 24 inch spacing.

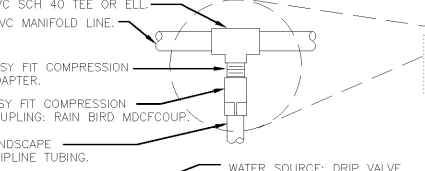
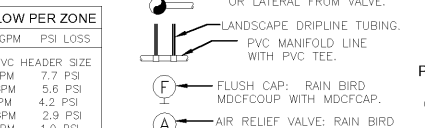
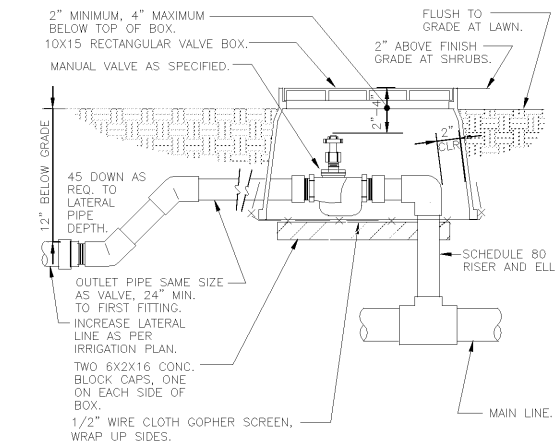
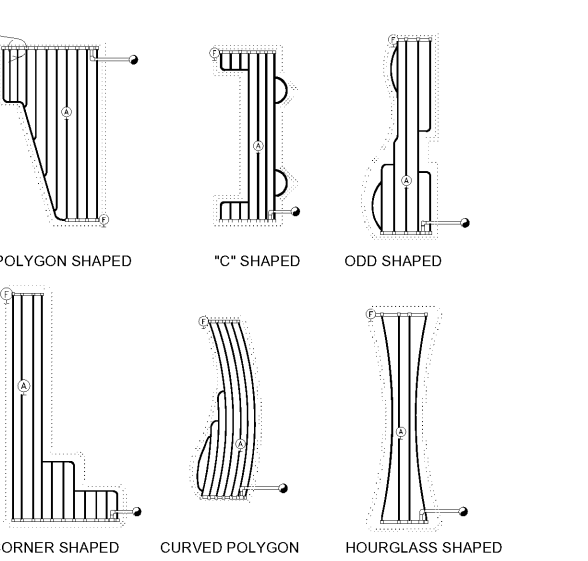


Table: MAXIMUM FLOW PER ZONE vs. MAXIMUM FLOW PER 100 FT (GPM). Includes emitter flow rate and lateral spacing.



- SLOPED CONDITION NOTE: 1. DRIPLINE LATERALS SHOULD FOLLOW THE CONTOURS OF THE SLOPE WHENEVER POSSIBLE. 2. INSTALL AIR RELIEF VALVE AT HIGHEST POINT. 3. NORMAL SPACING WITHIN THE TOP 1/3 OF SLOPE. 4. INSTALL DRIPLINE AT 25% GREATER SPACING AT THE BOTTOM 1/3 OF THE SLOPE. 5. WHEN ELEVATION CHANGE IS 10 FT OR MORE, ZONE THE BOTTOM 1/3 ON A SEPARATE VALVE.



8 MANUAL CONTROL VALVE IN BOX 1 1/2" = 1'-0" 328406.19-02

WWW.IDIDILLIANS.COM