

ISSUE/REVISION RECORD

Table with columns: DATE, DESCRIPTION, COORDINATION SET, BID SET.

PROFESSIONAL SEAL

LICENSE NO.: 402019570

PROFESSIONAL IN CHARGE
JOHN NOURZAD

PROJECT MANAGER
ANDRE PIMENTEL

QUALITY CONTROL
ANDRE PIMENTEL

DRAWN BY
KYLE PITZ

PROJECT NAME

BUBBA'S 33

GASTONIA
NORTH CAROLINA

3287 E. FRANKLIN BLVD



PROJECT NUMBER
20181046.0

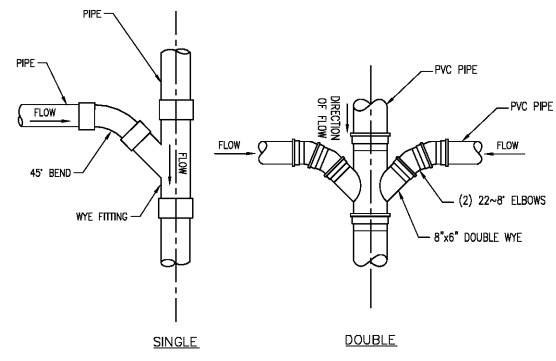
SHEET TITLE

CONSTRUCTION DETAILS

SHEET NUMBER

C5.0

NOT ISSUED FOR CONSTRUCTION

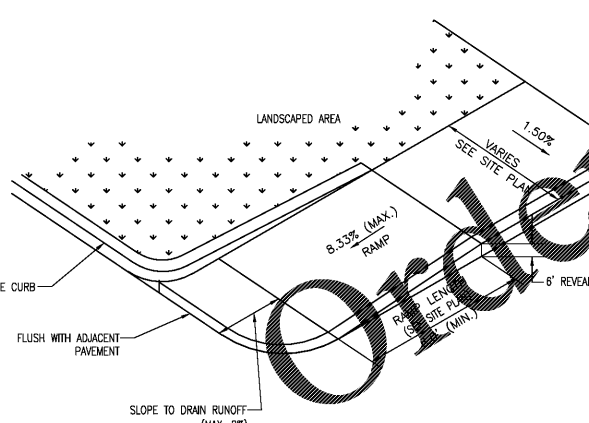


- NOTE: 1. CONTRACTOR SHALL PROVIDE RISER PIPE AND ADDITIONAL FITTINGS AS NECESSARY TO CONNECT ROOF DRAIN LEADERS TO ROOF DRAIN COLLECTOR PIPE. 2. SEE PLANS FOR PIPE SIZE AND MATERIAL.

WYE CONNECTION DETAILS
NOT TO SCALE

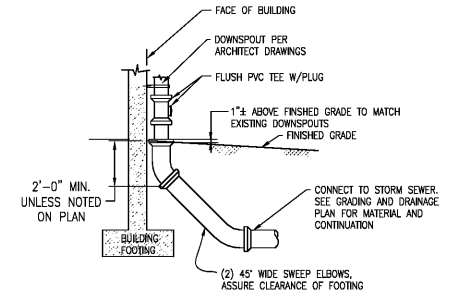
ZURN Z508 9 [228] EXTRA-HEAVY-DUTY DRAIN. Includes technical drawing of the drain with dimensions (Ø12 [305], Ø9 [229], 2 [51]), a table of options, and engineering specifications.

HEAVY DUTY DUMPSTER DRAIN
NOT TO SCALE

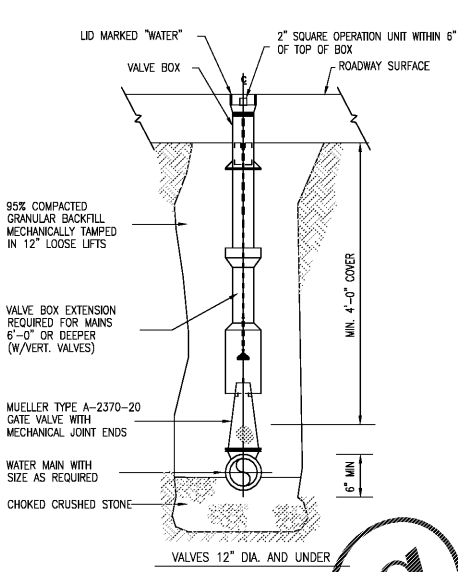


- NOTE: 1. SIDEWALK AND RAMP CROSS SLOPES NOT TO EXCEED 2%. 2. RAMP RUNNING SLOPE NOT TO EXCEED 1:12 (8.33%). 3. RAMP CROSS SECTION TO BE SAME AS ADJ. SIDEWALK; E: DEPTH OF SURFACE AND FOUNDATION. 4. DIMENSIONS ARE SUBJECT TO CHANGE IN FIELD. ALL SLOPES AND DIMENSIONS TO COMPLY W/ ADA REQUIREMENTS.

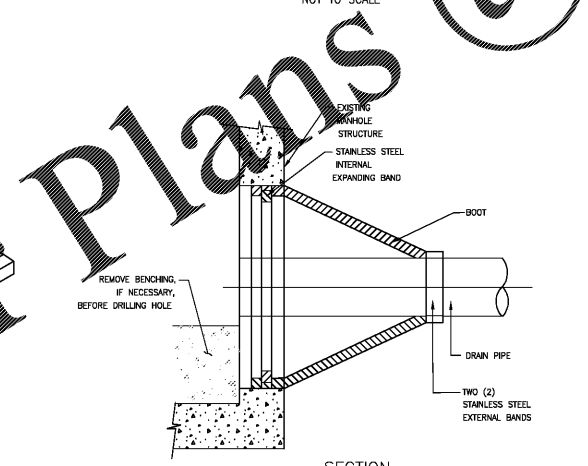
HANDICAPP ACCESSIBLE RAMP
NOT TO SCALE



DOWNSPOUT LEADER DETAIL
NOT TO SCALE

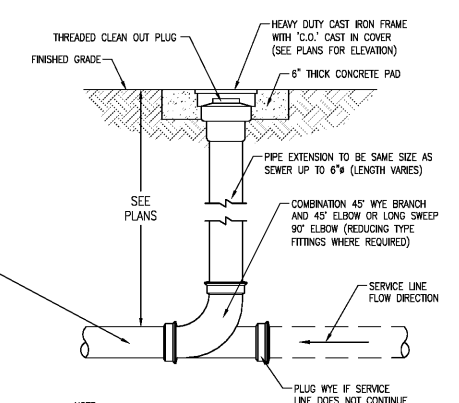


UNDERGROUND GATE VALVE DETAIL
NOT TO SCALE

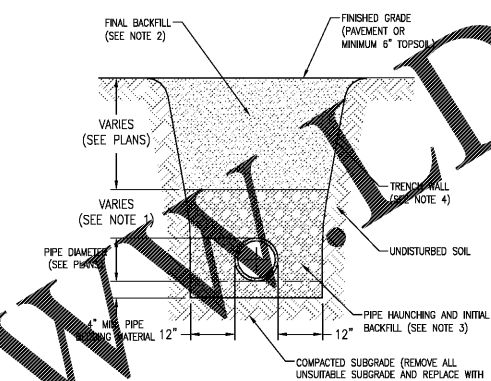


- NOTE: 1. CORE-DRILL CIRCULAR OPENING IN MANHOLE WALL OF DIAMETER TO FIT THE REQUIRED BOOT SIZE. 2. NON-SEAL FLEXIBLE RUBBER BOOT (MANUFACTURED BY NATIONAL POLLUTION CONTROL SYSTEMS, INC. OR AS APPROVED BY THE ENGINEERING DEPARTMENT) SHALL BE USED FOR WATERTIGHT CONNECTION. 3. CUT, SHAPE AND SLOPE NEW INVERT CHANNEL IN THE EXISTING CONCRETE BENCH FOR SMOOTH FLOW FROM NEW DRAIN PIPE CONNECTION. 4. CLEAN EXISTING MANHOLE OF ANY DIRT, CONCRETE OR DEBRIS WHICH MAY ACCUMULATE DURING THE CONSTRUCTION PROCESS.

STORM/SANITARY SEWER CONNECTION
TO EXISTING STRUCTURE
NOT TO SCALE

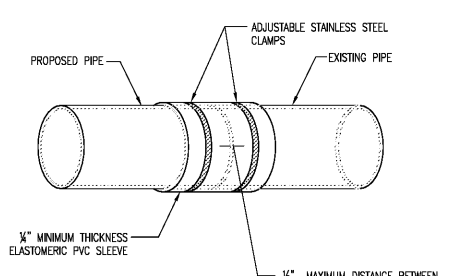


STORM/SANITARY CLEAN OUT DETAIL
NOT TO SCALE



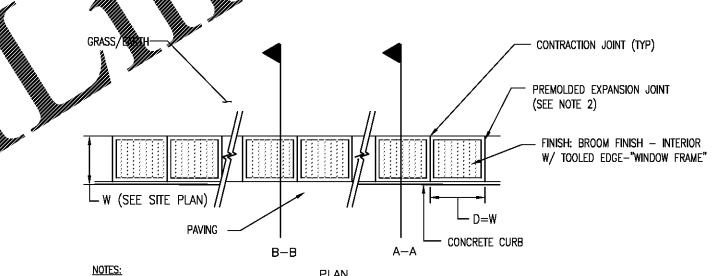
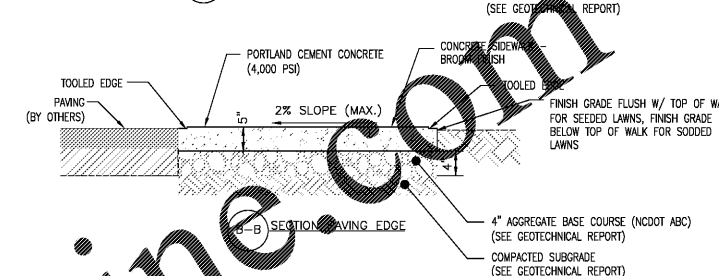
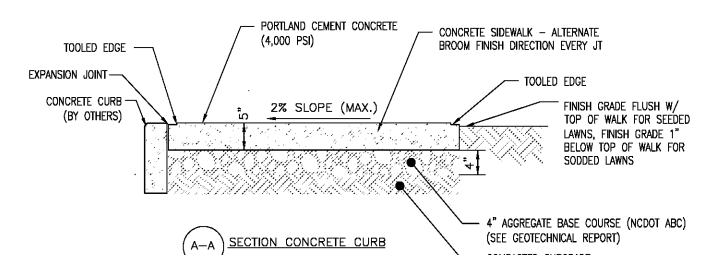
- NOTE: 1. 12\"/>

FLEXIBLE PIPE TRENCH DETAIL
NOT TO SCALE



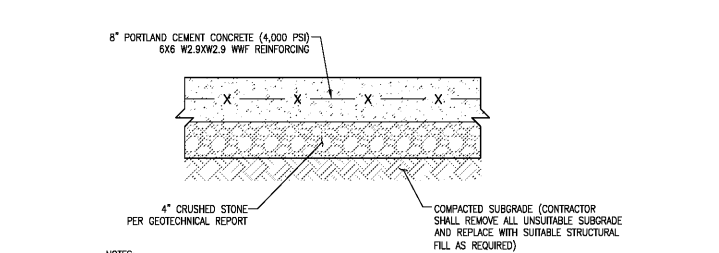
NOTE: THE PROPOSED PIPE MAY HAVE AN OUTSIDE DIAMETER (O.D.) THAT IS DIFFERENT THAN THE O.D. OF THE EXISTING PIPE. THE CONTRACTOR SHALL VERIFY THE O.D. PRIOR TO ORDERING THE COUPLING.

SANITARY & STORM SEWER
COUPLING DETAILS
NOT TO SCALE



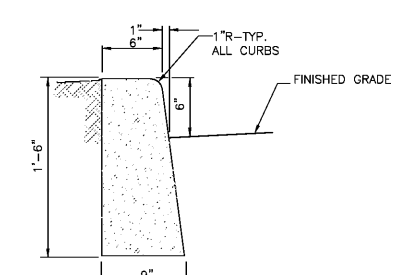
- NOTE: 1. SIDEWALK CROSS SLOPE SHALL BE 2% MAX. 2. PROVIDE 1/2\"/>

SIDEWALK DETAIL
NOT TO SCALE



- NOTE: 1. PAVEMENT MATERIALS AND PLACEMENT SHALL CONFORM TO LOCAL DOT SPECIFICATIONS. 2. EACH LAYER OF PAVEMENT SECTION SHALL BE APPROVED BY OWNERS REPRESENTATIVE PRIOR TO PLACEMENT OF NEXT LAYER. 3. FINAL PAVEMENT DESIGN SHALL BE COORDINATED AND APPROVED BY GEOTECHNICAL ENGINEER, GENERAL CONTRACTOR AND OWNER PRIOR TO PAVEMENT CONSTRUCTION. 4. REFER GEOTECHNICAL REPORT FOR ADDITIONAL INFORMATION ON SUBGRADE PREPARATION AND REINFORCEMENT MEASURES OF RIGID PAVEMENT IN AREAS OF CONCENTRATED AND REPETITIVE LOADING CONDITIONS SUCH AS DUMPSTER PADS AND INGRESS/EGRESS APRONS.

DUMPSTER ENCLOSURE
RIGID CONCRETE PAVEMENT DETAIL
NOT TO SCALE



- NOTE: 1. CONCRETE SHALL BE 3,000 P.S.I. - 2\"/>

CONCRETE CURB DETAIL
NOT TO SCALE

WWW.DIline.com