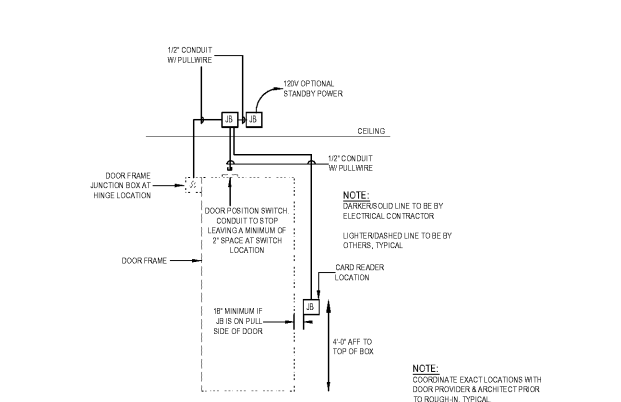
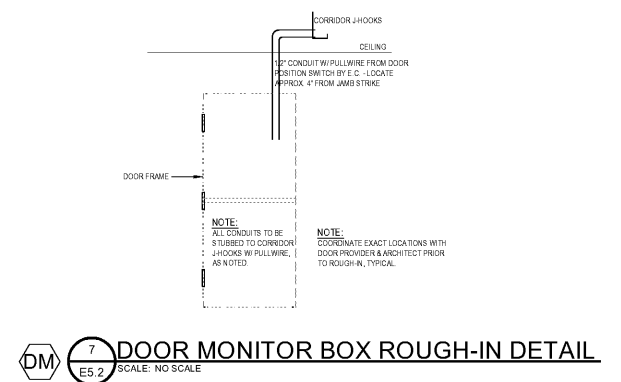


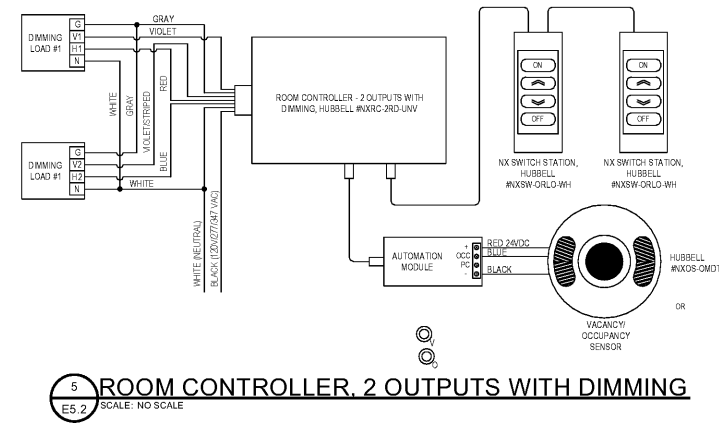
GRAPHIC SCALE 1/8"=1'-0"  
 GRAPHIC SCALE 1/8"=1'-0"  
 GRAPHIC SCALE 1/16"=1'-0"



**OCCUPANCY SENSOR NOTES**

NOTES:

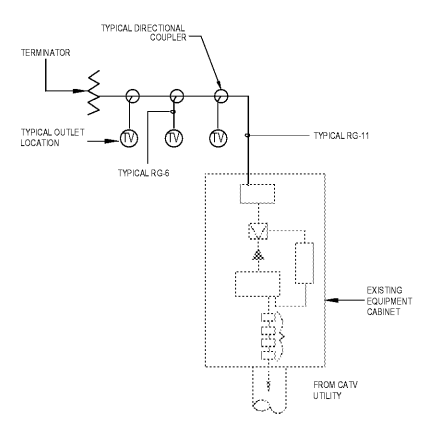
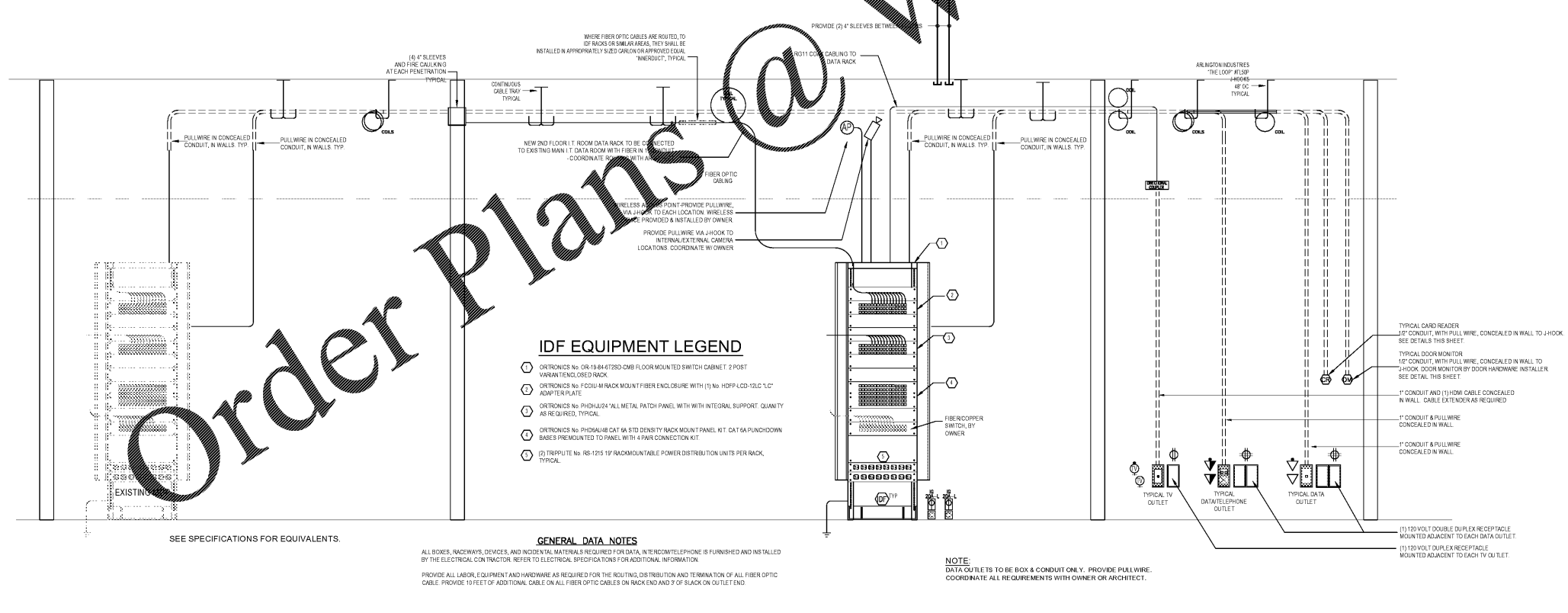
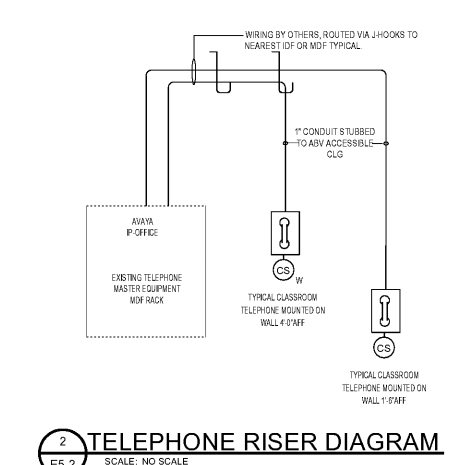
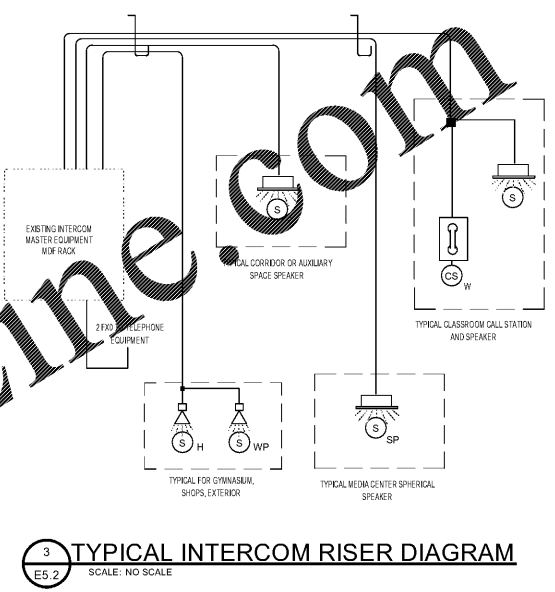
1. ALL SENSOR LOCATIONS ARE APPROXIMATE. REFER TO MANUFACTURER'S INSTALLATION INSTRUCTIONS PRIOR TO INSTALLATION.
2. ULTRASONIC CEILING MOUNT SENSORS SHOULD BE LOCATED A MINIMUM OF SIX (6) FEET FROM HVAC SUPPLY/RETURN VENTS.
3. CONTRACTOR IS RESPONSIBLE FOR PROPER SENSITIVITY AND TIME DELAY SETTINGS FOR NON-ADAPTIVE PRODUCTS. FOLLOWING THE MANUFACTURER'S RECOMMENDED PLACEMENT, AND FIELD VERIFICATION OF CIRCUITS WITH RESPECT TO POWER PACK PLACEMENT.
4. CONTRACTOR IS RESPONSIBLE FOR FIELD VERIFICATION OF REQUIRED NUMBER OF POWER PACKS.
  - A. ONE POWER PACK IS REQUIRED FOR EACH CONTROLLED CIRCUIT.
  - B. EACH POWER PACK CAN SUPPLY UP TO 150MA. REFER TO INSTALLATION GUIDE FOR MAXIMUM NUMBER OF SENSORS CONNECTED TO POWER PACK.
  - C. IF MULTIPLE CIRCUITS ARE TO BE CONTROLLED BY A SINGLE SENSOR, AUXILIARY RELAYS MAY BE USED IN CONJUNCTION WITH A POWER PACK.
5. SENSORS MOUNTED OVER DOORWAYS SHOULD BE PLACED ONE (1) FOOT INSIDE THRESHOLD.



**INTERCOMMUNICATIONS SYMBOL SCHEDULE**

SYMBOL	DESCRIPTION	MOUNTING
(S)	SPEAKER ASSEMBLY, TALK-BACK, VALCOM #V9022	CEILING
(S <sub>W</sub> )	CALL-IN PHONE EQUAL TO AVAYA 9600 24 BUTTON EXPANSION, APPLICABLE WALL PLATE ASSEMBLY. VERIFY EXACT MOUNTING WITH ARCHITECT.	WALL 4'-0" AFF
(S <sub>W</sub> )	CALL-IN PHONE EQUAL TO AVAYA 9600G WITH APPLICABLE WALL PLATE ASSEMBLY. VERIFY EXACT MOUNTING WITH ARCHITECT.	WALL 1'-6" AFF
(S)	SPEAKER ASSEMBLY, HORN TYPE, VALCOM SV-1030C	CLG/WALL
(S <sub>C</sub> )	CORRIDOR SPEAKER, ONE-WAY, VALCOM #V9022	CEILING
(S <sub>WP</sub> )	WHERE WP' SUBSCRIPT IS INDICATED, PROVIDE WATER PROOF BACK BOX AND ENCLOSURE	

NOTE:  
 1. PREFERRED BRAND ALTERNATE TO BE VALCOM.



**IDF EQUIPMENT LEGEND**

1. ORTRONICS No. OR-18-84-1730-02B RACK MOUNTED SWITCH CABINET 2 POST VARIAN TENCLOUSED RACK.
2. ORTRONICS No. FOCU-M RACK MOUNT FIBER ENCLOSURE WITH (1) No. HOFF-LCD-12C 1" ADAPTER PLATE.
3. ORTRONICS No. PHD1424 XAL METAL PATCH PANEL WITH INTEGRAL SUPPORT QUANTITY AS REQUIRED, TYPICAL.
4. ORTRONICS No. PHD848 CAT 6A STD DENSITY RACK MOUNT PANEL KIT CAT 6A PUNCH-DOWN BASES PREMOUNTED TO PANEL WITH 4 PAIR CONNECTION KIT.
5. (2) TRIPPLITE No. RB-1215 15" RACK MOUNTABLE POWER DISTRIBUTION UNITS PER RACK, TYPICAL.

**GENERAL DATA NOTES**

ALL BOXES, RACKWAYS, DEVICES, AND INCIDENTAL MATERIALS REQUIRED FOR DATA/TELEPHONE IS FURNISHED AND INSTALLED BY THE ELECTRICAL CONTRACTOR. REFER TO ELECTRICAL SPECIFICATIONS FOR ADDITIONAL INFORMATION.

PROVIDE ALL LABOR, EQUIPMENT AND HARDWARE AS REQUIRED FOR THE ROUTING, DISTRIBUTION AND TERMINATION OF ALL FIBER OPTIC CABLE. PROVIDE 10 FEET OF ADDITIONAL CABLE ON ALL FIBER OPTIC CABLES ON RACK END AND 7' OF SLACK ON OUTLET END.

NOTE:  
 DATA OUTLETS TO BE BOX & CONDUIT ONLY. PROVIDE PULL WIRE. COORDINATE ALL REQUIREMENTS WITH OWNER OR ARCHITECT.

SEE SPECIFICATIONS FOR EQUIVALENTS.

**cra**

222 cloister court  
 chapel hill, nc 27514  
 919.401.8586  
 www.cra-ae.com

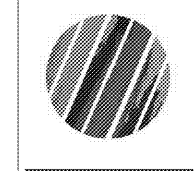
**ARM & M ENGINEERS**  
 Reece, Noland & McElrath, Inc.

94 Main Street  
 Canton, North Carolina 28716  
 PHONE: 919.401.8586 FAX: 919.401.8587  
 WWW: WWW.ARMENGINEERS.COM



**Cedar Ridge High School  
 Classroom Addition  
 Orange County Schools**

1125 New Grady Brown School Road  
 Hillsborough, North Carolina



no. revisions

The use of these plans and specifications shall be restricted to the project and site for which they were prepared. No part of these plans or specifications shall be reproduced, stored in a retrieval system, or used in any way without the prior written consent of the architect. The architect shall not be responsible for any errors or omissions in these plans or specifications, or for any consequences arising from their use. The contractor shall verify all dimensions and conditions of the site prior to construction.

drawn checked  
 FW/C JSD  
 Electrical  
 Details

sheet  
**E5.2**

project no. 1716

date 4/25/19